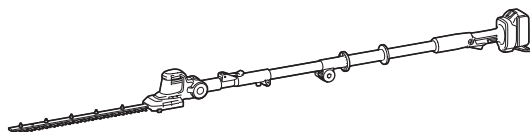




EN	Cordless Pole Hedge Trimmer	INSTRUCTION MANUAL	6
PL	Akumulatorowe Nożyce Do Żywopłotu Na Wysięgniku	INSTRUKCJA OBSŁUGI	15
HU	Akkumulátoros nyeles sövénynyíró	HASZNÁLATI KÉZIKÖNYV	26
SK	Akumulátorový tyčový plotostřih	NÁVOD NA OBSLUHU	36
CS	Akumulátorový plotostřih na tyči	NÁVOD K OBSLUZE	46
UK	Акумуляторна штангова пила для підрізання живоплоту	ІНСТРУКЦІЯ З ЕКСПЛУАТАЦІЇ	55
RO	Mașină de tuns gardul viu înalt cu acumulator	MANUAL DE INSTRUCȚIUNI	66
DE	Akku-Heckenschneider	BETRIEBSANLEITUNG	76

DUN461W



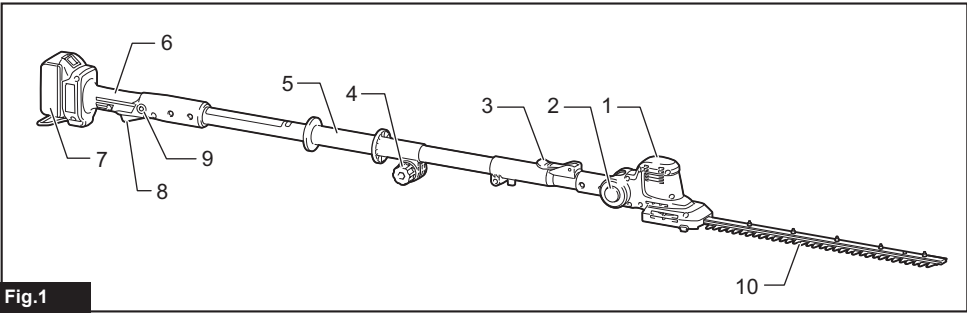


Fig.1

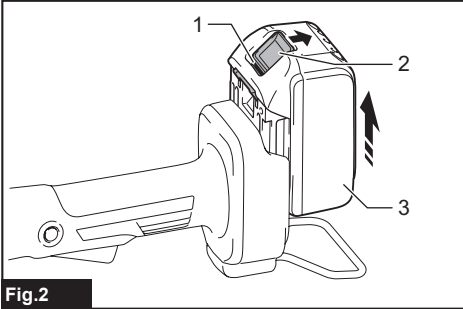


Fig.2

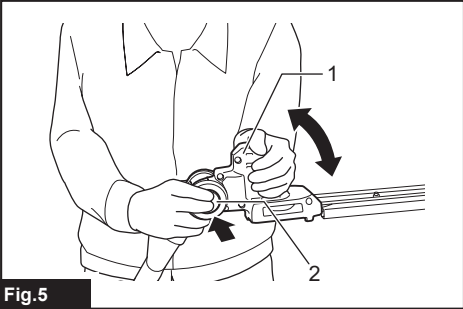


Fig.5

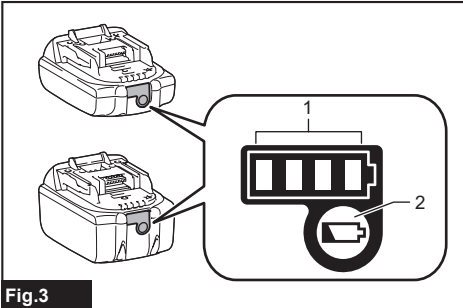


Fig.3

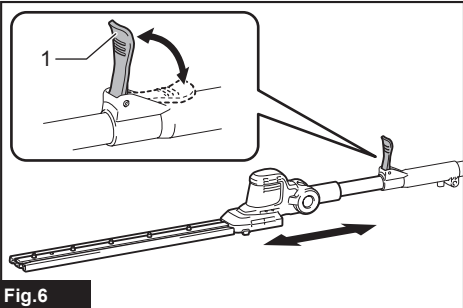


Fig.6

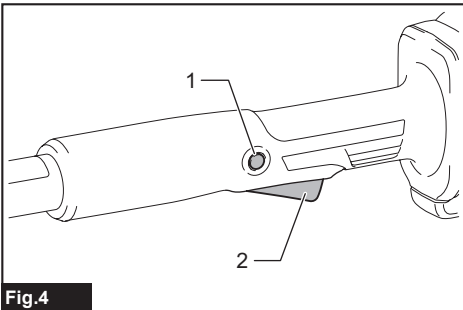


Fig.4

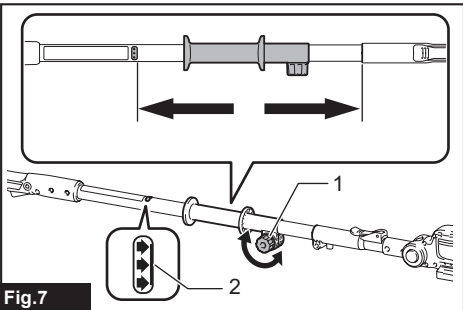
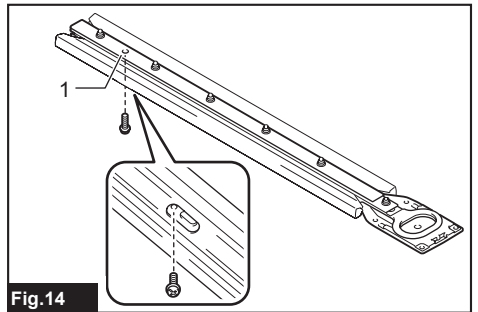
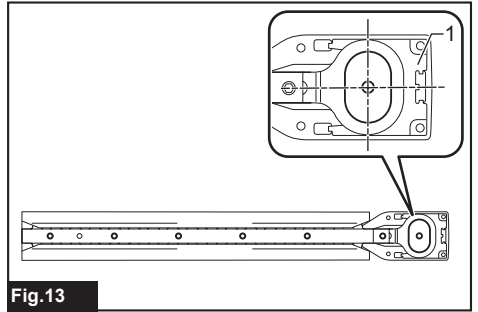
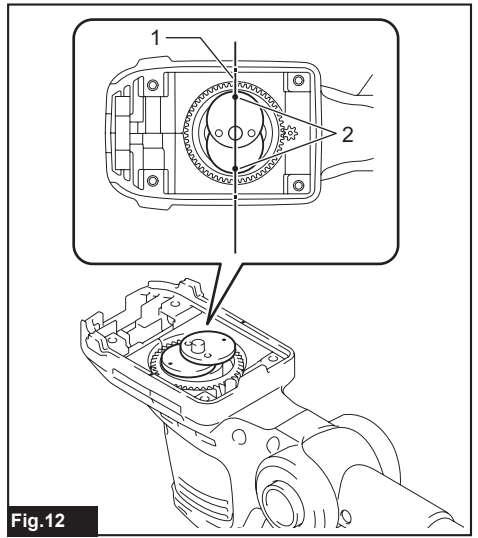
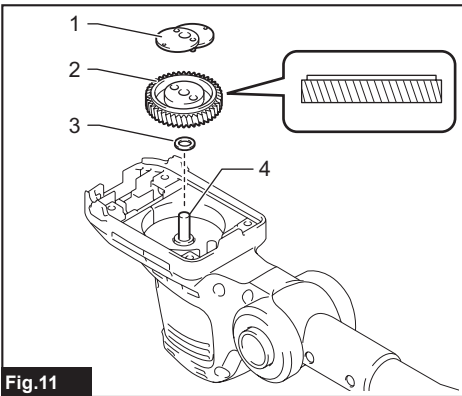
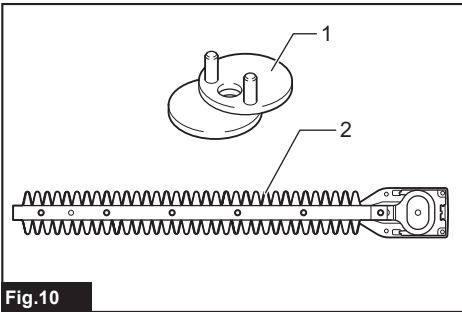
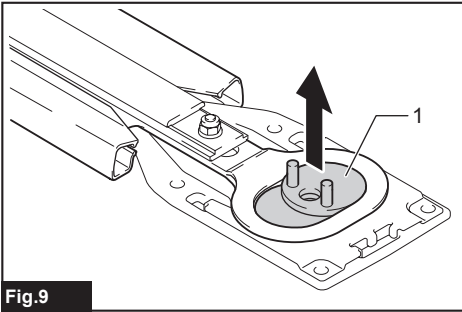
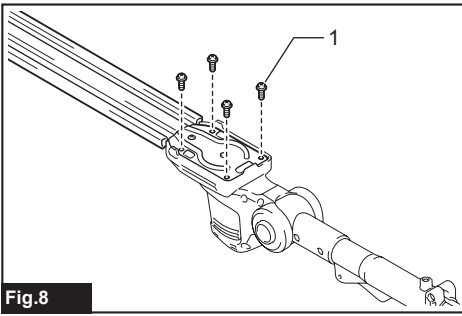


Fig.7



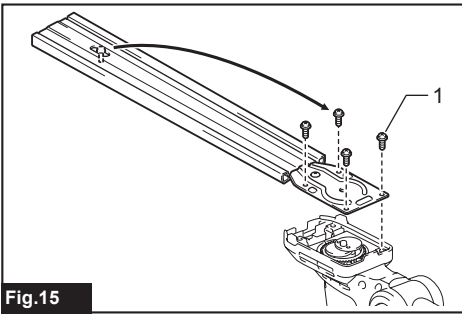


Fig. 15

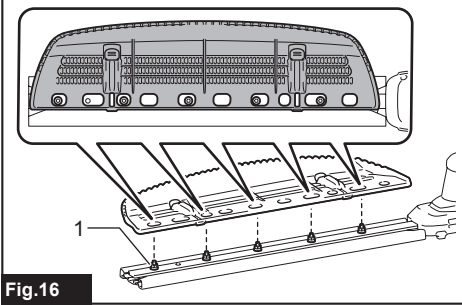


Fig. 16

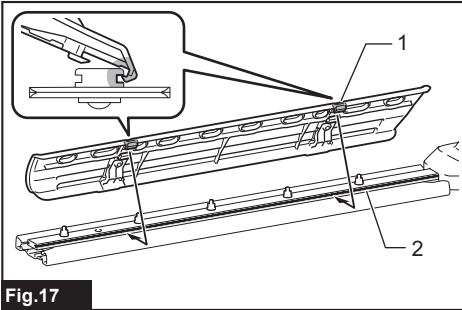


Fig. 17

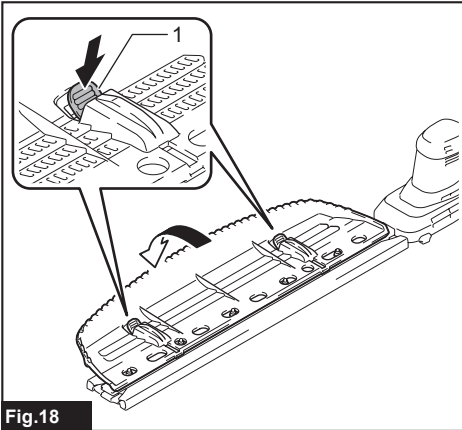


Fig. 18

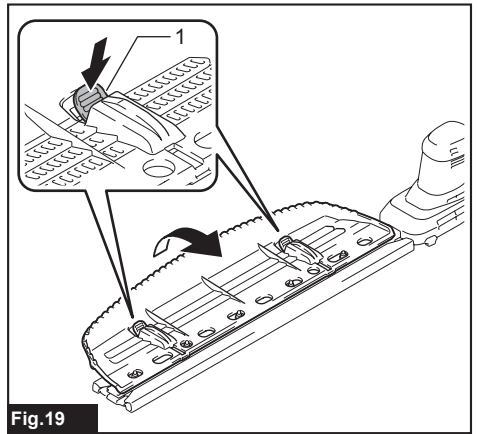


Fig. 19

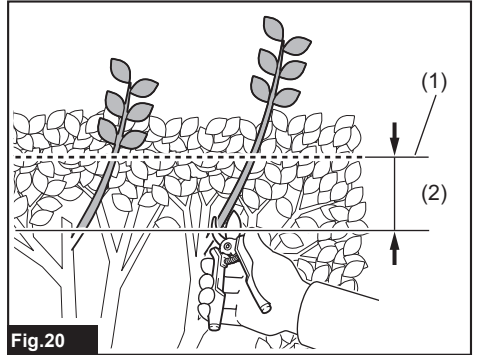


Fig. 20

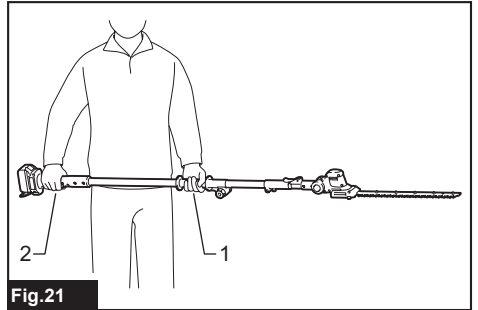


Fig. 21

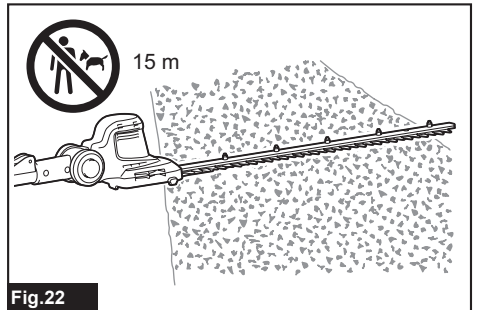


Fig. 22

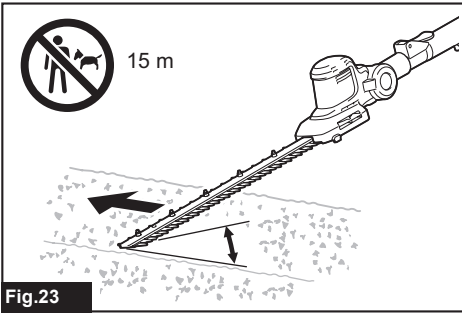


Fig.23

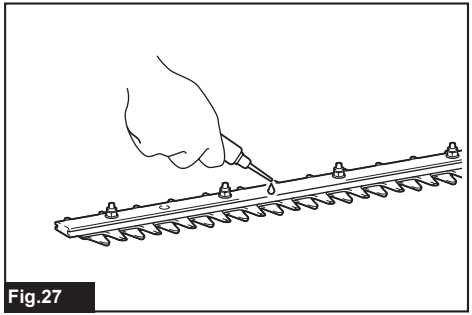


Fig.27

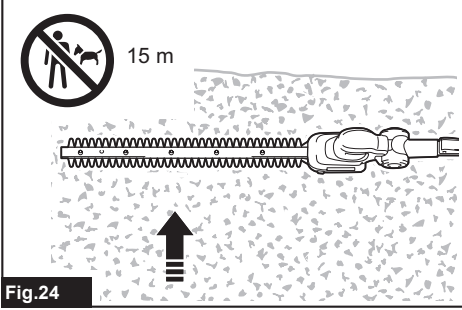


Fig.24

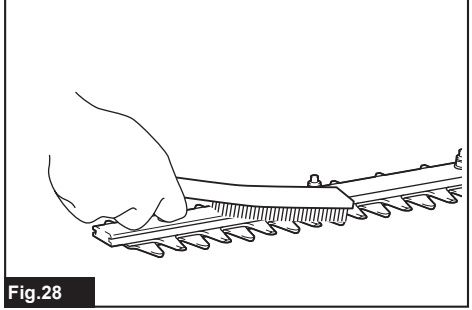


Fig.28

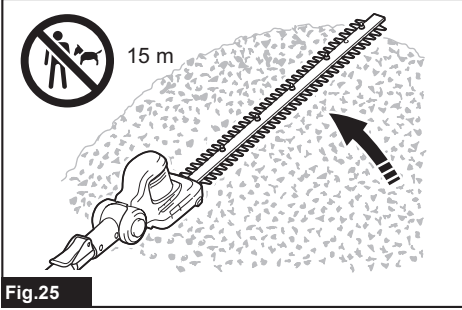


Fig.25

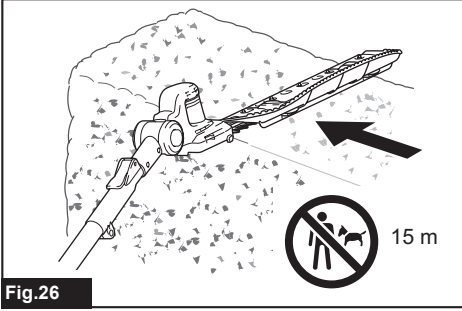


Fig.26

SPECIFICATIONS

Model:	DUN461W
Blade length	460 mm
Strokes per minute	3,600 min ⁻¹
Cutting blade angle	135° (up 60°, down 75°)
Overall length	1,889 - 2,511 mm
Rated voltage	D.C. 18 V
Net weight	3.0 - 3.3 kg

- Due to our continuing program of research and development, the specifications herein are subject to change without notice.
- Specifications may differ from country to country.
- The weight may differ depending on the attachment(s), including the battery cartridge. The lightest and heaviest combinations, according to EPTA-Procedure 01/2014, are shown in the table.

Applicable battery cartridge and charger

Battery cartridge	BL1815N / BL1820B / BL1830B / BL1840B / BL1850B / BL1860B
Charger	DC18RC / DC18RD / DC18RE / DC18SD / DC18SE / DC18SF / DC18SH / DC18WC

- Some of the battery cartridges and chargers listed above may not be available depending on your region of residence.

⚠WARNING: Only use the battery cartridges and chargers listed above. Use of any other battery cartridges and chargers may cause injury and/or fire.





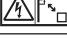
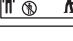
Recommended cord connected power source

Portable power pack	PDC01
---------------------	-------

- The cord connected power source(s) listed above may not be available depending on your region of residence.
- Before using the cord connected power source, read instruction and cautionary markings on them.

Symbols

The followings show the symbols which may be used for the equipment. Be sure that you understand their meaning before use.

	Read instruction manual.
	Do not expose to moisture.
	Wear a helmet, goggles and ear protection.
	DANGER - Keep hands away from blade.
	Beware of electrical lines, risk of electrical shock.
	Keep distance at least 15 m.



Only for EU countries
 Due to the presence of hazardous components in the equipment, waste electrical and electronic equipment, accumulators and batteries may have a negative impact on the environment and human health. Do not dispose of electrical and electronic appliances or batteries with household waste! In accordance with the European Directive on waste electrical and electronic equipment and on accumulators and batteries and waste accumulators and batteries, as well as their adaptation to national law, waste electrical equipment, batteries and accumulators should be stored separately and delivered to a separate collection point for municipal waste, operating in accordance with the regulations on environmental protection.
 This is indicated by the symbol of the crossed-out wheeled bin placed on the equipment.



Guaranteed sound power level according to EU Outdoor Noise Directive.



Sound power level according to Australia NSW Noise Control Regulation.

Intended use

The tool is intended for trimming hedges.

Noise

The typical A-weighted noise level determined according to EN62841-4-2:

Sound pressure level (L_{pA}) : 74 dB (A)

Uncertainty (K) : 3 dB (A)

The noise level under working may exceed 80 dB (A).

NOTE: The declared noise emission value(s) has been measured in accordance with a standard test method and may be used for comparing one tool with another.

NOTE: The declared noise emission value(s) may also be used in a preliminary assessment of exposure.

⚠WARNING: Wear ear protection.

⚠WARNING: The noise emission during actual use of the power tool can differ from the declared value(s) depending on the ways in which the tool is used especially what kind of workpiece is processed.

⚠WARNING: Be sure to identify safety measures to protect the operator that are based on an estimation of exposure in the actual conditions of use (taking account of all parts of the operating cycle such as the times when the tool is switched off and when it is running idle in addition to the trigger time).

Vibration

Applicable standard : EN62841-4-2

Left hand (Front grip)		Right hand (Rear grip)	
a_h (m/s^2)	Uncertainty K (m/s^2)	a_h (m/s^2)	Uncertainty K (m/s^2)
2.5 m/s^2 or less	1.5	2.5 m/s^2 or less	1.5

NOTE: The declared vibration total value(s) has been measured in accordance with a standard test method and may be used for comparing one tool with another.

NOTE: The declared vibration total value(s) may also be used in a preliminary assessment of exposure.

⚠WARNING: The vibration emission during actual use of the power tool can differ from the declared value(s) depending on the ways in which the tool is used especially what kind of workpiece is processed.

⚠WARNING: Be sure to identify safety measures to protect the operator that are based on an estimation of exposure in the actual conditions of use (taking account of all parts of the operating cycle such as the times when the tool is switched off and when it is running idle in addition to the trigger time).

EC Declaration of Conformity

For European countries only

The EC declaration of conformity is included as Annex A to this instruction manual.

SAFETY WARNINGS

General power tool safety warnings

⚠WARNING: Read all safety warnings, instructions, illustrations and specifications provided with this power tool. Failure to follow all instructions listed below may result in electric shock, fire and/or serious injury.

Save all warnings and instructions for future reference.

The term "power tool" in the warnings refers to your mains-operated (corded) power tool or battery-operated (cordless) power tool.

Cordless Pole Hedge Trimmer Safety Warnings

1. **Keep all parts of the body away from the blade. Do not remove cut material or hold material to be cut when blades are moving.** Blades continue to move after the switch is turned off. A moment of inattention while operating the hedge trimmer may result in serious personal injury.
2. **Carry the hedge trimmer by the handle with the blade stopped and taking care not to operate any power switch.** Proper carrying of the hedge trimmer will decrease the risk of inadvertent starting and resultant personal injury from the blades.
3. **When transporting or storing the hedge trimmer, always fit the blade cover.** Proper handling of the hedge trimmer will decrease the risk of personal injury from the blades.
4. **When clearing jammed material or servicing the unit, make sure all power switches are off and the battery pack is removed or disconnected.** Unexpected actuation of the hedge trimmer while clearing jammed material or servicing may result in serious personal injury.

5. **Hold the hedge trimmer by insulated gripping surfaces only, because the blade may contact hidden wiring.** Blades contacting a "live" wire may make exposed metal parts of the hedge trimmer "live" and could give the operator an electric shock.
6. **Keep all power cords and cables away from cutting area.** Power cords or cables may be hidden in hedges or bushes and can be accidentally cut by the blade.
7. **Do not use the hedge trimmer in bad weather conditions, especially when there is a risk of lightning.** This decreases the risk of being struck by lightning.
8. **To reduce the risk of electrocution, never use the pole hedge trimmer near any electrical power lines.** Contact with or use near power lines may cause serious injury or electric shock resulting in death.
9. **Always use two hands when operating the pole hedge trimmer.** Hold the pole hedge trimmer with both hands to avoid loss of control.
10. **Always use head protection when operating the pole hedge trimmer overhead.** Falling debris can result in serious personal injury.

Additional Safety Instructions

Preparation

1. **THIS HEDGE TRIMMER CAN CAUSE SERIOUS INJURIES.** Read the instructions carefully for the correct handling, preparation, maintenance, starting and stopping of the tool. Become familiar with all controls and the proper use of the tool.
2. **Check the hedges and bushes for foreign objects, such as wire fences or hidden wiring before operating the tool.**
3. **The tool must not be used by children or young persons under 18 years of age.** Young persons over 16 years of age may be exempted from this restriction if they are undergoing training under the supervision of an expert.
4. **In the event of an emergency, switch off the tool and remove the battery cartridge immediately.**
5. **DANGER - Keep hands away from blade.** Contact with blade will result in serious personal injury.
6. **First-time users should have an experienced user show them how to use the tool.**
7. **Before operation, examine the work area for wire fences, stones, or other solid objects. They can damage the blades.**
8. **Use the tool only if you are in good physical condition.** If you are tired, your attention will be reduced. Be especially careful at the end of a working day. Perform all work calmly and carefully. The user is responsible for all damages to third parties.
9. **Before starting work, check to make sure that the tool is in good and safe working order. Ensure guards are fitted properly. The tool must not be used unless fully assembled.**
10. **Avoid dangerous environment. Don't use the tool in damp or wet locations or expose it to rain. Water entering the tool will increase the risk of electric shock.**

Personal protective equipment

1. **Work gloves of stout leather are part of the basic equipment of the tool and must always be worn when working with it. Also wear sturdy shoes with anti-skid soles.**
2. **Wear ear protection such as ear muffs to prevent hearing loss.**
3. **Wear protective goggles, safety helmet and protective gloves to protect yourself from flying debris or falling objects.**
4. **When touching blades or adjusting the blade angle, wear protective gloves.** Blades can cut bare hands severely.

Operation

1. **Always use two hands to operate the tool.** Using one hand could cause loss of control and result in serious personal injury.
2. **While operating the tool, always ensure that the operating position is safe and secure. Overreaching with the tool, particularly from a ladder, is extremely dangerous. Do not work from anything wobbly or infirm.**
3. **Do not simultaneously wear multiple belt harnesses and/or shoulder harnesses when operating the tool.**
4. **During operation, keep bystanders or animals at least 15 m away from the tool. Stop the tool as soon as someone approaches.**
5. **If cutting tool strikes any object or the tool starts making unusual noise or vibration, switch off the tool and remove the battery cartridge immediately and allow the tool to stop. And then take the following steps:**
 - inspect for damage
 - check for, and tighten, any loose parts
 - have any damaged parts replaced or repaired with genuine spare parts.
6. **Only use the tool for its intended purpose. Do not use the tool for any other purpose.**
7. **Switch off the tool and remove the battery cartridge before:**
 - cleaning or when clearing a blockage,
 - checking, carrying out maintenance or working on the tool,
 - adjusting the working position of the shear blades,
 - leaving the tool unattended.
8. **Ensure that the tool is correctly located in a designated working position before starting the tool.**
9. **Do not operate the tool with a damaged or excessively worn shear blades.**
10. **Always be aware of your surroundings and stay alert for possible hazards of which you may not be aware due to the noise of the tool.**
11. **Be careful not to accidentally contact a metal fence or other hard objects during operation.** The blade will break and may cause serious injury.
12. **Avoid unintentional starting. Do not carry the tool when the battery cartridge is installed and with finger on the switch. Make sure that the switch is off when installing the battery cartridge.**

13. **Do not grasp the exposed cutting blades or cutting edges when picking up or holding the tool.**
14. **Do not force the tool.** It will do the job better and with less likelihood of a risk of injury at the rate for which it was designed.
15. **Do not use the tool in the rain or in wet or very damp conditions.** The electric motor is not waterproof.
16. **Hold the tool firmly when using the tool.**
17. **Do not operate the tool at no-load unnecessarily.**
18. **Before checking the shear blades, taking care of faults, or removing foreign objects caught in the shear blades, always switch off the tool and remove the battery cartridge.**
19. **Never point the shear blades to yourself or others.**
20. **If the blades stop moving due to the stuck of foreign objects between the blades during operation, switch off the tool and remove the battery cartridge, and then remove the foreign objects using tools such as pliers.** Removing the foreign objects by hand may cause an injury for the reason that the blades may move in reaction to removing the foreign objects.
5. **Check damaged parts.** Before further use of the tool, any part which is damaged should be carefully checked to determine that it will operate properly and perform its intended function. Check for alignment of moving parts, binding of moving parts, breakage of parts, mounting and any other condition that may affect its operation. A guard or other part that is damaged should be properly repaired or replaced by your authorized service center.
6. **Use genuine spare parts only.**
7. **When moving the tool to another location, including during work, always remove the battery cartridge and put the blade cover on the shear blades. Never carry or transport the tool with the blades running. Never grasp the blades with your hands.**
8. **Clean the tool and especially the shear blades after use, and before putting the tool into storage for extended periods.** Lightly oil the shear blades and put on the blade cover.
9. **Do not dispose of the battery(ies) in a fire.** The cell may explode. Check with local codes for possible special disposal instructions.
10. **Do not open or mutilate the battery(ies).** Released electrolyte is corrosive and may cause damage to the eyes or skin. It may be toxic if swallowed.
11. **Do not charge battery in rain, or in wet locations.**

Electrical and battery safety

1. **Avoid dangerous environment. Don't use the tool in dump or wet locations or expose it to rain.** Water entering the tool will increase the risk of electric shock.
2. **Do not dispose of the battery(ies) in a fire.** The cell may explode. Check with local codes for possible special disposal instructions.
3. **Do not open or mutilate the battery(ies).** Released electrolyte is corrosive and may cause damage to the eyes or skin. It may be toxic if swallowed.
4. **Do not charge battery in rain, or in wet locations.**
5. **Do not charge the battery outdoors.**
6. **Do not handle charger, including charger plug, and charger terminals with wet hands.**

Maintenance and storage

1. **When the tool is stopped for servicing, inspection or storage, switch off the tool and remove the battery cartridge, and make sure all moving parts have come to a stop. Allow the tool to cool before making any inspections, adjustment, etc.**
2. **Always allow the tool to cool down before storing.**
3. **When not in use, attach the blade cover to the tool and store the tool indoors in dry, and high locked-up place, out of reach of children.**
4. **Maintain the tool with care. Keep cutting edge sharp and clean for best performance and to reduce the risk of injury. Follow instructions for lubricating and changing accessories. Keep grips dry, clean, and free from oil and grease.**

SAVE THESE INSTRUCTIONS.

⚠WARNING: DO NOT let comfort or familiarity with product (gained from repeated use) replace strict adherence to safety rules for the subject product. MISUSE or failure to follow the safety rules stated in this instruction manual may cause serious personal injury.

Important safety instructions for battery cartridge

1. **Before using battery cartridge, read all instructions and cautionary markings on (1) battery charger, (2) battery, and (3) product using battery.**
2. **Do not disassemble or tamper with the battery cartridge.** It may result in a fire, excessive heat, or explosion.
3. **If operating time has become excessively shorter, stop operating immediately. It may result in a risk of overheating, possible burns and even an explosion.**
4. **If electrolyte gets into your eyes, rinse them out with clear water and seek medical attention right away. It may result in loss of your eyesight.**
5. **Do not short the battery cartridge:**
 - (1) **Do not touch the terminals with any conductive material.**
 - (2) **Avoid storing battery cartridge in a container with other metal objects such as nails, coins, etc.**
 - (3) **Do not expose battery cartridge to water or rain.**

A battery short can cause a large current flow, overheating, possible burns and even a breakdown.

6. Do not store and use the tool and battery cartridge in locations where the temperature may reach or exceed 50 °C (122 °F).
7. Do not incinerate the battery cartridge even if it is severely damaged or is completely worn out. The battery cartridge can explode in a fire.
8. Do not nail, cut, crush, throw, drop the battery cartridge, or hit against a hard object to the battery cartridge. Such conduct may result in a fire, excessive heat, or explosion.
9. Do not use a damaged battery.
10. The contained lithium-ion batteries are subject to the Dangerous Goods Legislation requirements.

For commercial transports e.g. by third parties, forwarding agents, special requirement on packaging and labeling must be observed.
For preparation of the item being shipped, consulting an expert for hazardous material is required.
Please also observe possibly more detailed national regulations.

Tape or mask off open contacts and pack up the battery in such a manner that it cannot move around in the packaging.

11. When disposing of the battery cartridge, remove it from the tool and dispose of it in a safe place. Follow your local regulations relating to disposal of battery.
12. Use the batteries only with the products specified by Makita. Installing the batteries to non-compliant products may result in a fire, excessive heat, explosion, or leak of electrolyte.
13. If the tool is not used for a long period of time, the battery must be removed from the tool.
14. During and after use, the battery cartridge may take on heat which can cause burns or low temperature burns. Pay attention to the handling of hot battery cartridges.

15. Do not touch the terminal of the tool immediately after use as it may get hot enough to cause burns.
16. Do not allow chips, dust, or soil stuck into the terminals, holes, and grooves of the battery cartridge. It may cause heating, catching fire, burst and malfunction of the tool or battery cartridge, resulting in burns or personal injury.
17. Unless the tool supports the use near high-voltage electrical power lines, do not use the battery cartridge near high-voltage electrical power lines. It may result in a malfunction or breakdown of the tool or battery cartridge.
18. Keep the battery away from children.

SAVE THESE INSTRUCTIONS.

CAUTION: Only use genuine Makita batteries. Use of non-genuine Makita batteries, or batteries that have been altered, may result in the battery bursting causing fires, personal injury and damage. It will also void the Makita warranty for the Makita tool and charger.

Tips for maintaining maximum battery life

1. Charge the battery cartridge before completely discharged. Always stop tool operation and charge the battery cartridge when you notice less tool power.
2. Never recharge a fully charged battery cartridge. Overcharging shortens the battery service life.
3. Charge the battery cartridge with room temperature at 10 °C - 40 °C (50 °F - 104 °F). Let a hot battery cartridge cool down before charging it.
4. When not using the battery cartridge, remove it from the tool or the charger.
5. Charge the battery cartridge if you do not use it for a long period (more than six months).

PARTS DESCRIPTION

► Fig.1

1	Head	2	Angle adjustment button	3	Lock-lever	4	Thumb nut
5	Front grip	6	Rear grip	7	Battery cartridge	8	Switch trigger
9	Lock-off button	10	Shear blades	-	-	-	-

FUNCTIONAL DESCRIPTION

⚠ CAUTION: Always be sure that the tool is switched off and the battery cartridge is removed before adjusting or checking function on the tool.

Installing or removing battery cartridge

⚠ CAUTION: Always switch off the tool before installing or removing of the battery cartridge.

⚠ CAUTION: Hold the tool and the battery cartridge firmly when installing or removing battery cartridge. Failure to hold the tool and the battery cartridge firmly may cause them to slip off your hands and result in damage to the tool and battery cartridge and a personal injury.

► **Fig.2:** 1. Red indicator 2. Button 3. Battery cartridge

To remove the battery cartridge, slide it from the tool while sliding the button on the front of the cartridge.

To install the battery cartridge, align the tongue on the battery cartridge with the groove in the housing and slip it into place. Insert it all the way until it locks in place with a little click. If you can see the red indicator as shown in the figure, it is not locked completely.

⚠ CAUTION: Always install the battery cartridge fully until the red indicator cannot be seen. If not, it may accidentally fall out of the tool, causing injury to you or someone around you.

⚠ CAUTION: Do not install the battery cartridge forcibly. If the cartridge does not slide in easily, it is not being inserted correctly.

Indicating the remaining battery capacity

Only for battery cartridges with the indicator

► **Fig.3:** 1. Indicator lamps 2. Check button

Press the check button on the battery cartridge to indicate the remaining battery capacity. The indicator lamps light up for a few seconds.

Indicator lamps			Remaining capacity
Lighted	Off	Blinking	
			75% to 100%
			50% to 75%
			25% to 50%
			0% to 25%
			Charge the battery.
			The battery may have malfunctioned.

NOTE: Depending on the conditions of use and the ambient temperature, the indication may differ slightly from the actual capacity.

NOTE: The first (far left) indicator lamp will blink when the battery protection system works.

Tool / battery protection system

The tool is equipped with a tool/battery protection system. This system automatically cuts off power to the motor to extend tool and battery life. The tool will automatically stop during operation if the tool or battery is placed under one of the following conditions:

Overload protection

When the tool or battery is operated in a manner that causes it to draw an abnormally high current, the tool automatically stops. In this situation, turn the tool off and stop the application that caused the tool to become overloaded. Then turn the tool on to restart.

Overheat protection

When the tool or battery is overheated, the tool stops automatically. In this case, let the tool and battery cool before turning the tool on again.

Overdischarge protection

When the battery capacity is not enough, the tool stops automatically. In this case, remove the battery from the tool and charge the battery.

Switch action

⚠ WARNING: Before installing the battery cartridge into the tool, always check to see that the switch trigger actuates properly and returns to the "OFF" position when released.

⚠ WARNING: For your safety, this tool is equipped with the lock-off button which prevents the tool from unintended starting. Never use the tool if it starts when you pull the switch trigger without pressing the lock-off button. Ask your local Makita Service Center for repairs.

⚠ WARNING: Never disable the lock function or tape down the lock-off button.

NOTICE: Do not pull the switch trigger forcibly without pressing the lock-off button. The switch may break.

► **Fig.4:** 1. Lock-off button 2. Switch trigger

To prevent the switch trigger from being accidentally pulled, a lock-off button is provided.

To start the tool, press the lock-off button and pull the switch trigger. Release the switch trigger to stop. The lock-off button can be pressed from either the right or left side.

Adjusting the cutting angle

⚠ CAUTION: Always be sure that the tool is switched off before folding or unfolding the head.

⚠ CAUTION: When folding the head for carrying the tool or after using the tool, be sure to attach the blade cover before folding the head.

⚠ CAUTION: When folding the head, be careful not to pinch your fingers between the head and the tool body.

The angle of the head can be adjusted in 10 steps. To change the angle of the head, follow the steps below.

1. Hold the head and the tool body as shown in the figure.

▶ **Fig.5:** 1. Head 2. Angle adjustment button

2. Adjust the angle of the head while holding down the angle adjustment button, and then release the angle adjustment button.

3. Move the head slightly until it is locked with a click.

NOTE: Make sure that the head is securely locked before operating the tool.

Adjusting the pipe length

⚠ CAUTION: Always be sure that the tool is switched off before adjusting the pipe length.

⚠ CAUTION: When adjusting the pipe length, be sure to attach the blade cover before adjusting the pipe length.

⚠ CAUTION: When adjusting the pipe length, be careful not to pinch your fingers.

⚠ CAUTION: Make sure that the lock-lever is locked securely.

⚠ CAUTION: When adjusting the pipe length, lay the tool on its side. If you stand the tool upright, the head will come down suddenly, which may cause an injury.

Loosen the lock-lever, then adjust the length of the pipe, and then lock the lock-lever.

▶ **Fig.6:** 1. Lock-lever

Adjusting the front grip position

⚠ CAUTION: Always be sure that the tool is switched off before adjusting the position of the front grip.

⚠ CAUTION: When adjusting the position of the front grip, be careful not to pinch your fingers.

⚠ CAUTION: Make sure that the thumb nut is tightened securely.

⚠ CAUTION: Do not move the front grip beyond the arrow mark.

To adjust the position of the front grip, loosen the thumb nut by turning it counterclockwise, then adjust the position of the front grip, and then tighten the thumb nut by turning it clockwise.

▶ **Fig.7:** 1. Thumb nut 2. Arrow mark

ASSEMBLY

⚠ CAUTION: Always be sure that the tool is switched off and the battery cartridge is removed before carrying out any work on the tool.

⚠ CAUTION: When replacing the shear blades, always wear gloves so that your hands do not directly contact the blades.

Installing or removing the shear blades

⚠ CAUTION: Attach the blade cover before removing or installing the shear blades.

NOTICE: When replacing the shear blades, do not wipe off grease from the gear and crank.

NOTE: Before installing or removing the shear blades, unfold the head of the tool so that the head is straight to the tool body.

1. Place the tool upside down.

2. Remove 4 screws with a screwdriver and remove the shear blades.

▶ **Fig.8:** 1. Screw

3. Remove the crank from the shear blades.

▶ **Fig.9:** 1. Crank

NOTE: The crank may remain in the tool.

4. Prepare the crank and new shear blades.

▶ **Fig.10:** 1. Crank 2. Shear blades

5. Remove the blade cover, and then attach it to the new shear blades.

6. Apply a small amount of grease to the periphery of the crank. Attach the washer, gear, and the crank to the pin in order.

▶ **Fig.11:** 1. Crank 2. Gear 3. Washer 4. Pin

7. Adjust the crank so that the 2 small holes on the crank are lined up on the alignment line as shown in the figure.

▶ **Fig.12:** 1. Alignment line 2. Small hole

8. Slide the shear blades so that the hole on the guide plate is positioned at the center of the rings of blades.

▶ **Fig.13:** 1. Guide plate

9. Insert the screw removed in step 2 into the hole on the shear blades through the hole on the blade cover.

▶ **Fig.14:** 1. Hole

10. Attach the shear blades to the tool, and then tighten 3 screws with the screwdriver.

▶ **Fig.15:** 1. Screw

11. Remove the screw inserted into the hole on the shear blades in step 9, and then tighten it to fix the shear blades.

NOTICE: If the shear blades do not operate properly, the blades are not engaging the crank properly. Remove the blades and install them again.

NOTICE: If the parts other than the shear blades such as the crank are worn out, ask Makita Authorized Service Centers for parts replacement or repairs.

Installing or removing the chip receiver

Optional accessory

⚠ CAUTION: When installing or removing the chip receiver, always wear gloves so that your hands do not directly contact the shear blades.

⚠ CAUTION: Attach the blade cover before installing or removing the chip receiver.

The chip receiver gathers discarded leaves and makes clean-up afterward much easier. It can be installed on either side of the tool.

1. Align the holes on the chip receiver with the nuts on the shear blades.

▶ **Fig.16:** 1. Nut

2. Hook the claws of the chip receiver to the groove on the shear blades.

▶ **Fig.17:** 1. Claw 2. Groove

3. Press the levers on the chip receiver, and then hook the claws on the other side to the groove on the shear blades.

▶ **Fig.18:** 1. Lever

To remove the chip receiver, press the levers to release the claws.

▶ **Fig.19:** 1. Lever

NOTICE: Never try to remove the chip receiver by an excessive force with its claws locked in the grooves of the shear blades.

OPERATION

Operating the tool

⚠ WARNING: Do not use the tool near any electrical power lines. Contacting with power lines or using the tool near power lines may cause serious injury or electric shock resulting in death.

⚠ WARNING: Keep hands away from shear blades.

⚠ WARNING: Be extremely careful to maintain control of the tool at all times. Do not allow the tool to be deflected toward you or anyone in the work vicinity. Failure to keep control of the tool could result in serious injury to the bystander and the operator.

⚠ CAUTION: Avoid operating the tool in very hot weather as much as practicable. When operating the tool, be careful of your physical condition.

⚠ CAUTION: Be careful not to accidentally contact a metal fence or other hard objects while trimming. The shear blades may break and cause an injury.

⚠ CAUTION: Be careful not to allow the shear blades to contact the ground. The tool may recoil and cause an injury.

⚠ CAUTION: Overreaching with a hedge trimmer, particularly from a ladder, is extremely dangerous. Do not work while standing on anything wobbly or infirm.

NOTICE: Do not attempt to cut branches thicker than 10 mm in diameter with the tool. Cut branches to 10 cm lower than the cutting height using branch cutters before using the tool.

▶ **Fig.20:** (1) Cutting height (2) 10 cm

NOTICE: Do not cut down dead trees or similar hard objects. Doing so may damage the tool.

NOTICE: Do not trim the grass or weeds while using the shear blades. The shear blades may become tangled in the grass or weeds.

Hold the tool with both hands by holding the front grip and the rear grip.

▶ **Fig.21:** 1. Front grip 2. Rear grip

Pull the switch trigger while pressing the lock-off button, and then move the tool forward.

▶ **Fig.22**

For basic operation, tilt the shear blades toward the trimming direction and move it calmly and slowly at the speed rate of 3 to 4 seconds per meter.

▶ **Fig.23**

To cut a hedge side evenly, cut from the bottom to top.

▶ **Fig.24**

When trimming to make a round shape (trimming boxwood or rhododendron, etc.), trim from the root to the top for a beautiful finish.

▶ **Fig.25**

If the chip receiver is attached to the shear blades, it gathers discarded leaves and makes clean-up afterward much easier.

▶ **Fig.26**

MAINTENANCE

⚠ CAUTION: Always be sure that the tool is switched off and the battery cartridge is removed before attempting to perform inspection or maintenance.

⚠ CAUTION: When inspecting or maintaining the tool, always put the tool down. Assembling or adjusting the tool in an upright position may result in serious injury.

To maintain product SAFETY and RELIABILITY, repairs, any other maintenance or adjustment should be performed by Makita Authorized or Factory Service Centers, always using Makita replacement parts.

Cleaning the tool

Clean the tool by wiping off dust with a dry cloth or one dipped in soapy water and wrung out.

NOTICE: Never use gasoline, benzene, thinner, alcohol or the like. Discoloration, deformation or cracks may result.

Shear blade maintenance

Before the operation or once per hour during operation, apply low-viscosity oil (machine oil, or spray-type lubricating oil) to the shear blades.

► Fig.27

After operation, remove dust from both sides of the shear blades with a wired brush, wipe it off with a cloth and then apply low-viscosity oil (machine oil, or spray-type lubricating oil) to the shear blades.

► Fig.28

NOTICE: Do not wash the shear blades in water. Doing so may cause rust or damage to the tool.

NOTICE: Dirt and corrosion cause excessive blade friction and shorten the operating time per battery charge.

Storage

Attach the blade cover to the shear blades so that the blades are not exposed. Store the tool out of the reach of children. Store the tool in a place not exposed to moisture or rain.

TROUBLESHOOTING

Before asking for repairs, conduct your own inspection first. If you find a problem that is not explained in the manual, do not attempt to dismantle the tool. Instead, ask Makita Authorized Service Centers, always using Makita replacement parts for repairs.

State of abnormality	Probable cause (malfunction)	Remedy
Motor does not run.	Battery cartridge is not installed.	Install the battery cartridge.
	Battery problem (under voltage)	Recharge the battery. If recharging is not effective, replace battery.
	The drive system does not work correctly.	Ask your local authorized service center for repair.
Motor stops running after a little use, or motor does not run.	Battery's charge level is low.	Recharge the battery. If recharging is not effective, replace battery.
	Overheating.	Stop using of tool to allow it to cool down.
Tool does not reach maximum RPM.	Battery is installed improperly.	Install the battery cartridge as described in this manual.
	Battery power is dropping.	Recharge the battery. If recharging is not effective, replace battery.
	The drive system does not work correctly.	Ask your local authorized service center for repair.
Shear blades do not move: ⇒ stop the machine immediately!	Inappropriate angle of shear blades.	Make sure that the head is properly fixed in the operational angle.
	Foreign objects are caught between the shear blades.	Switch off the tool and remove the battery cartridge, and then remove the foreign objects using tools such as pliers.
	The drive system does not work correctly.	Ask your local authorized service center for repair.
Abnormal vibration: ⇒ stop the machine immediately!	Shear blades are broken, bent or worn.	Replace the shear blades.
	The drive system does not work correctly.	Ask your local authorized service center for repair.
Shear blades and motor cannot stop: ⇒ Remove the battery immediately!	Electric malfunction.	Remove the battery and ask your local authorized service center for repair.

OPTIONAL ACCESSORIES

CAUTION: These accessories or attachments are recommended for use with your Makita tool specified in this manual. The use of any other accessories or attachments might present a risk of injury to persons. Only use accessory or attachment for its stated purpose.

If you need any assistance for more details regarding these accessories, ask your local Makita Service Center.

- Shear blade assembly
- Chip receiver
- Grease vessel
- Makita genuine battery and charger

NOTE: Some items in the list may be included in the tool package as standard accessories. They may differ from country to country.

DANE TECHNICZNE

Model:	DUN461W
Długość ostrza	460 mm
Liczba oscylacji na minutę	3 600 min ⁻¹
Kąt ostrza tnącego	135° (w górę 60°, w dół 75°)
Długość całkowita	1 889–2 511 mm
Napięcie znamionowe	Prąd stały 18 V
Masa netto	3,0–3,3 kg

- W związku ze stale prowadzonym przez naszą firmę programem badawczo-rozwojowym niniejsze dane mogą ulec zmianom bez wcześniejszego powiadomienia.
- Dane techniczne mogą różnić się w zależności od kraju.
- Masa może być różna w zależności od osprzętu, w tym akumulatora. W tabeli przedstawiona jest najlżejsza i najcięższa konfiguracja, zgodnie z procedurą EPTA 01/2014.

Kompatybilne akumulatory i ładowarki

Akumulator	BL1815N / BL1820B / BL1830B / BL1840B / BL1850B / BL1860B
Ładowarka	DC18RC / DC18RD / DC18RE / DC18SD / DC18SE / DC18SF / DC18SH / DC18WC

- Pewne z wymienionych powyżej akumulatorów i ładowarek mogą być niedostępne w regionie zamieszkania użytkownika.

⚠ OSTRZEŻENIE: Należy używać wyłącznie akumulatorów i ładowarek wymienionych powyżej.

Używanie innych akumulatorów i ładowarek może stwarzać ryzyko wystąpienia obrażeń ciała lub pożaru.





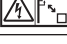

Zalecane źródło zasilania podłączane za pomocą przewodu

Przenośna jednostka zasilająca	PDC01
--------------------------------	-------

- Wymienione powyżej źródło zasilania podłączane za pomocą przewodu może być niedostępne w regionie zamieszkania użytkownika.
- Przed użyciem źródła zasilania podłączanego za pomocą przewodu należy zapoznać się z instrukcją i umieszczonymi na nim znakami ostrzegawczymi.

Symbole

Poniżej pokazano symbole, jakie mogą być zastosowane na urządzeniu. Przed rozpoczęciem użytkowania należy zapoznać się z ich znaczeniem.

	Przeczytać instrukcję obsługi.
	Chronić przed wilgocią.
	Nosić kask, gogle oraz ochronniki słuchu.
	NIEBEZPIECZEŃSTWO — Nie zbliżać rąk do ostrza.
	Uważać na przewody elektryczne, ryzyko porażenia prądem.
	Zachować odległość co najmniej 15 m.



Dotyczy tylko państw UE

Z uwagi na obecność w sprzęcie niebezpiecznych składników, zużyty sprzęt elektryczny, elektroniczny, akumulatory oraz baterie mogą powodować negatywny wpływ na środowisko i zdrowie ludzi. Nie wyrzucaj urządzeń elektrycznych, elektronicznych lub akumulatorów wraz z odpadami z gospodarstwa domowego! Zgodnie z Europejską Dyrektywą w sprawie zużytego sprzętu elektrycznego i elektronicznego oraz dotyczącą akumulatorów i baterii oraz zużytych akumulatorów i baterii, a także dostosowaniem ich do prawa krajowego, zużyte urządzenia elektryczne, elektroniczne, baterie i akumulatory, należy składować osobno i przekazywać do punktu selektywnej zbiórki odpadów komunalnych, działającego zgodnie z przepisami dotyczącymi ochrony środowiska. Informuje o tym symbol przekreślonego kołowego kontenera na odpady umieszczony na sprzęcie.



Gwarantowany poziom mocy akustycznej zgodnie z dyrektywą UE w sprawie hałasu na zewnątrz.



Poziom mocy akustycznej zgodnie z australijskimi przepisami dot. redukcji hałasu dla Nowej Południowej Walii

Przeznaczenie

Narzędzie to jest przeznaczone do przycinania żywopłotów.

Hałas

Typowy równoważny poziom dźwięku A określony w oparciu o normę EN62841-4-2:

Poziom ciśnienia akustycznego (L_{pA}): 74 dB(A)

Niepewność (K): 3 dB(A)

Poziom hałasu podczas pracy może przekraczać 80 dB (A).

WSKAZÓWKA: Deklarowana wartość emisji hałasu została zmierzona zgodnie ze standardową metodą testową i można ją wykorzystać do porównywania narzędzi.

WSKAZÓWKA: Deklarowaną wartość emisji hałasu można także wykorzystać we wstępnej ocenie narażenia.

Drgania

Obowiązująca norma : EN62841-4-2

Lewa ręka (rękojeść przednia)		Prawa ręka (rękojeść tylna)	
a_h (m/s^2)	Niepewność K (m/s^2)	a_h (m/s^2)	Niepewność K (m/s^2)
2,5 m/s^2 lub mniej	1,5	2,5 m/s^2 lub mniej	1,5

WSKAZÓWKA: Deklarowana wartość poziomu drgań została zmierzona zgodnie ze standardową metodą testową i można ją wykorzystać do porównywania narzędzi.

WSKAZÓWKA: Deklarowaną wartość poziomu drgań można także wykorzystać we wstępnej ocenie narażenia.

⚠️ OSTRZEŻENIE: Drgania wytwarzane podczas rzeczywistego użytkowania elektronarzędzia mogą się różnić od wartości deklarowanej w zależności od sposobu użytkowania narzędzia, a w szczególności od rodzaju obrabianego elementu.

⚠️ OSTRZEŻENIE: W oparciu o szacowane narażenie w rzeczywistych warunkach użytkowania należy określić środki bezpieczeństwa w celu zapewnienia ochrony operatora (uwzględniając wszystkie elementy cyklu działania, tj. czas, kiedy narzędzie jest wyłączone i kiedy pracuje na biegu jałowym, a także czas, kiedy jest włączone).

Deklaracja zgodności WE

Dotyczy tylko krajów europejskich

Deklaracja zgodności WE jest dołączona jako załącznik A do niniejszej instrukcji obsługi.

OSTRZEŻENIA DOTYCZĄCE BEZPIECZEŃSTWA

Ogólne zasady bezpiecznej eksploatacji elektronarzędzi

⚠️ OSTRZEŻENIE: Należy zapoznać się z ostrzeżeniami dotyczącymi bezpieczeństwa, instrukcjami, ilustracjami i danymi technicznymi dołączonymi do tego elektronarzędzia. Niezastosowanie się do podanych poniżej instrukcji może prowadzić do porażenia prądem, pożaru i/lub poważnych obrażeń ciała.

⚠️ OSTRZEŻENIE: Nosić ochronniki słuchu.

⚠️ OSTRZEŻENIE: Poziom hałasu wytwarzanego podczas rzeczywistego użytkowania elektronarzędzia może się różnić od wartości deklarowanej w zależności od sposobu użytkowania narzędzia, a w szczególności od rodzaju obrabianego elementu.

⚠️ OSTRZEŻENIE: W oparciu o szacowane narażenie w rzeczywistych warunkach użytkowania należy określić środki bezpieczeństwa w celu zapewnienia ochrony operatora (uwzględniając wszystkie elementy cyklu działania, tj. czas, kiedy narzędzie jest wyłączone i kiedy pracuje na biegu jałowym, a także czas, kiedy jest włączone).

Wszystkie ostrzeżenia i instrukcje należy zachować do wykorzystania w przyszłości.

Pojęcie „elektronarzędzie”, występujące w wymienionych tu ostrzeżeniach, odnosi się do elektronarzędzia zasilanego z sieci elektrycznej (z przewodem zasilającym) lub do elektronarzędzia akumulatorowego (bez przewodu zasilającego).

Ostrzeżenia dotyczące bezpieczeństwa dla akumulatorowych nożyc do żywopłotu na wsięgniku

1. Nie wolno zbliżać żadnych części ciała do ostrza. Ciężego materiału nie wolno usuwać ani przytrzymywać, kiedy ostrza są w ruchu. Ostrza poruszają się nawet po wyłączeniu narzędzia za pomocą przełącznika. Moment nieuwagi podczas pracy z nożycami do żywopłotu może spowodować poważne obrażenia ciała.

2. **Nożyce do żywoplotu przenosić za pomocą uchwytu po zatrzymaniu ostrza, zachowując ostrożność, aby nie nacisnąć żadnego przełącznika zasilania.** Prawidłowe przenoszenie nożyc do żywoplotu zmniejszy ryzyko przypadkowego uruchomienia i obrażeń ciała spowodowanych przez ostrza.
3. **Podczas transportu lub przechowywania nożyc do żywoplotu zawsze należy założyć osłonę na ostrze.** Prawidłowe postępowanie z nożycami do żywoplotu zmniejszy ryzyko obrażeń ciała spowodowanych przez ostrza.
4. **Podczas usuwania zakleszczonego materiału lub serwisowania urządzenia należy się upewnić, czy wszystkie przełączniki zasilania są wyłączone i czy akumulator został wyjęty lub odłączony.** Nieoczekiwane aktywowanie nożyc do żywoplotu podczas usuwania zakleszczonego materiału lub serwisowania może doprowadzić do poważnych obrażeń ciała.
5. **Ponieważ ostrze może zetknąć się z ukrytymi przewodami elektrycznymi, nożyce do żywoplotu należy trzymać tylko za izolowane uchwytu.** Zetknięcie ostrzy z przewodem elektrycznym znajdującym się pod napięciem spowoduje, że odsłonięte elementy metalowe nożyc do żywoplotu również znajdują się pod napięciem, stwarzając ryzyko porażenia operatorem prądem elektrycznym.
6. **Nie należy zbliżać przewodów zasilających ani innych przewodów do obszaru cięcia.** Przewody zasilające lub inne przewody mogą być ukryte w żywoplotcie lub krzewach i mogą zostać przypadkowo przecięte przez ostrze.
7. **Nie należy używać nożyc do żywoplotu przy złej pogodzie, w szczególności, jeśli istnieje ryzyko wyładowań atmosferycznych.** Dzięki temu zmniejszy się ryzyko porażenia piorunem.
8. **Aby zmniejszyć ryzyko porażenia prądem, nigdy nie należy używać nożyc do żywoplotu na wysięgniku w pobliżu linii energetycznych.** Kontakt z liniami energetycznymi lub użycie narzędzia w pobliżu takich linii może spowodować poważne obrażenia ciała lub śmierć w wyniku porażenia elektrycznego.
9. **Nożyce do żywoplotu na wysięgniku należy zawsze obsługiwać oburącz.** Przytrzymuj nożyce do żywoplotu na wysięgniku obiema rękami, aby uniknąć utraty kontroli.
10. **Podczas korzystania z nożyc do żywoplotu na wysięgniku zawsze należy nosić ochronę głowy.** Spadające odpadki mogą spowodować poważne obrażenia ciała.
2. **Przed uruchomieniem narzędzia należy sprawdzić, czy w żywoplotcie lub krzewach nie ma elementów takich jak ogrodzenia z drutu lub niewidoczne przewody elektryczne.**
3. **Dzieciom i młodzieży poniżej 18 roku życia nie wolno obsługiwać nożyc do żywoplotu.** Młode osoby powyżej 16 roku życia można wyłączyć z tego zastrzeżenia, jeżeli odbywają szkolenie pod nadzorem fachowca.
4. **W przypadku niebezpieczeństwa natychmiast wyłączyć narzędzie i wyjąć akumulator.**
5. **NIEBEZPIECZEŃSTWO - Nie wolno zbliżać rąk do ostrza.** Kontakt z ostrzem może spowodować poważne obrażenia ciała.
6. **Osoba mająca praktyczne doświadczenie z narzędziem powinna poinstruować użytkownika, który jeszcze z nim nie pracował.**
7. **Przed rozpoczęciem eksploatacji należy sprawdzić, czy w miejscu pracy nie ma drucianych ogrodzeń, kamieni lub innych obiektów.** Mogą one uszkodzić ostrza.
8. **Nożyce do żywoplotu powinny być używane tylko wtedy, gdy osoba ją obsługująca jest w odpowiedniej formie fizycznej.** W przypadku zmęczenia koncentracja operatora jest obniżona. Zachować szczególną ostrożność pod koniec dnia roboczego. Wszelkie czynności powinny być wykonywane spokojnie i ostrożnie. Użytkownik odpowiada za wszelkie szkody wyrządzone osobom trzecim.
9. **Przed rozpoczęciem pracy należy się upewnić, że nożyce są w dobrym i zapewniającym bezpieczeństwo stanie.** Należy sprawdzić, czy osłony są zamocowane prawidłowo. Nożyce do żywoplotu nie wolno używać, jeśli nie są całkowicie zmontowane.
10. **Unikać niebezpiecznych warunków pracy.** Nie wolno używać narzędzia w otoczeniu wilgotnym, mokrym ani narażać go na działanie deszczu. Woda, która dostanie się do wnętrza narzędzia, zwiększa ryzyko porażenia prądem elektrycznym.

Środki ochrony osobistej

1. **Rękawice robocze z grubej skóry należą do podstawowego wyposażenia podczas pracy z nożycami do żywoplotu i zawsze należy je nosić.** Należy też nosić mocne buty z antypoślizgowymi podeszwami.
2. **Stosować odpowiednią ochronę słuchu, taką jak nauszniki, w celu zabezpieczenia słuchu przed uszkodzeniem.**
3. **Nosić okulary ochronne, kask bezpieczeństwa oraz rękawice ochronne w celu ochrony ciała przed odrzucanymi w powietrze odpadkami lub spadającymi przedmiotami.**
4. **Dotykając ostrzy lub regulując kąt ostrza, nosić rękawice ochronne.** Ostrza mogą poważnie zranić odsłonięte dłonie.

Obsługa

1. **Narzędzie należy zawsze obsługiwać oburącz.** Przytrzymywanie jedną ręką może doprowadzić do utraty kontroli i spowodować poważne obrażenia ciała.

Dodatkowe zalecenia dotyczące bezpieczeństwa

Przygotowanie

1. **NOŻYCE DO ŻYWOPLÓTU MOGĄ SPWODOWAĆ POWAŻNE OBRAŻENIA CIAŁA.** Należy dokładnie zapoznać się z instrukcją objaśniającymi sposób prawidłowej obsługi, przygotowania, konserwacji, uruchamiania i zatrzymywania narzędzia. Należy zapoznać się ze wszystkimi elementami sterowania i zasadami poprawnego użytkowania narzędzia.

2. Podczas używania narzędzia zawsze należy się upewnić, czy położenie robocze jest bezpieczne. Sięganie narzędziem zbyt daleko, zwłaszcza podczas pracy na drabinie, może być bardzo niebezpieczne. Podczas pracy nie wolno stać na niczym chwiejnym lub niestabilnym.
 3. Podczas pracy z użyciem narzędzia nie należy jednocześnie nosić kilku szelek z paskiem i/lub szelek nośnych.
 4. Podczas pracy z użyciem narzędzia należy zachować odległość co najmniej 15 m od osób postronnych i zwierząt. W przypadku zbliżania się osoby trzeciej wyłączyć narzędzie.
 5. Jeśli narzędzie tnące uderzy w jakiś obiekt lub zacznie generować nietypowy dźwięk lub wibracje, należy niezwłocznie wyłączyć narzędzie, wyjąć akumulator i poczekać, aż narzędzie się zatrzyma. Następnie należy wykonać następujące kroki:
 - sprawdzić, czy nie doszło do uszkodzeń,
 - sprawdzić, czy nie doszło do poluzowania części, i w razie potrzeby dokręcić je,
 - wymienić lub naprawić uszkodzone części z użyciem oryginalnych części zamiennych.
 6. Narzędzia należy używać tylko zgodnie z jego przeznaczeniem. Nie wolno używać narzędzia do żadnych innych celów.
 7. Wyłączyć narzędzie i wyjąć z niego akumulator przed:
 - czyszczeniem lub podczas usuwania blokad,
 - sprawdzeniem, wykonaniem konserwacji lub wykonaniem innych prac związanych z narzędziem,
 - skorygowaniem położenia roboczego ostrzy nożyc,
 - pozostawieniem narzędzia bez nadzoru.
 8. Przed uruchomieniem narzędzia należy upewnić się, czy jest ono prawidłowo ustawione w określonym położeniu roboczym.
 9. Nie uruchamiać narzędzia z uszkodzonymi lub nadmiernie zużytymi ostrzami nożyc.
 10. Zawsze należy zwracać uwagę na otoczenie i zachować czujność wobec możliwych zagrożeń, o których może nie być wiadomo na skutek hałasu narzędzia.
 11. Podczas pracy należy uważać, aby nie dotknąć metalowego ogrodzenia lub innych twardych przedmiotów. Ostrze może się złamać i spowodować poważne obrażenia ciała.
 12. Unikać przypadkowego uruchomienia. Nie przenosić narzędzia z zamontowanym akumulatorem i palcem na przełączniku. Podczas zakładania akumulatora należy upewnić się, że przełącznik jest wyłączony.
 13. Podczas podnoszenia lub przenoszenia narzędzia nigdy nie chwycać za nieosłonięte noże lub krawędzie tnące.
 14. Nie przeciążać narzędzia. Będzie ono pracowało lepiej, a ryzyko spowodowania obrażeń będzie mniejsze podczas pracy z prędkością, dla której zostało zaprojektowane.
 15. Narzędzia nie wolno używać podczas deszczu, kiedy występuje rosa ani w bardzo wilgotnych warunkach. Silnik elektryczny nie jest wodoodporny.
 16. Narzędzie należy trzymać pewnie podczas pracy.
 17. Nie należy bez potrzeby uruchamiać narzędzia bez obciążenia.
 18. Przed sprawdzeniem ostrzy nożyc, usunięciem uszkodzeń lub obiektów zablokowanych w ostrzach nożyc należy zawsze wyłączyć narzędzie i wyjąć akumulator.
 19. Nigdy nie kierować ostrzy nożyc w swoją stronę ani w stronę innych osób.
 20. Jeśli podczas pracy ostrza przestaną się poruszać z powodu utknięcia między nimi przedmiotów obcych, należy wyłączyć narzędzie, wyjąć akumulator, a następnie usunąć przedmioty obce za pomocą odpowiednich narzędzi, takich jak szczytce. Wyjmowanie przedmiotów obcych dłońmi grozi odniesieniem obrażeń, ponieważ ostrza mogą poruszyć się w reakcji na usunięcie przedmiotu obcego.
- Zasady bezpieczeństwa dotyczące urządzeń elektrycznych i akumulatora**
1. **Unikać niebezpiecznych warunków pracy.** Nie wolno używać narzędzia w otoczeniu wilgotnym lub mokrym ani narażać go na działanie deszczu. Woda, która dostanie się do wnętrza narzędzia, zwiększa ryzyko porażenia prądem elektrycznym.
 2. **Nie wyrzucać akumulatorów do ognia.** Ogniwo może eksplodować. Należy zapoznać się z obowiązującymi lokalnie przepisami, które określają specjalne wytyczne dotyczące utylizacji odpadów.
 3. **Nie wolno otwierać ani niszczyć akumulatorów.** Uwolniony elektrolit jest substancją żrącą, która może spowodować uszkodzenie oczu lub skóry. W przypadku połknięcia może być trujący.
 4. **Akumulatora nie należy ładować w deszczu ani w wilgotnym otoczeniu.**
 5. **Nie ładować akumulatora na zewnątrz.**
 6. **Nie dotykać ładowarki, w tym jej wtyczki i styków, mokrymi rękami.**
- Konserwacja i przechowywanie**
1. Jeśli narzędzie ma zostać zatrzymane w celu przeprowadzenia serwisu, przeglądu lub przekazania do magazynowania, należy je wyłączyć i wyjąć akumulator, a następnie upewnić się, czy wszystkie części ruchome się zatrzymały. Przed rozpoczęciem przeglądów, regulacji itp. należy pozostawić narzędzie do ostygnięcia.
 2. Przed schowaniem narzędzia należy zawsze odczekać, aż ostygnie.
 3. Jeśli narzędzie nie jest używane, należy zamocować osłonę ostrza i schować narzędzie w suchym pomieszczeniu, w wysoko położonym, zamkniętym i niedostępnym dla dzieci miejscu.
 4. Starannie wykonywać czynności konserwacyjne. Krawędź tnąca powinna być ostra i czysta, co zapewni największą wydajność i zredukuje ryzyko obrażeń. Przestrzegać instrukcji smarowania i wymiany akcesoriów. Utrzymywać rękojeści suche, czyste i niezabrudzone olejem ani smarem.

5. Sprawdzić uszkodzone części. Uszkodzoną część należy dokładnie sprawdzić przed dalszym użytkowaniem narzędzia, aby mieć pewność, że będzie ona poprawnie działać i spełniać swoją funkcję. Należy sprawdzić narzędzie pod kątem nieprawidłowego ustawienia lub zablokowania elementów ruchomych, pęknięć części, zamocowania oraz innych usterek, które mogą mieć wpływ na jego działanie. Oslona lub inne uszkodzone części powinny zostać naprawione lub wymienione przez autoryzowany punkt serwisowy.
 6. Należy używać tylko oryginalnych części.
 7. Przed przeniesieniem narzędzia na inne miejsce, także podczas pracy, należy wyjąć akumulator i założyć osłonę na ostrza nożyc. Nie wolno przenosić ani przewozić narzędzia, gdy ostrza są w ruchu. Nigdy nie chwytać ostrzy rękami.
 8. Narzędzie, a zwłaszcza ostrza, należy wyczyścić po pracy, a także przed odłożeniem narzędzia do przechowania przez dłuższy czas. Ostrza nożyc należy lekko naoliwić i nałożyć na nie osłonę.
 9. Nie wolno wyrzucać akumulatorów do ognia. Ogniwo może eksplodować. Należy zapoznać się z obowiązującymi lokalnie przepisami, które określają specjalne wytyczne dotyczące pozbywania się odpadów.
 10. Nie wolno otwierać ani niszczyć akumulatorów. Uwolniony elektrolit jest substancją żrącą, która może spowodować uszkodzenie oczu lub skóry. Może być on trujący w razie połknięcia.
 11. Akumulatora nie należy ładować w deszczu ani w wilgotnym otoczeniu.
5. Nie doprowadzać do zwarcia akumulatora:
 - (1) Nie dotykać styków materiałami przewodzącymi prąd.
 - (2) Unikać przechowywania akumulatora w pojemniku z metalowymi przedmiotami, takimi jak gwoździe, monety itp.
 - (3) Chronić akumulator przed deszczem lub wodą.
Zwarcie prowadzi do przepływu prądu elektrycznego o dużym natężeniu i przegrzania akumulatora, co w konsekwencji może grozić poparzeniami a nawet awarią urządzenia.
 6. Narzędzia i akumulatora nie wolno przechowywać ani używać w miejscach, w których temperatura osiąga bądź przekracza 50°C (122°F).
 7. Akumulatorów nie wolno spalać, również tych poważnie uszkodzonych lub całkowicie zużytych. Akumulator może eksplodować w ogniu.
 8. Nie należy przecinać ani zgniatać akumulatora, wbijać w niego gwoździe, rzucać nim, upuszczać, ani uderzać akumulatorem o twarde objekty. Takie działanie może spowodować pożar, przegrzanie lub wybuch.
 9. Nie wolno używać uszkodzonego akumulatora.
 10. Stanowiące wyposażenie akumulatory litowo-jonowe podlegają przepisom dotyczącym produktów niebezpiecznych.
Na potrzeby transportu komercyjnego, np. świadczony przez firmy trzecie czy spedycyjne, należy przestrzegać specjalnych wymagań w zakresie pakowania i oznaczania etykietami. Przygotowanie produktu do wysyłki wymaga skonsultowania się ze specjalistą ds. materiałów niebezpiecznych. Należy także przestrzegać przepisów krajowych, które mogą być bardziej szczegółowe.
Zakleić taśmą lub zaślepić otwarte styki akumulatora oraz zabezpieczyć go, aby nie mógł się przesuwać w opakowaniu.
 11. Jeśli zajdzie konieczność utylizacji akumulatora, należy wyjąć go z narzędzia i przekazać w bezpieczne miejsce. Postępować zgodnie z przepisami lokalnymi dotyczącymi utylizacji akumulatorów.
 12. Używać akumulatorów tylko z produktami określonymi przez firmę Makita. Zastosowanie akumulatorów w niezgodnych produktach może spowodować pożar, przegrzanie, wybuch lub wyciek elektrolitu.
 13. Jeśli narzędzie nie będzie używane przez dłuższy czas, należy wyjąć z niego akumulator.
 14. Przed użyciem akumulatora i po jego użyciu akumulator może pozostać nagrany, co może spowodować poparzenia lub poparzenia w niskiej temperaturze. Z gorącym akumulatorem należy obchodzić się ostrożnie.
 15. Nie należy dotykać styku narzędzia bezpośrednio po jego użyciu, ponieważ może on być na tyle gorący, że spowoduje oparzenia.
 16. Nie należy dopuszczać, aby wióry, kurz lub brud gromadziły się na stykach, w otworach i rowkach akumulatora. Może to doprowadzić do przegrzania, pożaru, wybuchu lub uszkodzenia narzędzia lub akumulatora, co może spowodować oparzenia lub obrażenia ciała.

ZACHOWAĆ NINIEJSZE INSTRUKCJE.

⚠ OSTRZEŻENIE: NIE WOLNO pozwolić, aby wygoda lub rutyna (nabyta w wyniku wielokrotnego używania urządzenia) zastąpiły ściśle przestrzeganie zasad bezpieczeństwa obsługi. **NIEWŁAŚCIWE UŻYTKOWANIE** narzędzia lub niestosowanie się do zasad bezpieczeństwa podanych w niniejszej instrukcji obsługi może prowadzić do poważnych obrażeń ciała.

Ważne zasady bezpieczeństwa dotyczące akumulatora

1. Przed użyciem akumulatora zapoznać się ze wszystkimi instrukcjami i znakami ostrzegawczymi na (1) ładowarce, (2) akumulatorze i (3) produkcie, w którym będzie używany akumulator.
2. Nie rozmontowywać ani modyfikować akumulatora. Może to spowodować pożar, przegrzanie lub wybuch.
3. Jeśli czas działania uległ znacznemu skróceniu, należy natychmiast przerwać pracę. Może bowiem dojść do przegrzania, ewentualnych poparzeń, a nawet eksplozji.
4. W przypadku przedostania się elektrolitu do oczu, przemyć je czystą wodą i niezwłocznie uzyskać pomoc lekarską. Może on bowiem spowodować utratę wzroku.

17. Jeśli narzędzie nie jest przeznaczone do użytku w pobliżu linii wysokiego napięcia, nie należy korzystać z akumulatora w ich sąsiedztwie. Może to spowodować nieprawidłowości w działaniu lub uszkodzenie narzędzia lub akumulatora.
18. Przechowywać akumulator w miejscu niedostępnym dla dzieci.

ZACHOWAĆ NINIEJSZE INSTRUKCJE.

⚠ PRZESTROGA: Używać wyłącznie oryginalnych akumulatorów firmy Makita. Używanie nieoryginalnych akumulatorów firm innych niż Makita lub akumulatorów, które zostały zmodyfikowane, może spowodować wybuch akumulatora i pożar, obrażenia ciała oraz zniszczenie mienia. Stanowi to również naruszenie warunków gwarancji firmy Makita dotyczących narzędzia i ładowarki.

Wskazówki dotyczące zachowania maksymalnej trwałości akumulatora

1. Akumulator należy naładować zanim zostanie do końca rozładowany. Po zauważeniu spadku mocy narzędzia należy przerwać pracę i naładować akumulator.
2. Nie wolno ładować powtórnie w pełni naładowanego akumulatora. Przeladowanie akumulatora skraca jego trwałość.
3. Akumulator należy ładować w temperaturze pokojowej w przedziale 10–40°C (50–104°F). W przypadku gorącego akumulatora przed przystąpieniem do ładowania należy poczekać, aż ostygnie.
4. Jeśli akumulator nie jest używany, należy go wyjąć z narzędzia lub ładowarki.
5. Akumulatory nikielowo-wodorkowe należy naładować po okresie długiego nieużytkowania (dłuższego niż sześć miesięcy).

OPIS CZĘŚCI

► Rys.1

1	Głowica	2	Przycisk regulacji kąta	3	Dźwignia blokady	4	Nakrętka motylkowa
5	Przednia rękojeść	6	Tylna rękojeść	7	Akumulator	8	Spust przełącznika
9	Przycisk blokady włączenia	10	Ostrza nożyc	-	-	-	-

OPIS DZIAŁANIA

⚠ PRZESTROGA: Przed przystąpieniem do regulacji lub przeglądu narzędzia upewnić się, że jest ono wyłączone, a akumulator został wyjęty.

Wkładanie i wyjmowanie akumulatora

⚠ PRZESTROGA: Przed włożeniem lub wyjęciem akumulatora należy zawsze wyłączyć narzędzie.

⚠ PRZESTROGA: Podczas wkładania lub wyjmowania akumulatora należy mocno trzymać narzędzie i akumulator. W przeciwnym razie mogą się one wyslizgnąć z rąk, powodując uszkodzenie narzędzia lub akumulatora i obrażenia ciała.

- Rys.2: 1. Czerwony wskaźnik 2. Przycisk 3. Akumulator

Aby wyjąć akumulator, przesunąć przycisk znajdujący się w przedniej jego części i wysunąć akumulator.

Aby włożyć akumulator, wyrównać występ na akumulatorze z rowkiem w obudowie i wsunąć go na swoje miejsce. Akumulator należy wsunąć do oporu, aż się zatrzaśnie na miejscu, co jest sygnalizowane delikatnym kliknięciem. Jeśli jest widoczny czerwony wskaźnik pokazany na rysunku, akumulator nie został całkowicie zablokowany.

⚠ PRZESTROGA: Akumulator należy włożyć do końca, tak aby czerwony wskaźnik nie był widoczny. W przeciwnym razie może przypadkowo wypaść z narzędzia, powodując obrażenia operatora lub osób postronnych.

⚠ PRZESTROGA: Nie wkładać akumulatora na siłę. Jeśli akumulator nie daje się swobodnie wsunąć, oznacza to, że został włożony nieprawidłowo.

Wskazanie stanu naładowania akumulatora

Tylko w przypadku akumulatorów ze wskaźnikami

- Rys.3: 1. Lampki wskaźnika 2. Przycisk kontrolny
Nacisnąć przycisk kontrolny na akumulatorze w celu wyświetlenia stanu naładowania akumulatora. Lampki wskaźnika zaświecą się przez kilka sekund.

Lampki wskaźnika			Pozostała energia akumulatora
Świeci się	Wyłączony	Miga	
			75–100%
			50–75%
			25–50%
			0–25%
			Naladować akumulator.
			Akumulator może nie działać poprawnie.

WSKAZÓWKA: Zależnie od warunków użytkowania i temperatury otoczenia, wskaźwany poziom może nieznacznie się różnić od rzeczywistego stanu naładowania akumulatora.

WSKAZÓWKA: Pierwsza (skrajnie po lewej stronie) lampka wskaźnika miga, gdy układ zabezpieczenia akumulatora jest aktywny.

Układ zabezpieczenia narzędzia/akumulatora

Narzędzie jest wyposażone w układ zabezpieczenia narzędzia/akumulatora. Układ automatycznie odcina zasilanie silnika w celu wydłużenia trwałości narzędzia i akumulatora. Narzędzie zostanie automatycznie zatrzymane podczas pracy w następujących sytuacjach związanych z narzędziem lub akumulatorem:

Zabezpieczenie przed przeciążeniem

W przypadku użytkowania narzędzia lub akumulatora w sposób powodujący nadmierne wysokie pobór prądu narzędzie zostanie automatycznie zatrzymane. W takiej sytuacji należy wyłączyć narzędzie i zaprzestać wykonywania czynności powodującej jego przeciążenie. Następnie należy włączyć narzędzie w celu ponownego uruchomienia.

Zabezpieczenie przed przegrzaniem

W przypadku przegrzania narzędzia lub akumulatora narzędzie wyłączy się automatycznie. W takiej sytuacji przed ponownym włączeniem narzędzia należy odczekać, aż narzędzie i akumulator ostygną.

Zabezpieczenie przed nadmiernym rozładowaniem

Gdy stan naładowania akumulatora stanie się zbyt niski, narzędzie zostanie automatycznie zatrzymane. W takiej sytuacji należy wyjąć akumulator z narzędzia i naładować go.

Działanie przełącznika

⚠️ OSTRZEŻENIE: Przed włożeniem akumulatora do narzędzia należy zawsze sprawdzić, czy spust przełącznika działa prawidłowo i czy powraca do położenia wyłączenia po jego zwolnieniu.

⚠️ OSTRZEŻENIE: Ze względów bezpieczeństwa narzędzie jest wyposażone w przycisk blokady włączenia, który zapobiega przypadkowemu uruchomieniu narzędzia. Nie wolno używać narzędzia, jeśli można je uruchomić tylko za pomocą spustu przełącznika bez uprzedniego wciśnięcia przycisku blokady włączenia. Zlecić naprawę w lokalnym autoryzowanym punkcie serwisowym Makita.

⚠️ OSTRZEŻENIE: Nigdy nie wolno wyłączać funkcji blokady ani zaklejać taśmą przycisku blokady włączenia.

UWAGA: Nie ciągnąć na siłę spustu przełącznika bez wcześniejszego wciśnięcia przycisku blokady włączenia. Przełącznik może ulec uszkodzeniu.

► **Rys.4:** 1. Przycisk blokady włączenia 2. Spust przełącznika

Aby zapobiec przypadkowemu pociągnięciu spustu przełącznika, narzędzie wyposażono w przycisk blokady.

Aby uruchomić narzędzie, należy nacisnąć przycisk blokady włączenia i pociągnąć spust przełącznika. W celu wyłączenia wystarczy zwolnić spust przełącznika. Przycisk blokady włączenia można nacisnąć z prawej lub z lewej strony.

Regulacja kąta cięcia

⚠️ PRZESTROGA: Przed złożeniem lub rozłożeniem głowicy należy upewnić się, że narzędzie jest wyłączone.

⚠️ PRZESTROGA: Przed złożeniem głowicy w celu przeniesienia narzędzia lub po zakończeniu eksploatacji należy złożyć osłonę ostrza.

⚠️ PRZESTROGA: Podczas składania głowicy należy uważać, aby nie ścisnąć palców pomiędzy głowicą a korpusem narzędzia.

Do regulacji kąta głowicy dostępnych jest 10 ustawień. Aby zmienić kąt głowicy, należy wykonać poniższe kroki.

1. Przytrzymać głowicę i korpus narzędzia w sposób pokazany na rysunku.

► **Rys.5:** 1. Głowica 2. Przycisk regulacji kąta

2. Wyregulować kąt głowicy, przytrzymując naciśnięty przycisk regulacji kąta, a następnie zwolnić przycisk regulacji kąta.

3. Przesunąć delikatnie głowicę, tak aby została zablokowana (kliknięcie).

WSKAZÓWKA: Przed rozpoczęciem eksploatacji narzędzia należy upewnić się, czy głowica jest dokładnie zamocowana.

Regulacja długości drążka

⚠ PRZESTROGA: Przed wyregulowaniem długości drążka należy zawsze upewnić się, że narzędzie jest wyłączone.

⚠ PRZESTROGA: Należy pamiętać, aby przed wyregulowaniem długości drążka przymocować osłonę tarczy.

⚠ PRZESTROGA: Podczas regulacji długości drążka należy uważać, aby nie ścisnąć palców.

⚠ PRZESTROGA: Upewnić się, że dźwignia blokady jest odpowiednio zablokowana.

⚠ PRZESTROGA: Podczas regulacji długości drążka narzędzie powinno leżeć na boku. Jeśli narzędzie będzie ustawione pionowo, głowica gwałtownie opadnie, co może spowodować obrażenia ciała.

Poluzować dźwignię blokady, a następnie wyregulować długość drążka i zablokować dźwignię blokady.

► **Rys.6:** 1. Dźwignia blokady

Regulacja pozycji przedniej rękojeści

⚠ PRZESTROGA: Przed wyregulowaniem pozycji przedniej rękojeści należy upewnić się, że narzędzie jest wyłączone.

⚠ PRZESTROGA: Podczas regulacji pozycji przedniej rękojeści należy uważać, aby nie ścisnąć palców.

⚠ PRZESTROGA: Upewnić się, że nakrętka motylkowa jest prawidłowo dokręcona.

⚠ PRZESTROGA: Nie należy przesuwać przedniej rękojeści poza symbol strzałki.

Aby wyregulować pozycję przedniej rękojeści, należy poluzować nakrętkę motylkową, obracając ją w lewo, a następnie wyregulować pozycję przedniej rękojeści i dokręcić nakrętkę motylkową, obracając ją w prawo.

► **Rys.7:** 1. Nakrętka motylkowa 2. Symbol strzałki

MONTAŻ

⚠ PRZESTROGA: Przed przystąpieniem do prac konserwacyjnych przy narzędziu upewnić się, że jest ono wyłączone, a akumulator został wyjęty.

⚠ PRZESTROGA: Podczas wymiany ostrzy nożyc należy zawsze nosić rękawice, aby nie dotykać ich bezpośrednio.

Montaż lub demontaż ostrzy nożyc

⚠ PRZESTROGA: Przed założeniem lub zdjęciem ostrzy nożyc należy założyć osłonę nożyc.

UWAGA: Podczas wymiany ostrzy nożyc nie wycierać smaru z przekładni ani z mimośrodów.

WSKAZÓWKA: Przed zamontowaniem lub wymontowaniem ostrzy nożyc należy rozłożyć głowicę narzędzia, tak aby głowica była wyprostowana w stosunku do korpusu narzędzia.

1. Ustawić narzędzie „do góry nogami”.
2. Wykręcić 4 śruby za pomocą śrubokręta i zdjąć ostrza nożyc.

► **Rys.8:** 1. Śruba

3. Wyjąć mimośród z ostrzy nożyc.

► **Rys.9:** 1. Mimośród

WSKAZÓWKA: Mimośród może pozostać w narzędziu.

4. Przygotować mimośród i nowe ostrza nożyc.
- **Rys.10:** 1. Mimośród 2. Ostrza nożyc
5. Zdjąć osłonę ostrza i założyć ją na nowe ostrza nożyc.
6. Posmarować obwód mimośrodu niewielką ilością smaru. Założyć podkładkę, przekładnię i mimośród do kołka w podanej kolejności.
- **Rys.11:** 1. Mimośród 2. Przekładnia 3. Podkładka 4. Kołek
7. Wyregulować mimośród, tak aby 2 małe otwory w mimośrodku były ustawione na linii ustawczej, jak pokazano na rysunku.
- **Rys.12:** 1. Linia ustawcza 2. Mały otwór
8. Wsunąć ostrza nożyc tak, aby otwór w płytce prowadzącej znalazł się w środku pierścieni ostrzy.
- **Rys.13:** 1. Płytkę prowadzącą

9. Włożyć śrubę wykręconą w kroku 2 do otworu w ostrzach nożyc, przekładając ją przez otwór w osłonie ostrzy.

► **Rys.14:** 1. Otwór

10. Przymocować ostrza nożyc do narzędzia i dokręcić 3 śruby za pomocą śrubokręta.

► **Rys.15:** 1. Śruba

11. Wykręcić śrubę włożoną do otworu w ostrzach nożyc w kroku 9, a następnie dokręcić, aby unieruchomić ostrza nożyc.

UWAGA: Jeśli ostrza nożyc nie działają prawidłowo, oznacza to, że nie są właściwie połączone z mimośrodem. Zdjąć ostrza i założyć je ponownie.

UWAGA: Jeśli inne części niż ostrza nożyc, takie jak mimośród, ulegną zużyciu, należy zwrócić się do autoryzowanego centrum serwisowego firmy Makita z prośbą o wymianę części lub dokonanie naprawy.

Zakładanie i zdejmowanie pojemnika na ścinki

Opiszę dodatkowy

▲PRZESTROGA: Podczas instalacji lub demontażu pojemnika na ścinki należy zawsze nosić rękawice, aby nie dotykać bezpośrednio ostrej noży.

▲PRZESTROGA: Przed założeniem lub zdjęciem pojemnika na ścinki zamocować osłonę ostrej.

Pojemnik na ścinki odbiera odrzucone liście i znacznie ułatwia późniejsze sprzątanie. Można go założyć z jednej lub z drugiej strony narzędzia.

1. Wyrównać otwory w pojemniku na ścinki z nakrętkami na ostrzach nożyc.

► **Rys.16:** 1. Nakrętka

2. Zaczepić skrzydełka pojemnika na ścinki w rowku ostrej noży.

► **Rys.17:** 1. Skrzydełko 2. Rowek

3. Nacisnąć dźwignię pojemnika na ścinki, a następnie zaczepić skrzydełka po drugiej stronie w rowku ostrej noży.

► **Rys.18:** 1. Dźwignia

Aby zdjąć pojemnik na ścinki, nacisnąć dźwignię w celu zwolnienia skrzydełek.

► **Rys.19:** 1. Dźwignia

UWAGA: Pojemnika na ścinki nie wolno zdejmować z użyciem nadmiernej siły, gdy skrzydełka są zablokowane w rowkach ostrej noży.

OBSŁUGA

Obsługa narzędzia

▲OSTRZEŻENIE: Nie wolno używać narzędzia w pobliżu linii energetycznych. Kontakt z liniami energetycznymi lub użycie narzędzia w pobliżu takich linii może spowodować poważne obrażenia ciała lub śmierć w wyniku porażenia elektrycznego.

▲OSTRZEŻENIE: Trzymać ręce z dala od ostrej noży.

▲OSTRZEŻENIE: Należy zachować najwyższą ostrożność, aby nie utracić kontroli nad narzędziem. Nie dopuścić, aby narzędzie odchyliło się w stronę użytkownika lub jakiegokolwiek innej osoby przebywającej w pobliżu. Brak kontroli nad narzędziem może spowodować poważne obrażenia operatora lub osób postronnych.

▲PRZESTROGA: W miarę możliwości należy unikać używania narzędzia przy wysokiej temperaturze otoczenia. Podczas obsługi narzędzia należy zwracać uwagę na swój stan fizyczny.

▲PRZESTROGA: Podczas przycinania należy uważać, aby nie dotknąć metalowego ogrodzenia lub innych twardych przedmiotów. Ostra noży mogą się złamać i spowodować obrażenia ciała.

▲PRZESTROGA: Zachować ostrożność, aby nie dopuścić do zetknięcia się ostrej noży z gruntem. Narzędzie może odskoczyć i spowodować obrażenia ciała.

▲PRZESTROGA: Podczas przycinania sięganie zbyt daleko, zwłaszcza gdy pracuje się na drabinie, może być bardzo niebezpieczne. Podczas pracy nie wolno stać na niczym chwiejnym lub niestabilnym.

UWAGA: Nie wolno próbować przycinania tym narzędziem gałęzi o średnicy większej niż 10 mm. Przed użyciem tego narzędzia należy za pomocą sekatora do gałęzi przyciąć takie gałęzie na długość o 10 cm mniejszą niż wysokość cięcia.

► **Rys.20:** (1) Wysokość cięcia (2) 10 cm

UWAGA: Nie wolno też ciąć suchych gałęzi ani innych twardych przedmiotów. Może to spowodować uszkodzenie narzędzia.

UWAGA: Nie ścinać trawy ani chwastów za pomocą ostrej noży. Ostrza noży mogą się zaplać w trawie lub w chwastach.

Narzędzie należy trzymać oburącz, przytrzymując za przednią i tylną rękojeść.

► **Rys.21:** 1. Przednia rękojeść 2. Tylna rękojeść

Pociągnąć spust przełącznika, jednocześnie naciskając przycisk blokady włączenia, a następnie przesunąć narzędzie do przodu.

► **Rys.22**

Stosując podstawową metodę pracy, należy pochylić ostrza noży w kierunku przycinania i przesuwać je spokojnie i powoli, z szybkością jednego metra na 3 do 4 s.

► **Rys.23**

Równe przycięcie boku żywopłotu osiągamy, przycinając go od dołu do góry.

► **Rys.24**

Podczas przycinania w celu uzyskania zaokrąglonych kształtów (strzyżenie bukszpanu lub rododendronu) o atrakcyjnym wyglądzie należy ciąć od korzeni do wierzchołka.

► **Rys.25**

Jeśli do ostrej noży jest przymocowany pojemnik na ścinki, odbiera on odrzucone liście i znacznie ułatwia późniejsze sprzątanie.

► **Rys.26**

KONSERWACJA

⚠ PRZESTROGA: Przed przystąpieniem do przeglądu narzędzia lub jego konserwacji upewnić się, że jest ono wyłączone, a akumulator wyjęty.

⚠ PRZESTROGA: Na czas kontroli lub konserwacji narzędzia zawsze należy je położyć. Montowanie lub regulowanie narzędzia w położeniu pionowym może spowodować poważne obrażenia.

W celu zachowania odpowiedniego poziomu BEZPIECZEŃSTWA i NIEZAWODNOŚCI produktu wszelkie naprawy i różnego rodzaju prace konserwacyjne lub regulacje powinny być przeprowadzane przez autoryzowany lub fabryczny punkt serwisowy narzędzi Makita, zawsze z użyciem oryginalnych części zamiennych Makita.

Czyszczenie narzędzia

Zczyścić narzędzie, wycierając kurz suchą szmatką lub szmatką zanurzoną wcześniej w roztworze wodnym mydła i wyżętą.

UWAGA: Nie stosować benzyny, rozpuszczalników, alkoholu itp. środków. Mogą one powodować odbarwienia, odkształcenia lub pęknięcia.

Konserwacja ostrzy nożyc

Przed rozpoczęciem pracy lub po każdej przepracowanej godzinie zwilżyć ostrza nożyc olejem o niskiej lepkości (olejem maszynowym lub olejem smarnym w aerozolu).
► Rys.27

Po zakończeniu pracy należy drucianą szczotką usunąć kurz po obu stronach ostrza nożyc, przetrzeć je szmatką, a następnie zwilżyć olejem o niskiej lepkości, (olejem maszynowym lub olejem smarnym w aerozolu).
► Rys.28

UWAGA: Ostrzy nożyc nie wolno myć wodą. Takie mycie może spowodować korozję lub uszkodzenie narzędzia.

UWAGA: Zanieczyszczenia i korozja powodują nadmierne tarcie podczas pracy ostrza i skracają czas eksploatacji między ładowaniami akumulatora.

Przechowywanie

Przymocować osłonę ostrzy do ostrzy nożyc tak, aby ostrza nie były odsłonięte. Narzędzie należy przechowywać w bezpiecznym, niedostępnym dla dzieci miejscu. Miejsce przechowywania narzędzia powinno być suche.

ROZWIĄZYWANIE PROBLEMÓW

Przed oddaniem urządzenia do naprawy należy najpierw przeprowadzić samodzielną kontrolę. W razie napotkania problemu, który nie został wyjaśniony w instrukcji, nie należy próbować demontować urządzenia we własnym zakresie. Należy natomiast zlecić naprawę w autoryzowanym punkcie serwisowym firmy Makita; zawsze z użyciem oryginalnych części zamiennych Makita.

Nieprawidłowe działanie	Prawdopodobna przyczyna (usterka)	Rozwiązanie
Silnik nie działa.	Nie włożono akumulatora.	Włóż akumulator.
	Problem z akumulatorem (za niskie napięcie)	Naładować akumulator. Jeżeli ładowanie akumulatora nie przynosi skutku, należy go wymienić.
	Układ napędowy nie działa prawidłowo.	Zlecić naprawę w lokalnym autoryzowanym punkcie serwisowym.
Silnik wyłącza się po krótkim czasie lub nie działa.	Niski poziom naładowania akumulatora.	Naładować akumulator. Jeżeli ładowanie akumulatora nie przynosi skutku, należy go wymienić.
	Przegrzanie.	Przerwać pracę, aby narzędzie ostygło.
Narzędzie nie może osiągnąć maksymalnych obrotów.	Akumulator został włożony nieprawidłowo.	Włóż akumulator zgodnie z opisem w niniejszej instrukcji.
	Spada moc akumulatora.	Naładować akumulator. Jeżeli ładowanie akumulatora nie przynosi skutku, należy go wymienić.
	Układ napędowy nie działa prawidłowo.	Zlecić naprawę w lokalnym autoryzowanym punkcie serwisowym.
Ostrza nożyc nie poruszają się: ⇒ Natychmiast wyłączyć narzędzie!	Nieprawidłowy kąt ustawienia ostrzy nożyc.	Należy się upewnić, czy głowica jest prawidłowo zamocowana pod odpowiednim do pracy kątem.
	Pomiędzy ostrzami nożyc znajdują się ciała obce.	Wyłączyć narzędzie i wyjąć akumulator, a następnie usunąć ciała obce, używając odpowiednich narzędzi, takich jak szczypce.
	Układ napędowy nie działa prawidłowo.	Zlecić naprawę w lokalnym autoryzowanym punkcie serwisowym.
Nietypowe drgania: ⇒ Natychmiast wyłączyć narzędzie!	Ostrza nożyc są złamane, wygięte lub zużyte.	Wymienić ostrza nożyc.
	Układ napędowy nie działa prawidłowo.	Zlecić naprawę w lokalnym autoryzowanym punkcie serwisowym.
Nie można zatrzymać ostrzy nożyc ani silnika: ⇒ Natychmiast wyjąć akumulator!	Usterka w układzie elektrycznym.	Wyjąć akumulator i zlecić naprawę w lokalnym autoryzowanym punkcie serwisowym.

AKCESORIA OPCJONALNE

⚠ PRZESTROGA: Zaleca się stosowanie wymienionych akcesoriów i przystawek razem z narzędziem Makita opisanym w niniejszej instrukcji.

Stosowanie innych akcesoriów lub przystawek może być przyczyną obrażeń ciała. Akcesoria lub przystawki należy wykorzystywać tylko zgodnie z ich przeznaczeniem.

W razie potrzeby wszelkiej pomocy i szczegółowych informacji na temat niniejszych akcesoriów udziela Państwu lokalne punkty serwisowe Makita.

- Zespół ostrzy nożyc
- Pojemnik na ścinki
- Pojemnik ze smarem
- Oryginalny akumulator i ładowarka firmy Makita

WSKAZÓWKA: Niektóre pozycje znajdujące się na liście mogą być dołączone do pakietu narzędziowego jako akcesoria standardowe. Mogą to być różne pozycje, w zależności od kraju.

RÉSZLETES LEÍRÁS

Típus:	DUN461W
Penge hossza	460 mm
Löketszám percenként	3 600 min ⁻¹
Vágókés szöge	135° (fel 60°, le 75°)
Teljes hossz	1 889 - 2 511 mm
Névleges feszültség	18 V, egyenáram
Nettó tömeg	3,0 - 3,3 kg

- Folyamatos kutató- és fejlesztőprogramunk eredményeként az itt felsorolt tulajdonságok figyelemztetés nélkül megváltozhatnak.
- A tulajdonságok országról országra különbözhetnek.
- A súly a felszerelt tartozékoktól függően változhat, az akkumulátort is beleértve. Az EPTA 01/2014 eljárás szerint meghatározott legnehezebb, illetve legkönnyebb kombináció a táblázatban látható.

Alkalmazható akkumulátorok és töltők

Akkumulátor	BL1815N / BL1820B / BL1830B / BL1840B / BL1850B / BL1860B
Töltő	DC18RC / DC18RD / DC18RE / DC18SD / DC18SE / DC18SF / DC18SH / DC18WC

- Lakóhelyétől függően előfordulhat, hogy a fent felsorolt akkumulátorok és töltők nem érhetőek el.

▲ FIGYELMEZTETÉS: Csak a fentiekben felsorolt akkumulátorokat és töltőket használja. Bármilyen más akkumulátor vagy töltő használata sérüléseket és/vagy tüzet okozhat.

Ajánlott kábellel csatlakoztatott áramforrás

Hordozható tápegység	PDC01
----------------------	-------

- Lakóhelyétől függően előfordulhat, hogy a fent felsorolt kábellel csatlakoztatott áramforrás(ok) nem érhető(k) el.
- A kábellel csatlakoztatott áramforrás használata előtt olvassa el az utasításokat és a figyelmeztető jeleket.

Szimbólumok

A következőkben a berendezésen esetleg használt jelképek láthatók. A szerszám használata előtt bizonyosodjon meg arról hogy helyesen értelmezi a jelentésüket.

	Olvassa el a használati utasítást.
	Óvja a készüléket eső és nedvesség hatásától.
	Viseljen sisakot, védőszemüveget és fülvédőt.
	VESZÉLY - Tartsa távol a kezét a késtől.
	Figyeljen az elektromos vezetékekre. Áramütés kockázata.
	A közelben tartózkodók legalább 15 m távolságra legyenek.



Csak EU-tagállamok számára
Mivel a berendezésben veszélyes alkatrészek vannak, az elektromos és elektronikus berendezések, akkumulátorok és elemek hulladékai negatív hatással lehetnek a környezetre és az emberi egészségre. Az elektromos és elektronikus készülékeket vagy akkumulátorokat ne dobja a háztartási szemétkébe!
Az elektromos és elektronikus berendezések hulladékairól és az akkumulátorokról és elemekről, valamint az akkumulátorok és elemek hulladékáról szóló európai irányelvnek, valamint a nemzeti jogszabályokhoz történő adaptálásának megfelelően a használt elektromos berendezéseket, elemeket és akkumulátorokat külön kell tárolni, és a települési hulladék elkülönített gyűjtőhelyére kell szállítani a környezetvédelmi előírásoknak megfelelően. Ezt jelzi a berendezésen elhelyezett áthúzott keresek kuka szimbólum.



Garantált hangteljesítményszint az EU szabadtéri zajvédelmi irányelvnek megfelelően.



Hangteljesítményszint Ausztrália NSW tartománya zajszabályozási rendelete szerint

Rendeltetés

A szerszám sövénynyírásra szolgál.

Zaj

A tipikus A-súlyozású zajszint, a EN62841-4-2 szerint meghatározva:

Hangnyomásszint (L_{pA}): 74 dB(A)

Bizonytalanság (K): 3 dB(A)

A zajszint a munkavégzés során meghaladhatja a 80 dB (A) értéket.

MEGJEGYZÉS: A zajkibocsátás értéke a szabványos vizsgálati eljárásnak megfelelően lett mérve, és segítségével az elektromos kéziszerszámok összehasonlíthatók egymással.

MEGJEGYZÉS: A zajkibocsátás értékének segítségével előzetesen megbecsülhető a rezgésnek való kitettség mértéke.

▲ FIGYELMEZTETÉS: Viseljen fülvédőt!

▲ FIGYELMEZTETÉS: A szerszám zajkibocsátása egy adott alkalmazásnál eltérhet a megadott értéktől a használat módjától, különösen a feldolgozott munkadarab fajtájától függően.

▲ FIGYELMEZTETÉS: Határozza meg a kezelő védelmét szolgáló munkavédelmi lépéseket, melyek az adott munkafeltételek melletti vibrációs hatás becslt mértékén alapulnak (figyelembe véve a munkaciklus elemeit, mint például a gép leállításának és üresjáratának mennyiségét az elindítások száma mellett).

Vibráció

Hatályos szabvány : EN62841-4-2

Bal kéz (elülső markolat)		Jobb kéz (hátsó markolat)	
a_h (m/s^2)	Bizonytalanság (K) (m/s^2)	a_h (m/s^2)	Bizonytalanság (K) (m/s^2)
2,5 m/s^2 vagy kisebb	1,5	2,5 m/s^2 vagy kisebb	1,5

MEGJEGYZÉS: A rezgés teljes értéke a szabványos vizsgálati eljárásnak megfelelően lett mérve, és segítségével az elektromos kéziszerszámok összehasonlíthatók egymással.

MEGJEGYZÉS: A rezgés teljes értékének segítségével előzetesen megbecsülhető a rezgésnek való kitettség mértéke.

▲ FIGYELMEZTETÉS: A szerszám rezgés kibocsátása egy adott alkalmazásnál eltérhet a megadott értéktől a használat módjától, különösen a feldolgozott munkadarab fajtájától függően.

▲ FIGYELMEZTETÉS: Határozza meg a kezelő védelmét szolgáló munkavédelmi lépéseket, melyek az adott munkafeltételek melletti vibrációs hatás becslt mértékén alapulnak (figyelembe véve a munkaciklus elemeit, mint például a gép leállításának és üresjáratának mennyiségét az elindítások száma mellett).

EK Megfelelőségi nyilatkozat

Csak európai országokra vonatkozóan

Az EK-megfelelőségi nyilatkozat az útmutató „A” mellékletében található.

BIZTONSÁGI FIGYELMEZTETÉS

A szerszámgépekre vonatkozó általános biztonsági figyelmeztetések

▲ FIGYELMEZTETÉS: Olvassa el a szerszámgéphez mellékelt összes biztonsági figyelmeztetést, utasítást, illusztrációt és a műszaki adatokat. A következőkben leírt utasítások figyelmen kívül hagyása elektromos áramütést, tüzet és/vagy súlyos sérülést eredményezhet.

Őrizzen meg minden figyelmeztetést és utasítást a későbbi tájékozódás érdekében.

A figyelmeztetésekben szereplő "szerszámgép" kifejezés az Ön hálózatról (vezetékes) vagy akkumulátorról (vezeték nélküli) működtetett szerszámgépére vonatkozik.

Az akkumulátoros nyeles sövénynyíróra vonatkozó biztonsági figyelmeztetések

1. **Ügyeljen rá, hogy teste semmilyen része ne kerüljön a kés közelébe.** Amikor a kések mozognak, ne távolítsa el a levágott anyagot, és ne tartsa a kezében a levágni kívánt anyagot. A kések a kapcsoló kikapcsolása után egy ideig még mozognak. A sövénynyíró használatában közben egy pillanatnyi figyelmetlenség is komoly személyi sérüléshez vezethet.
2. **A sövénynyírót a fogantyúnál fogva vigye, leállított késsel, ügyelve arra, hogy ne működtesse semmilyen főkapcsolót.** A sövénynyíró megfelelő szállítása csökkenti a kés véletlen indulásának és az ebből eredő személyi sérülések kockázatát.

3. **A sövénynyíró szállításához és tárolásához mindig illeszse fel a kés burkolatát.** A sövénynyíró megfelelő kezelése csökkenti a késből eredő személyi sérülések kockázatát.
4. **Az elakadt anyag eltávolításakor vagy az egység javításakor ügyeljen arra, hogy az összes főkapcsoló ki legyen kapcsolva és az akkumulátor el legyen távolítva vagy le legyen választva.** A sövénynyíró váratlan bekapcsolása az elakadt anyag eltávolítása vagy karbantartás közben súlyos személyi sérüléseket okozhat.
5. **Kizárólag a szigetelt markolási felületeinél fogva tartsa a sövénynyírot, mert fennáll a veszélye, hogy a fűrészlap rejtett vezetékekbe ütközik.** Ha a kések feszültség alatt lévő vezetékkel érintkeznek, az elektromos szerszám fém alkatrészei is áram alá kerülhetnek, és áramütés érheti a kezelőt.
6. **Az összes tápvezetékét és kábelt tartsa távol a vágási területtől.** A tápvezetékek vagy kábelek rejtve lehetnek a sövényekben vagy bokrokban, és a kés véletlenül elvághatja azokat.
7. **Ne használja a sövénynyírot rossz időjárási körülmények esetén, különösen, ha villámlás várható.** Ez csökkenti a villámcsapás veszélyét.
8. **Az áramütés kockázatának csökkentése érdekében soha ne használja a nyeles sövénynyírot elektromos vezetékek közelében.** Az elektromos vezetékekkel való érintkezés vagy az azok közelében történő használat súlyos sérüléseket vagy áramütést okozhat, ami halálhoz vezethet.
9. **Mindig két kézzel működtesse a nyeles sövénynyírot.** A nyeles sövénynyírot két kézzel tartsa, hogy ne veszítse el fölötté az uralmát.
10. **A nyeles sövénynyíró fej fölött történő használatok mindig viseljen fejtámasztó eszközt.** A leeső nyesedék súlyos személyi sérülést okozhat.
7. **Használat előtt vizsgálja át a teljes munkaterületet, hogy található-e rajta drótkerítés, kő vagy egyéb szilárd tárgy.** Ezek a kések sérülését okozhatják.
8. **A sövénynyírot csak jó fizikai állapotban lévő személyek használják.** A fáradtság figyelmetlenséghez vezethet. Különös elővigyázatossággal járjon el a munkanap végén. Minden munkát nyugodtan és elővigyázatosan végezzen. A harmadik félnek okozott károkat a felhasználó felelős.
9. **A munka megkezdése előtt győződjön meg arról, hogy a sövényvágó állapota jó, és megfelelő a biztonságos munkavégzésre.** Ügyeljen rá, hogy a védőburkolatok megfelelően fel legyenek szerelve. A sövénynyírot csak teljesen összeszerelt állapotban szabad használni.
10. **Kerülje a veszélyes környezetet. Ne használja a gépet nyirkos, nedves helyen, és ne tegye ki esőnek.** A gépbe kerülő víz növeli az áramütés kockázatát.

Személyi védőfelszerelések

1. **Az erős bőrből készült munkakesztyűk a sövénynyíró alappfelszerelésének részét képezik, és a használatok mindig fel kell venni azokat.** Emellett viseljen csúszásgátló talppal ellátott, kemény lábbelit.
2. **A halláskárosodás elkerülése érdekében használjon hallásvédő eszközt, például fülvédőt.**
3. **Védőszemüveg, védősisak és védőkesztyű használatával óvja magát a repülő hulladékoktól és leeső tárgyaktól.**
4. **A kések megérintései, illetve a kések szögének beállításakor mindig viseljen védőkesztyűt.** A kések súlyosan megvágják a védelem nélküli kezet.

Működtetés

1. **Mindig két kézzel működtesse a szerszámot.** Egyetlen kéz használata az irányítás elvesztését okozhatja, és súlyos személyi sérüléseket eredményezhet.
2. **A szerszám használata közben mindig ellenőrizze, hogy a kezelési helyzet biztonságos-e.** Ha túl messzire nyúl a szerszámmal, különösen egy létráról, az rendkívül veszélyes. Ne dolgozzon semmilyen billegő vagy nem stabil helyről.
3. **A szerszám használata közben ne viseljen egyszerre több biztonsági övet és/vagy vállhevedert.**
4. **Üzemeltetés közben tartson minden személyt és állatot legalább 15 m távolságra a szerszámtól.** Ha valaki közelebb jön, azonnal állítsa le a szerszámot.
5. **Ha a vágószerszám bármilyen tárgyhoz ütközik, vagy a szerszám szokatlan zajt vagy rezgést képez, kapcsolja ki a szerszámot, azonnal vegye ki az akkumulátort, és hagyja, hogy a szerszám leálljon.** Ezután tegye a következőket:
 - ellenőrizze, hogy nem károsodott-e
 - ellenőrizze és húzza meg a laza alkatrészeket
 - javíttassa meg vagy cserélje ki a sérült pótalkatrészeket eredeti alkatrészekre.

További biztonsági utasítások

Felkészülés

1. **EZ A SÖVENYNYÍRÓ SÚLYOS SÉRÜLÉSEKET OKOZHAT.** Figyelmesen olvassa el a szerszám helyes kezelésére, előkészítésére, karbantartására, indítására és leállítására vonatkozó utasításokat. Sajátítsa el a szerszám helyes használatát és a kezelőszervek működtetését.
2. **A szerszám használata előtt ellenőrizze a sövényeket és bokrokat, nincs-e bennük idegen tárgy, mint például drótkerítés vagy rejtett huzalok.**
3. **18 év alatti fiatalok vagy gyerekek nem használhatják a sövénynyírot.** Mentésülhetnek a tilalom alól az olyan 16 év feletti fiatalok, akik szakember által felügyelt betanításban részesülnek.
4. **Vészhelyzetben azonnal állítsa le a szerszámot és távolítsa el az akkumulátort.**
5. **VESZÉLY - Tartsa távol a kezeit a fűrészlaptól.** A fűrészlap megérintése súlyos személyi sérüléshez vezethet.
6. **A szerszámot először használó személyeknek egy tapasztalt kezelő mutassa meg annak használatát.**

6. A szerszámot csak rendeltetészerűen használja. Más célra ne használja a szerszámot.
7. Kapcsolja ki a szerszámot, és távolítsa el belőle az akkumulátort a következők előtt:
 - tisztítás vagy akadály megszüntetése,
 - a szerszám ellenőrzése, karbantartása vagy megmunkálása,
 - a nyírópengék munkahelyzetének beállítása,
 - ha a szerszámot felügyelet nélkül hagyja.
8. A szerszám elindítása előtt győződjön meg arról, hogy a szerszám megfelelően van-e a megadott munkapozícióban.
9. Ne működtesse a szerszámot sérült vagy túl kopott nyírópengékkel.
10. Mindig legyen tisztában a környezetével, és vigyázzon az esetleges veszélyekre, amelyeket a szerszám zaja miatt nem ismerhet fel.
11. Ügyeljen rá, nehogy véletlenül hozzáérjen egy fémkarészhez vagy más kemény tárgyhöz a használat során. A penge eltörhet és súlyos sérülést okozhat.
12. Kerülje a véletlenszerű elindítást. Ne hordozza a szerszámot, ha az akkumulátor be van helyezve, és ujjal a kapcsolón. Az akkumulátor behelyezése előtt ellenőrizze, hogy a kapcsoló ki van-e kapcsolva.
13. Ne fogja meg a csupaszból késeket vagy vágóéleket, amikor felemeli vagy megtartja a szerszámot.
14. Ne erőltesse a szerszámot. Jobb munka végezhető vele, és kisebb a sérülés veszélye, ha a gépet azzal a tempóval használja, amelyre tervezték.
15. Ne használja a szerszámot esőben, nedves vagy nagyon párás körülmények között. Az elektromos motor nem vízálló.
16. Használat közben erősen tartsa a szerszámot.
17. Ne működtesse a szerszámot terhelés nélkül fölöslegesen.
18. A nyírópengék ellenőrzése, a hibák kijavítása vagy a nyírópengékben elakadt idegen tárgyak eltávolítása előtt mindig kapcsolja ki a szerszámot, és vegye ki belőle az akkumulátort.
19. Soha ne irányítsa a nyírópengéket önmagára vagy másokra.
20. Ha a pengék mozgása leáll, mert működés közben idegen tárgyak szorultak a pengék közé, kapcsolja ki a szerszámot, és távolítsa el az akkumulátort, majd szerszám, például fogó segítségével távolítsa el az idegen tárgyakat. Az idegen tárgyak kézzel történő eltávolítása sérülést okozhat, mert az idegen tárgyak eltávolítására válaszképpen a pengék megmozdulhatnak.

Az elektromos áramra és az akkumulátorra vonatkozó biztonsági tudnivalók

1. Kerülje a veszélyes környezetet. Ne használja a gépet nyirkos, nedves helyen, és ne tegye ki esőnek. A szerszámba kerülő víz növeli az áramütés kockázatát.
2. Az akkumulátor(oka)t ne dobja tűzbe. Az akkumulátor felrobbanhat. Nézzon utána, hogy a helyi törvények tartalmazzak-e az ártalmatlanításra vonatkozó különleges rendelkezéseket.

3. Ne nyissa fel és ne vágja szét az akkumulátor(oka)t. A kifolyt elektrolit korrozív hatású, továbbá a szem és a bőr sérülését okozhatja. Lenyelése mérgezést okozhat.
4. Ne töltsse az akkumulátort esőben vagy nedves helyen.
5. Ne töltsse az akkumulátort kültéren.
6. Ne kezelje a töltőt, beleértve a töltőcsatlakozót, és a töltő kivezetéseit nedves kézzel.

Karbantartás és tárolás

1. Ha a szerszámot karbantartás, ellenőrzés vagy tárolás céljából leállítja, kapcsolja ki a szerszámot, vegye ki az akkumulátort és ellenőrizze, hogy minden mozgó alkatrész leállt-e. Ellenőrzések, beállítások stb. megkezdése előtt hagyja lehűlni a szerszámot.
2. Tárolás előtt mindig hagyja lehűlni a szerszámot.
3. Amikor nem használja, csatlakoztassa a pengevédőt a szerszámhoz és azt száraz helyen, magasan, elzártan tárolja, hogy gyerekek ne férjenek hozzá.
4. A szerszám karbantartását gondosan végezze el. A lehető legjobb teljesítmény és a sérülésveszély csökkentése érdekében a vágóélt tartsa élesen és tisztán. A szerszám kenésekora vagy tartozékcseréje alatt kövesse az utasításokat. A markolatokat tartsa szárazon, tisztán, valamint olaj- és zsírintesesen.
5. Vizsgálja meg a sérült alkatrészeket. A szerszám használata előtt vizsgálja meg alaposan a sérült alkatrészeket, és döntse el, hogy működképesek-e és ellátják-e a kívánt funkciójukat. Ellenőrizze a mozgó részek illeszkedését és rögzítését, az alkatrészek vagy a szerelvények törését vagy bármely olyan körülményt, amely hatással lehet a gép működésére. A sérült védőburkolatot vagy alkatrészt megfelelő módon meg kell javítani vagy arra jogosult szervizünkben kell kicseréltetni.
6. Csak eredeti alkatrészeket használjon.
7. A szerszámból szállítás előtt (még munka közbeni szállításkor is) vegye ki az akkumulátort, és tegye fel a nyírópengék védőburkolatát. Soha ne vigye és ne szállítsa a szerszámot mozgó pengékkel. Soha ne fogja meg kézzel a pengéket.
8. Használat után és hosszabb ideig tartó tárolás előtt tisztítsa meg a szerszámot, különös tekintettel a nyírópengékre. Kísérje el a pengevédőt a nyírópengéket, majd tegye rá a pengevédőt.
9. Az akkumulátor(oka)t ne dobja tűzbe. Az akkumulátor felrobbanhat. Nézzon utána, hogy a helyi törvények tartalmazzak-e az ártalmatlanításra vonatkozó különleges rendelkezéseket.
10. Ne nyissa fel és ne vágja szét az akkumulátor(oka)t. A kifolyt elektrolit korrozív hatású, továbbá a szem és a bőr sérülését okozhatja. Lenyelése mérgezést okozhat.
11. Ne töltsse az akkumulátort esőben vagy nedves helyen.

ŐRIZZE MEG EZEKET AZ UTASÍTÁSOKAT.

▲ FIGYELMEZTETÉS: NE HAGYJA, hogy (a termék többszöri használatából eredő) kényelem és megszokás váltsa fel a termék biztonsági előírásainak szigorú betartását. A **HELYTELEN HASZNÁLAT** és a használati útmutatóban szereplő biztonsági előírások megszegése súlyos személyi sérülésekhez vezethet.

Fontos biztonsági utasítások az akkumulátorra vonatkozóan

1. Az akkumulátor használata előtt tanulmányozza át az akkumulátortöltőt (1), az akkumulátort (2) és az akkumulátorral működtetett terméken (3) olvasható összes utasítást és figyelmeztető jelzést.
2. Ne szerelje szét, és ne módosítsa az akkumulátort. Tűzet, túlzott hőt vagy robbanást okozhat.
3. Ha a működési idő nagyon lerövidült, azonnal hagyja abba a használatot. Ez a túlmelegedés, esetleges égések és akár robbanás veszélyével is járhat.
4. Ha elektrolit kerül a szemébe, mossa ki az azt tiszta vízzel és azonnal kérjen orvosi segítséget. Ez a látásának elvesztését okozhatja.
5. Ne zárja rövidre az akkumulátort:
 - (1) Ne érjen az érintkezőkhöz elektromosan vezető anyagokkal.
 - (2) Ne tárolja az akkumulátort más fémtárgyakkal, mint pl. szegekkel, érmékkel, stb. egy helyen.
 - (3) Ne tegye ki az akkumulátort víznek vagy esőnek.

Az akkumulátor rövidzárlata nagy áramerősséget, túlmelegedést, égéseket, sőt akár meghibásodást is okozhat.
6. Ne tárolja és használja a szerszámot vagy az akkumulátort olyan helyen, ahol a hőmérséklet elérheti vagy meghaladhatja az 50 °C-t (122 °F).
7. Ne égesse el az akkumulátort még akkor sem, ha az komolyan megsérült vagy teljesen elhasználódott. Az akkumulátor a tűzben felrobbanhat.
8. Ne szűrje meg, ne vágja meg, ne törje össze, ne dobja el és ne ejtse le az akkumulátort, illetve ne üsse hozzá kemény tárgyhoz. Az ilyen magatartás tűzet, túlzott hőt vagy robbanást okozhat.
9. Ne használjon sérült akkumulátort.
10. A készülékben található lítium-ion akkumulátorokra a veszélyes árukkal kapcsolatos előírások vonatkoznak.

A termék pl. harmadik felek, fuvarozó cégek stb. által történő szállítása esetén minden esetben tartsa szem előtt a csomagoláson és a címkén található speciális követelményeket. A termék szállításra történő felkészítése esetén vegye fel a kapcsolatot egy veszélyes anyagokkal foglalkozó szakemberrel. Kérjük, hogy az esetlegesen szigorúbb nemzeti előírásokat is vegye figyelembe. Ragassza le a kiálló érintkezőket, illetve oly módon csomagolja be az akkumulátort, hogy az ne tudjon elmozdulni a csomagolásban.

11. Az akkumulátor ártalmatlanításakor vegye ki azt a szerszámból, és ártalmatlanítsa egy biztonságos helyen. Az akkumulátor ártalmatlanításakor tartsa be a helyi előírásokat.
12. Az akkumulátorokat csak a Makita által megjelölt termékekhez használja. Ha az akkumulátorokat azokkal nem kompatibilis termékekbe helyezi, az tűzhez, túlmelegedéshez, robbanáshoz vagy elektrolitszivárgáshoz vezethet.
13. Ha a szerszám hosszabb ideig nincs használatban, az akkumulátort ki kell venni a szerszámból.
14. Használat közben és után az akkumulátor felforrósodhat, ami égési sérülést vagy alacsony hőmérsékletű égési sérülést okozhat. Figyeljen oda a forró akkumulátor kezelésére.
15. Ne érintse meg közvetlenül a szerszám érintkezőjét, mert elég forró lehet ahhoz, hogy égési sérüléseket okozzon.
16. Ne engedje, hogy forgács, por vagy sár tapadjon az akkumulátor érintkezőire, lyukaiba és hornyaiiba. Az felmelegedést, tűzet, robbanást és a szerszám vagy az akkumulátor meghibásodását okozhatja, ami égési és személyi sérülésekhez vezet.
17. Hacsak a szerszám nem támogatja a nagyfeszültségű elektromos vezetékek közelében történő használatot, ne használja az akkumulátor nagyfeszültségű elektromos vezetékek közelében. Az a szerszám vagy az akkumulátor hibás működését vagy meghibásodását okozhatja.
18. Tartsa távol a gyerekektől az akkumulátort.

ŐRIZZE MEG EZEKET AZ UTASÍTÁSOKAT.

▲ VIGYÁZAT: Csak eredeti Makita akkumulátorokat használjon. A nem eredeti Makita akkumulátorok vagy módosított akkumulátorok használata esetén az akkumulátor felrobbanhat, ami tűzet, személyi sérülést és anyagi kárt okozhat. A Makita szerszámra és töltőre vonatkozó Makita garanciát is érvénytelenítheti.

Tippek az akkumulátor maximális élettartamának eléréséhez

1. Töltse fel az akkumulátort, mielőtt teljesen lemerülne. Állítsa le a gépet, és töltse fel az akkumulátort, ha a gép erejének csökkenését észleli.
2. Soha ne töltse újra a teljesen feltöltött akkumulátort. A túltöltés csökkenti az akkumulátor élettartamát.
3. Töltse az akkumulátort szobahőmérsékleten, 10 °C - 40 °C (50 °F - 104 °F) között. Töltés előtt hagyja lehűlni a fölforrósodott akkumulátort.
4. Ha nem használja az akkumulátort, vegye ki a szerszámból vagy a töltőből.
5. Töltse fel az akkumulátort, ha hosszabb ideje (több mint hat hónapja) nem használta azt.

ALKATRÉSZEK LEÍRÁSA

► Ábra1

1	Fej	2	Szögbeállító gomb	3	Reteszelőkar	4	Marokanya
5	Elülső markolat	6	Hátsó markolat	7	Akkumulátor	8	Kapcsológomb
9	Reteszelőgomb	10	Nyírópengék	-	-	-	-

A MŰKÖDÉS LEÍRÁSA

▲ VIGYÁZAT: Minden esetben ellenőrizze, hogy a szerszám ki van kapcsolva és az akkumulátor eltávolításra került mielőtt beállít vagy ellenőriz valamilyen funkciót a szerszámon.

Az akkumulátor behelyezése és eltávolítása

▲ VIGYÁZAT: Mindig kapcsolja ki az eszközt, mielőtt behelyezi vagy eltávolítja az akkumulátort.

▲ VIGYÁZAT: Az akkumulátor behelyezésekor vagy eltávolításakor erősen fogja meg a szerszámot és az akkumulátort. Ha nem fogja erősen a szerszámot és az akkumulátort, azok kicsúszhatnak a kezei közül, ami a szerszám és az akkumulátor károsodásához, de akár személyi sérüléshez is vezethet.

► **Ábra2:** 1. Piros jel 2. Gomb 3. Akkumulátor

Az akkumulátoregység kivételéhez nyomja be az akkumulátoregység elején található gombot, és húzza le a gépről.

Az akkumulátor beszereléséhez illesse az akkumulátor nyelvét a burkolaton található vajatba, és csúsztassa a helyére. Egészen addig tolja be, amíg az akkumulátor egy kis kattánással a helyére nem ugrik. Ha látható a piros jel az ábrán látható módon, akkor nem kattant be teljesen.

▲ VIGYÁZAT: Mindig tolja be teljesen az akkumulátort, amíg a piros jel el nem tűnik. Ha ez nem történik meg, akkor az akkumulátor kieshet a szerszámból, és Önnek vagy a környezetében másnak sérülést okozhat.

▲ VIGYÁZAT: Ne erőltesse az akkumulátort behelyezésre. Ha az akkumulátor nem csúszik be könnyedén, akkor nem megfelelően lett behelyezve.

Az akkumulátor töltöttségének jelzése

Csak állapotjelzős akkumulátorok esetén

► **Ábra3:** 1. Jelzőlámpák 2. Check (ellenőrzés) gomb

Nyomja meg az ellenőrzőgombot, hogy az akkumulátor töltöttség-jelző megmutassa a hátralévő akkumulátor-kapacitást. Ekkor a töltöttség-szint-jelző lámpák néhány másodpercre kigyulladnak.

Jelzőlámpák			Töltöttségi szint
Világító lámpa	KI	Villogó lámpa	
■ ■ ■ ■			75%-tól 100%-ig
■ ■ ■ □			50%-tól 75%-ig
■ ■ □ □			25%-tól 50%-ig
■ □ □ □			0%-tól 25%-ig
▣ □ □ □			Töltse fel az akkumulátort.
■ ■ □ □			Lehetséges, hogy az akkumulátor meghibásodott.
□ □ ■ ■			

MEGJEGYZÉS: Az adott munkafeltételektől és a környezet hőmérsékletétől függően a jelzett töltöttségi szint némileg eltérhet a tényleges töltöttségi szinttől.

MEGJEGYZÉS: Az első (bal oldali szélső) jelzőlámpa villog, ha az akkumulátorvédelem rendszer működik.

Szerszám-/akkumulátorvédelem rendszer

A gép szerszám-/akkumulátorvédelem rendszerrel van felszerelve. A rendszer automatikusan kikapcsolja a motor áramellátását, így megnöveli a szerszám és az akkumulátor élettartamát. A gép használat közben automatikusan leáll, ha a szerszám vagy az akkumulátor a következő állapotok valamelyikébe kerül:

Túlterhelésvédelem

Ha a szerszámot vagy akkumulátort úgy használják, hogy az rendellenesen nagy áramot vesz fel, a szerszám automatikusan leáll. Ilyenkor kapcsolja ki a szerszámot, és fejezze be azt a műveletet, amelyik a túlterhelést okozza. A munka újratekéréséhez kapcsolja be a szerszámot.

Túlmelegedés elleni védelem

Ha a szerszám vagy az akkumulátor túlmelegedett, a gép automatikusan leáll. Ilyenkor hagyja lehűlni a szerszámot és az akkumulátort, mielőtt ismét munkához látna.

Mélykisütés elleni védelem

Amikor az akkumulátor kapacitása már alacsony, a gép automatikusan leáll. Ebben az esetben távolítsa el az akkumulátort a szerszámból és töltsse fel.

A kapcsoló használata

FIGYELMEZTETÉS: Mielőtt behelyezi az akkumulátort a szerszámba, mindig ellenőrizze, hogy a kapcsológomb hibátlanul működik és felengedéskor „OFF” állásba áll-e.

FIGYELMEZTETÉS: Az Ön biztonsága érdekében ez a szerszám egy reteszelőgombbal van felszerelve, ami meggátolja a szerszám véletlen beindulását. Soha ne használja a szerszámot, ha az akkor is beindul, amikor Ön a reteszelőgomb megnyomása nélkül húzza meg a kapcsológombot. Javításért forduljon a helyi Makita szervizközpontoz.

FIGYELMEZTETÉS: Soha ne iktassa ki a reteszelő funkciót, és ne ragassza le a reteszelőgombot.

MEGJEGYZÉS: Ha nem nyomta le a reteszelőgombot, ne húzza túl erősen a kapcsológombot. A kapcsoló eltérhet.

► **Ábra4:** 1. Reteszelőgomb 2. Kapcsológomb

A kapcsológomb véletlen meghúzását egy kireteszelőgomb gátolja meg.

A szerszám bekapcsolásához nyomja le a reteszelőgombot, majd húzza meg a kapcsológombot. A megállításhoz engedje el a kapcsológombot. A reteszelőgombot bal és jobb oldalról is meg lehet nyomni.

A vágási szög beállítása

VIGYÁZAT: A fej kinyitása vagy behajlítása előtt mindig bizonyosodjon meg arról, hogy a szerszámot kikapcsolta, és a hálózatról lecsatlakoztatta.

VIGYÁZAT: A fej behajlításakor a szerszám szállításához vagy a szerszám használata után a fej behajlítása előtt csatlakoztassa a késvédőt.

VIGYÁZAT: A fej behajlításakor ügyeljen rá, hogy ne csipje be az ujját a szerszám feje és a teste közé.

A fej szögét 10 lépésben lehet beállítani. A fejszög módosításához kövesse az alábbi lépéseket.

1. Tartsa a fejet és a szerszámtestet az ábrának megfelelően.

► **Ábra5:** 1. Fej 2. Szögbeállító gomb

2. Állítsa be a fej szögét, miközben lenyomva tartja a szögbeállító gombot, majd engedje fel a szögbeállító gombot.

3. Óvatosan mozgassa a fejet, amíg a helyére nem kattan.

MEGJEGYZÉS: A szerszám használata előtt ellenőrizze, hogy a fej biztonságosan rögzül-e.

A cső hosszának beállítása

VIGYÁZAT: Mielőtt beállítja a cső hosszát, mindig bizonyosodjon meg arról, hogy a szerszámot kikapcsolta.

VIGYÁZAT: A cső hosszának beállításakor győződjön meg róla, hogy csatlakoztatta a pengevédőt, mielőtt állítana a cső hosszán.

VIGYÁZAT: A cső hosszának beállítása közben ügyeljen arra, hogy ne csipje be az ujjait.

VIGYÁZAT: Győződjön meg arról, hogy a reteszelőkar megfelelően rögzült.

VIGYÁZAT: A cső hosszának beállításakor fektesse a szerszámot az oldalára. Ha felállítja a szerszámot, a fej hirtelen lejön, ami sérülést okozhat.

Lazítsa meg a reteszelőkart, majd állítsa be a cső hosszúságát, és zárja a reteszelőkart.

► **Ábra6:** 1. Reteszelőkar

Az elülső markolat helyzetének beállítása

VIGYÁZAT: Mielőtt az elülső markolat helyzetét beállítja, mindig bizonyosodjon meg arról, hogy a szerszámot kikapcsolta.

VIGYÁZAT: Az elülső markolat helyzete beállítása közben ügyeljen arra, hogy ne csipje be az ujjait.

VIGYÁZAT: Győződjön meg róla, hogy a marokanyát biztonságosan megszorította.

VIGYÁZAT: Ne mozgassa az elülső markolatot a nyíl jelen túl.

Az elülső markolat helyzetének beállításához lazítsa meg a marokanyát az óramutató járásával ellentétes irányba forgatva, majd állítsa be az elülső markolat helyzetét, és húzza meg a marokanyát az óramutató járásával egyező irányba forgatva azt.

► **Ábra7:** 1. Marokanya 2. Nyíl jel

ÖSSZESZERELÉS

VIGYÁZAT: Minden esetben ellenőrizze, hogy a szerszám ki van kapcsolva és az akkumulátort levette, mielőtt bármilyen műveletet végez a szerszámon.

VIGYÁZAT: A nyírópengék cseréjéhez mindig viseljen kesztyűt, hogy a keze ne érjen közvetlenül a pengékhez.

A nyírópengék felszerelése és eltávolítása

⚠ VIGYÁZAT: A nyírópengék eltávolítása és felszerelése előtt szerelje fel a védőburkolatot.

MEGJEGYZÉS: Ne törölje le a zsírt a fogaskekről és a hajtótárcsáról.

MEGJEGYZÉS: A nyírópengék felszerelése vagy eltávolítása előtt hajtsa ki a szerszám fejét, hogy az egyenesen álljon a szerszám testéhez képest.

1. Fordítsa a szerszámot fejjel lefelé.
2. Csavarhúzóval távolítsa el a 4 csavart, majd távolítsa el a nyírópengéket.
▶ **Ábra8:** 1. Csavar
3. Szerelje le a hajtótárcsát a nyírópengékről.
▶ **Ábra9:** 1. Hajtótárcsa

MEGJEGYZÉS: A hajtótárcsa a szerszámon maradhat.

4. Készítse elő a hajtótárcsát, és az új nyírópengéket.
▶ **Ábra10:** 1. Hajtótárcsa 2. Nyírópengék
5. Távolítsa el a penge védőburkolatát, majd szerelje fel azt az új nyírópengékre.
6. Vigyen fel kis mennyiségű zsírt a hajtótárcsa szélére. Csatlakoztassa a csavaralátétet, a tárcsát és a hajtótárcsát sorban a csaphoz.
▶ **Ábra11:** 1. Hajtótárcsa 2. Tárcsa 3. Csavaralátét 4. Csap
7. Úgy állítsa be a hajtótárcsát, hogy a 2 kis furat a hajtótárcsán egyvonalba kerüljön az illesztővonal mentén az ábrán látható módon.
▶ **Ábra12:** 1. Illesztővonal 2. Kis furat
8. Tolja el a nyírópengéket úgy, hogy a vezetőlemezen található lyuk a pengéken található gyűrűk közepén legyen.
▶ **Ábra13:** 1. Vezetőlemez
9. Illessze a 2. lépésben eltávolított csavart a nyírópengéken található furatba a pengevédő furatán keresztül.
▶ **Ábra14:** 1. Furat
10. Csatlakoztassa a nyírópengéket a szerszámhoz, majd húzza meg a 3 csavart a csavarhúzóval.
▶ **Ábra15:** 1. Csavar
11. Távolítsa el a 9. lépésben a nyírópengéken található furatba dugott csavart, majd húzza meg a nyírópengék rögzítéséhez.

MEGJEGYZÉS: Ha a nyírópengék nem megfelelően működnek, a pengék nem csatlakoznak megfelelően a hajtótárcsához. Távolítsa el a pengéket, és szerelje fel őket újra.

MEGJEGYZÉS: Ha a nyírópengéken kívüli egyéb alkatrész, például a forgattyú elhasználódik, forduljon egy hivatalos Makita szervizközponthoz cserealkatrészért vagy javításért.

A forgácstálca felszerelése és eltávolítása

Opcionális kiegészítők

⚠ VIGYÁZAT: A forgácstálca felszerelésekor vagy eltávolításakor mindig viseljen kesztyűt, hogy a keze ne érjen közvetlenül a nyírópengékhez.

⚠ VIGYÁZAT: Csatlakoztassa a pengevédőt a forgácstálca felszerelése vagy eltávolítása előtt.

A forgácstálca összegyűjti a levágott leveleket, és megkönnyíti a munka elvégzése utáni takarítást. Felszerelhető a gép mindkét oldalára.

1. Illessze a forgácstálca furatait a nyírópengéken található anyákhoz.
▶ **Ábra16:** 1. Anya
2. Akassza a forgácstálca karmait a nyírópengéken található vágatba.
▶ **Ábra17:** 1. Karom 2. Vágat
3. Nyomja meg a forgácstálcán található karokat, majd akassza a másik oldali karmokat a nyírópengéken található vágatba.
▶ **Ábra18:** 1. Kar

A forgácstálca eltávolításához nyomja meg a karokat a karmok kioldásához.

▶ **Ábra19:** 1. Kar

MEGJEGYZÉS: Soha ne próbálja túlzott erővel eltávolítani a forgácstálcát, amikor a karmai rögzítve vannak a nyírópengék vágataiba.

MŰKÖDTETÉS

A szerszám működtetése

⚠ FIGYELMEZTETÉS: Ne használja a szerszámot elektromos vezetékek közelében. Az elektromos vezetékekkel való érintkezés vagy a szerszám azok közelében történő használata súlyos sérüléseket vagy áramütést okozhat, ami halálhoz vezethet.

⚠ FIGYELMEZTETÉS: Tartsa távol a kezét a nyírópengéktől.

⚠ FIGYELMEZTETÉS: Mindig különösen óvatosan dolgozzon, ezzel biztosítva a gép feletti uralom megtartását. Ne hagyja, hogy a gép maga felé vagy a munkavégzés közelében tartózkodó személyek felé dőljön. A gép feletti uralom elvesztése a kezelő és a közelben tartózkodó személyek súlyos sérülését okozhatja.

⚠VIGYÁZAT: Nagy hőségben lehetőleg ne használja a gépet. A gép használatakor ügyeljen a saját fizikai állapotára.

⚠VIGYÁZAT: Ügyeljen rá, nehogy véletlenül hozzérjen egy fémkerítéshez vagy más kemény tárgyhoz a nyírás közben. A nyírópengék eltörtnek, és sérülést okozhatnak.

⚠VIGYÁZAT: Ügyeljen rá, hogy a nyírópengék ne érintkezzenek a talajjal. A szerszám visszarúghat, és sérüléseket okozhat.

⚠VIGYÁZAT: Ha túl messzire nyúl a sövény-nyíróval, különösen egy létráról, az rendkívül veszélyes. Ne dolgozzon semmilyen billegő vagy nem stabil helyről.

MEGJEGYZÉS: Ne próbáljon meg 10 mm-nél vastagabb átmérőjű ágakat átvágni a szerszámmal. A szerszám használata előtt egy ágvágó segítségével vágja a vágási magasságnál 10 cm-rel kisebbre az ágakat.

▶ **Ábra20:** (1) Vágási magasság (2) 10 cm

MEGJEGYZÉS: Ne vágjon kiszáradt fákat, vagy más kemény tárgyakat. Ha így tesz, azzal a szerszám károsodását okozhatja.

MEGJEGYZÉS: Ne vágjon füvet vagy gyomot a nyírópengékkel. A nyírópengék beleakadhatnak a fűbe vagy a gyomokba.

Tartsa a szerszámot mindkét kézzel az elülső és a hátsó markolatnál fogva.

▶ **Ábra21:** 1. Elülső markolat 2. Hátsó markolat

Húzza a kapcsológombot, miközben nyomja a reteszjelgombot, majd mozdítsa a szerszámot előre.

▶ **Ábra22**

Az alapműködéshez döntse a nyírópengéket a nyírás irányába, majd nyugodt, lassú tempóban, méterenként 3–4 másodperces sebességgel mozgassa.

▶ **Ábra23**

Segíthet a sövény oldalának egyenesre nyírásában, ha alulról felfelé halad a vágással.

▶ **Ábra24**

Ha lekerekített formát nyír (például puszpángot vagy rododendront), a szép forma elérése érdekében a gyökerektől haladjon felfelé.

▶ **Ábra25**

Ha a forgácstálca fel van szerelve a nyírópengékre, az összegyűjti a levágott leveleket, és megkönnyíti a munka elvégzése utáni takarítást.

▶ **Ábra26**

KARBANTARTÁS

⚠VIGYÁZAT: Minden esetben ellenőrizze, hogy a szerszám ki van kapcsolva és az akkumulátor eltávolításra került mielőtt átvizsgálja a szerszámot vagy annak karbantartását végzi.

⚠VIGYÁZAT: A szerszám vizsgálata vagy karbantartása során mindig tegye azt le. A szerszám álló helyzetben történő összeszerelése és beállítású súlyos sérüléseket okozhat.

A termék BIZTONSÁGÁNAK és MEGBIZHATÓSÁGÁNAK fenntartása érdekében a javításokat és más karbantartásokat vagy beállításokat a Makita hivatalos vagy gyári szervizközpontjában kell elvégezni, mindig csak Makita cserealkatrészeket használva.

A szerszám tisztítása

A szerszámról egy száraz, vagy egy szappanos vízbe mártott és kicsavart ruhával törölje le a port.

MEGJEGYZÉS: Soha ne használjon gázolajt, benzint, hígítót, alkoholt vagy hasonló anyagokat. Ezek elszíneződést, alakvesztést vagy repedést okozhatnak.

Nyírópenge karbantartása

Munkavégzés előtt és munkavégzés közben óránként vigyen fel alacsony viszkozitású olajat (gépolajat vagy aeroszolos kenőolajat) a nyírópengékre.

▶ **Ábra27**

A használat után egy drótkéfével távolítsa el a port a nyírópengék mindkét oldaláról, törölje le azokat egy ruhával, majd kenje meg alacsony viszkozitású olajjal (gépolajjal vagy aeroszolos kenőolajjal).

▶ **Ábra28**

MEGJEGYZÉS: Ne mossa a nyírópengéket vízben. Ha így tesz, azzal a szerszám rozsdásodását vagy károsodását okozhatja.

MEGJEGYZÉS: A szennyeződés és a rozsdásodás a pengék túlzott súrlódását eredményezi, és lerövidíti az akkumulátor töltésenkénti biztosított üzemidejét.

Tárolás

Helyezze fel a védőburkolatot a nyírópengékre úgy, hogy a pengék ne látszanak. A szerszámot olyan helyen tárolja, ahol gyerekek nem érhetik el. A szerszámot olyan helyen tárolja, amely nincs kitéve nedvességnek vagy esőnek.

HIBAEHÉLYZETEK

Mielőtt a szervizhez fordulna, először végezzen saját maga is átvizsgálást. Ha olyan problémát talál, amire a kézikönyv nem tartalmaz magyarázatot, ne próbálja meg szétszedni az eszközt. Ehelyett kérjen tanácsot a Makita hivatalos szervizközpontjától, és javításhoz mindig Makita cserealkatrészeket használjon.

Rendellenesség	Lehetséges ok (meghibásodás)	Megoldás
A motor nem működik.	Az akkumulátor nincs a gépben.	Helyezze a gépbe az akkumulátort.
	Akkumulátorprobléma (alacsony feszültség)	Töltse fel az akkumulátort. Ha az újratöltés nem elég hatékony, cserélje ki az akkumulátort.
	A meghajtórendszer nem működik megfelelően.	Javításért forduljon a kijelölt helyi szervizhez.
A motor rövid használat után leáll, vagy a motor nem működik.	Az akkumulátor töltési szintje alacsony.	Töltse fel az akkumulátort. Ha az újratöltés nem elég hatékony, cserélje ki az akkumulátort.
	Túlmelegedés.	Hagyja abba a gép használatát, és várja meg, amíg lehűl.
A szerszám nem éri el a maximális fordulatszámot.	Az akkumulátort helytelenül szerelték be.	Az akkumulátort az útmutató szerint szerelje be.
	Az akkumulátor feszültsége nagy mértékben csökken.	Töltse fel az akkumulátort. Ha az újratöltés nem elég hatékony, cserélje ki az akkumulátort.
	A meghajtórendszer nem működik megfelelően.	Javításért forduljon a kijelölt helyi szervizhez.
A nyírópengék nem mozognak: ⇒ azonnal állítsa le a gépet!	A nyírópengék szöge nem megfelelő.	Ellenőrizze, hogy a fej megfelelően van-e rögzítve a működési szögben.
	Idegen tárgyak vannak beszorulva a nyírópengék közé.	Kapcsolja ki a szerszámot, és távolítsa el az akkumulátort, majd távolítsa el az idegen tárgyakat egy szerszám, például fogó segítségével.
	A meghajtórendszer nem működik megfelelően.	Javításért forduljon a kijelölt helyi szervizhez.
A gép rendellenesen rezeg: ⇒ azonnal állítsa le a gépet!	A nyírópengék törtek, görbék vagy tompák.	Cserélje ki a nyírópengéket.
	A meghajtórendszer nem működik megfelelően.	Javításért forduljon a kijelölt helyi szervizhez.
A nyírópengék és a motor nem állnak le: ⇒ Haladéktalanul távolítsa el az akkumulátort!	Elektromos hiba.	Vegye ki az akkumulátort, és javításért forduljon a kijelölt helyi szakszervizhez.

OPCIONÁLIS KIEGÉSZÍTŐK

⚠ VIGYÁZAT: Ezen kiegészítőket és tartozékokat javasoljuk a kézikönyvben ismertetett Makita szerszámhoz. Bármilyen más kiegészítő vagy tartozék használata a személyi sérülés kockázatával jár. A kiegészítőt vagy tartozékokat csak rendeltetészerűen használja.

Ha bármilyen segítségre vagy további információra van szüksége ezekkel a tartozékokkal kapcsolatban, keresse fel a helyi Makita Szervizközpontot.

- Nyírópenge szerelvény
- Forgácstálca
- Zsírzó edény
- Eredeti Makita akkumulátor és töltő

MEGJEGYZÉS: A listán felsorolt néhány kiegészítő megtalálható az eszköz csomagolásában standard kiegészítőként. Ezek országonként eltérőek lehetnek.

TECHNICKÉ ŠPECIFIKÁCIE

Model:	DUN461W
Dĺžka čepele	460 mm
Pohyby za minútu	3 600 min ⁻¹
Uhol reznej čepele	135° (nahor 60°, nadol 75°)
Celková dĺžka	1 889 - 2 511 mm
Menovité napätie	Jednosmerný prúd 18 V
Čistá hmotnosť	3,0 – 3,3 kg

- Vzhľadom k neustálemu výskumu a vývoju podliehajú technické údaje uvedené v tomto dokumente zmenám bez upozornenia.
- Technické údaje sa môžu pre rôzne krajiny líšiť.
- Hmotnosť sa môže líšiť v závislosti od nadstavcov vrátane akumulátora. Najľahšia a najťažšia kombinácia v súlade s postupom EPTA 01/2014 je uvedená v tabuľke.

Použiteľné akumulátory a nabíjačky

Akumulátor	BL1815N / BL1820B / BL1830B / BL1840B / BL1850B / BL1860B
Nabíjačka	DC18RC / DC18RD / DC18RE / DC18SD / DC18SE / DC18SF / DC18SH / DC18WC

- Niektoré vyššie uvedené akumulátory a nabíjačky môžu byť nedostupné v závislosti od miesta vášho bydliska.

VAROVANIE: Používajte iba akumulátory a nabíjačky zo zoznamu uvedeného vyššie. Používanie akýchkoľvek iných akumulátorov a nabíjačiek môže spôsobiť zranenie a/alebo požiar.

Odporúčaný káblom pripájaný napájací zdroj

Prenosný napájací zdroj	PDC01
-------------------------	-------

- Vyššie uvedené káblom pripájané napájacie zdroje nemusia byť dostupné v závislosti od miesta vášho bydliska.
- Pred použitím káblom pripájaného napájacieho zdroja si prečítajte pokyny a na nich uvedené označenia s upozornením.

Symbols

Nižšie sú uvedené symboly, ktoré sa môžu používať pri tomto nástroji. Je dôležité, aby ste poznali ich význam, skôr než začnete pracovať.

	Prečítajte si návod na obsluhu.
	Nevystavujte účinkom vlhkosti.
	Používajte prilbu, okuliare a chrániče sluchu.
	NEBEZPEČENSTVO – Nepribližujte sa rukami k čepeľi.
	Dávajte pozor na elektrické vedenia, hrozí zásah elektrickým prúdom.
	Dodržiavajte aspoň 15 m vzdialenosť.



Len pre štáty EÚ

Z dôvodu prítomnosti nebezpečných komponentov v zariadení môžu mať odpad z elektrických a elektronických zariadení, použité akumulátory a batérie negatívny vplyv na životné prostredie a ľudské zdravie. Elektrické a elektronické zariadenia alebo akumulátory nelikvidujte spolu s komunálnym odpadom! V súlade s európskou smernicou o odpade z elektrických a elektronických zariadení, o akumulátoroch a batériách a odpade z akumulátorov a batérií, ako aj v súlade s prispôbenými vnútroštátnymi právnymi predpismi by sa odpad z elektrických a elektronických zariadení a použité akumulátory a batérie mali uskláňovať osobitne a odovzdávať na samostatnom zbernom mieste pre komunálny odpad, ktoré sa prevádzkuje v súlade s predpismi na ochranu životného prostredia. Označujte to symbol preškrtnutej smetnej nádoby na zariadení.



Zaručená hladina akustického výkonu podľa smernice EÚ o vonkajšom hluku.



Hladina akustického výkonu podľa nariadenia austrálskeho NSW o znižovaní hluku

Určené použitie

Toto zariadenie je určené na strihanie živých plotov.

Hluk

Typická hladina akustického tlaku zátáže A určená podľa štandardu EN62841-4-2:

Úroveň akustického tlaku (L_{pA}): 74 dB (A)

Odchýlka (K): 3 dB (A)

Úroveň hluku pri práci môže prekročiť 80 dB (A).

POZNÁMKA: Deklarovaná hodnota emisií hluku bola meraná podľa štandardnej skúšobnej metódy a môže sa použiť na porovnanie jedného nástroja s druhým.

POZNÁMKA: Deklarovaná hodnota emisií hluku sa môže použiť aj na predbežné posúdenie vystavenia ich účinkom.

VAROVANIE: Používajte ochranu sluchu.

VAROVANIE: Emisie hluku sa môžu počas skutočného používania elektrického nástroja odlišovať od deklarovanej hodnoty, a to v závislosti od spôsobov používania náradia a najmä typu spracúvaného obrobku.

VAROVANIE: Nezabudnite označiť bezpečnostné opatrenia s cieľom chrániť obsluhu, a to tie, ktoré sa zakladajú na odhade vystavenia účinkom v rámci reálnych podmienok používania (berúc do úvahy všetky súčasti prevádzkového cyklu, ako sú doby, kedy je nástroj vypnutý a kedy beží bez zaťaženia, ako dodatok k dobe zapnutia).

Vibrácie

Platná norma : EN62841-4-2

Ľavá ruka (predné držadlo)		Pravá ruka (zadné držadlo)	
a_h (m/s^2)	Odchýlka K (m/s^2)	a_h (m/s^2)	Odchýlka K (m/s^2)
2,5 m/s^2 alebo menej	1,5	2,5 m/s^2 alebo menej	1,5

POZNÁMKA: Deklarovaná celková hodnota vibrácií bola meraná podľa štandardnej skúšobnej metódy a môže sa použiť na porovnanie jedného nástroja s druhým.

POZNÁMKA: Deklarovaná celková hodnota vibrácií sa môže použiť aj na predbežné posúdenie vystavenia ich účinkom.

VAROVANIE: Emisie vibrácií sa môžu počas skutočného používania elektrického nástroja odlišovať od deklarovanej hodnoty, a to v závislosti od spôsobov používania náradia a najmä typu spracúvaného obrobku.

VAROVANIE: Nezabudnite označiť bezpečnostné opatrenia s cieľom chrániť obsluhu, a to tie, ktoré sa zakladajú na odhade vystavenia účinkom v rámci reálnych podmienok používania (berúc do úvahy všetky súčasti prevádzkového cyklu, ako sú doby, kedy je nástroj vypnutý a kedy beží bez zaťaženia, ako dodatok k dobe zapnutia).

Vyhlasenie o zhode ES

Len pre krajiny Európy

Vyhlasenie o zhode ES sa nachádza v prílohe A tohto návodu na obsluhu.

BEZPEČNOSTNÉ VAROVANIA

Všeobecné bezpečnostné predpisy pre elektrické nástroje

VAROVANIE: Preštudujte si všetky bezpečnostné varovania, pokyny, vyobrazenia a technické špecifikácie určené pre tento elektrický nástroj. Pri nedodržaní všetkých nižšie uvedených pokynov môže dôjsť k úrazu elektrickým prúdom, požiaru alebo vážnemu zraneniu.

Všetky výstrahy a pokyny si odložte pre prípad potreby v budúcnosti.

Pojem „elektrický nástroj“ sa vo výstrahách vzťahuje na elektricky napájané elektrické nástroje (s káblom) alebo batériou napájané elektrické nástroje (bez kábla).

Bezpečnostné varovania pre akumulátorový tyčový plotostrih

1. **Všetky časti tela udržiavajte v bezpečnej vzdialenosti od reznej čepele. Počas doby, kedy sa čepele pohybujú, neodstraňujte odrezaný materiál ani nedržte materiál, ktorý budete odrezávať.** Čepele sa ďalej pohybujú aj po vypnutí stroja. Chvilka nepozornosti počas používania plotostrihu môže spôsobiť vážne osobné poranenie.
2. **Držte plotostrih za rukoväť s čepeľou bez pohybu a dávajte pozor, aby ste neaktivovali žiadny vypínač.** Správnym nosením plotostrihu znížite riziko neúmyselného spustenia a následného zranenia čepeľami.

3. **Počas prepravy alebo skladovania plotostrihu vždy nasadíte na čepele kryt.** Správnu manipuláciu s plotostrihom znížite riziko zranenia čepeľami.
4. **Pri čistení zaseknutého materiálu alebo údržbe zariadenia sa uistíte, že všetky vypínače sú vypnuté a akumulátorová batéria je vybratá a odpojená.** Neočakávané spustenie plotostrihu pri čistení zaseknutého materiálu alebo pri vykonávaní údržby môže spôsobiť vážne zranenie.
5. **Plotostrih držte len za izolované plochy na uchopenie, pretože čepeľ sa môže dostať do kontaktu so skrytými vodičmi.** Čepele, ktoré sa dostanú do kontaktu s vodičom pod napätím, môžu spôsobiť prechod elektrického prúdu odhalenými kovovými časťami plotostrihu a spôsobiť obsluhu zásah elektrickým prúdom.
6. **Všetky napájacie káble udržiavajte v bezpečnej vzdialenosti od rezacej oblasti.** V živých plotoch alebo kríkoch môžu byť skryté napájacie káble, ktoré môže čepeľ náhodne prerezať.
7. **Plotostrih nepoužívajte počas zlých poveternostných podmienok, najmä ak hrozí riziko bleskov.** Znížite tým riziko zásahu bleskom.
8. **Na zníženie rizika zásahu elektrickým prúdom so smrteľnými následkami nikdy nepoužívajte tyčový plotostrih v blízkosti žiadnych elektrických napájacích káblov.** Pri kontakte s elektrickým vedením alebo pri práci v jeho blízkosti môže dôjsť k vážnym zraneniam alebo zásahu elektrickým prúdom s následkom smrti.
9. **Pri práci s tyčovým plotostrihom vždy používajte obe ruky.** Na zabránenie strate kontroly držte tyčový plotostrih oboma rukami.
10. **Pri práci s tyčovým plotostrihom nad hlavou vždy používajte ochranu hlavy.** Padajúce odstrihnuté časti môžu spôsobiť vážne poranenia.
8. **S nožnicami na živé ploty pracujte, len ak ste v dobrom fyzickom stave.** Ak ste unavení, vaša pozornosť bude znížená. Zvlášť opatrní buďte na konci pracovného dňa. Všetky úkony vykonávajte pokojne a dôkladne. Používateľ je zodpovedný za škody spôsobené tretím stranám.
9. **Pred začatím práce skontrolujte, že sú nožnice v dobrom a bezpečnom prevádzkovom stave.** Skontrolujte, či sú chrániče nasadené správnym spôsobom. Nožnice na živé ploty sa nesmú používať, pokiaľ nie sú úplne zmontované.
10. **Vyhňte sa nebezpečným prostrediam.** Náradie nepoužívajte vo vlhkých a mokrych prostrediach ani ho nevystavujte účinkom dažďa. Ak do náradia vnikne voda, zvýši sa tým riziko zasiahnutia elektrickým prúdom.

Osobné ochranné pomôcky

1. **Pracovné rukavice z hrubej kože predstavujú základné vybavenie pre nožnice na živý plot a pri práci s nimi je nutné tieto ochranné pomôcky vždy používať.** Vždy používajte hrubé topánky s podrážkou zabraňujúcou pošmyknutiu.
2. **Na zabránenie poškodeniu sluchu používajte ochranu sluchu, ako sú napríklad tlmiče na uši.**
3. **Používajte ochranné okuliare, bezpečnostnú prilbu a ochranné rukavice, aby ste sa chránili pred odletujúcimi úlomkami alebo padajúcimi predmetmi.**
4. **Pri manipulácii s čepeľami alebo nastavovaní uhla čepeľi používajte ochranné rukavice.** Na čepeľiach si môžete vážne porezať ruky.

Prevádzka

1. **Pri práci s náradím vždy používajte obe ruky.** Pri držaní náradia len jednou rukou môže dôjsť k strate kontroly a následnému vážnemu poraneniu.
2. **Pri používaní náradia sa vždy uistíte, že pracovná poloha je bezpečná.** Snaha dosiahnuť s náradím príliš ďaleko, a to zvlášť z rebrika, je veľmi nebezpečná. Činnosť nevykonávajte, keď stojíte na akomkoľvek vratkom alebo nestabilnom povrchu.
3. **Pri používaní náradia nepoužívajte naraz viacero pásových a/alebo ramenných postrojov.**
4. **Počas prevádzky zabezpečte, aby sa okolostojace osoby alebo zvieratá zdržiavali vo vzdialenosti aspoň 15 m od nástroja.** Ak sa ktokoľvek priblíži, okamžite vypnite nástroj.
5. **Ak sečné náradie narazí na akýkoľvek predmet alebo začne vydávať nezvyčajný hluk alebo vibrácie, okamžite náradie vypnite, odpojte akumulátor a nechajte náradie, aby sa zastavilo.** Potom vykonajte nasledujúce kroky:
 - zistíte poškodenie
 - skontrolujte a utiahnite všetky uvoľnené diely
 - dajte všetky poškodené diely opraviť alebo vymeniť za originálne náhradné diely.
6. **Náradie používajte len na jeho určený účel.** Náradie nepoužívajte na žiadne iné účely.

Ďalšie bezpečnostné pokyny

Príprava

1. **TENTO PLOTOSTRIH MÔŽE SPŮSOBIŤ VÁŽNE PORANENIA.** Na správnu manipuláciu, prípravu, údržbu, spúšťanie a vypnutie náradia si dôkladne prečítajte tieto pokyny. Oboznámte sa so všetkými ovládacími prvkami a správnym používaním náradia.
2. **Pred použitím nástroja skontrolujte, či ploty alebo kríky neobsahujú cudzie predmety, ako napríklad drôtené ploty alebo skryté káble.**
3. **Nožnice na živé ploty nesmú používať deti a mladiství do veku 18 rokov.** Na osoby staršie ako 16 rokov toto obmedzenie nemusí vzťahovať, ak absolvujú zaškolenie pod dohľadom odborníka.
4. **V núdzových prípadoch okamžite vypnite náradie a odpojte akumulátor.**
5. **NEBEZPEČENSTVO - Ruky držte v dostatočnej vzdialenosti od čepele.** Kontakt s čepeľou bude mať za následok vážne osobné poranenia.
6. **Neskúseným používateľom by mal používanie plotostrihu predviesť skúsený používateľ tohto náradia.**
7. **Pred vykonávaním práce zistite, či sa na pracovisku nenachádzajú pletivové ploty, kamene alebo iné pevné predmety.** Tieto predmety by mohli spôsobiť poškodenie čepeľi.

7. **Vypnite náradie a vyberte akumulátor pred vykonávaním nasledujúcich činností:**
 - čistenie alebo pri čistení v prípade zablokovania,
 - kontrola, vykonávanie údržby alebo akejkolvek práce na náradí,
 - nastavovanie pracovnej polohy strihacích čepeľí,
 - vždy, keď nechávate náradie bez dozoru.
8. **Pred spustením náradia sa vždy uistite, že náradie je správne umiestnené v určenej pracovnej polohe.**
9. **Náradie nepoužívajte, ak sú poškodené alebo nadmerne opotrebované strihacie čepele.**
10. **Vždy buďte v strehu a dávajte pozor na svoje okolie a možné nebezpečenstvá, o ktorých nemusíte vedieť z dôvodu hluku náradia.**
11. **Počas činnosti dávajte pozor, aby ste náhodou neprišli do styku s kovovým oplotením alebo inými tvrdými predmetmi.** Čepele sa môžu zlomiť a spôsobiť vážne zranenie.
12. **Zabráňte náhodnému spusteniu. Neprenášajte náradie s nainštalovaným akumulátorom a s prstom na spínači. Pri inštalácii akumulátora sa uistite, že spínač je vypnutý.**
13. **Pri dvíhaní alebo držaní náradia sa nedotýkajte odhalených rezných čepeľí ani rezných hrán.**
14. **Nevyvíjajte na nástroj veľký tlak.** Pri hodnotách, na ktoré bolo skonštruované, bude vykonávať svoju činnosť lepšie a s menšou pravdepodobnosťou vzniku rizika alebo poranení.
15. **Náradie nepoužívajte počas dažďa alebo vo veľmi vlhkom prostredí.** Elektrický motor nie je vodotesný.
16. **Počas používania zariadenie držte pevne.**
17. **Nepoužívajte náradie zbytočne bez záťaže.**
18. **Pred kontrolou strihacích čepeľí, odstraňovaním porúch alebo v prípade odstraňovania materiálu zachyteného v strihacích čepeľiach náradie vždy vypnite a vyberte akumulátor.**
19. **Čepele nožnic nikdy nemierne na seba ani na iných.**
20. **Ak sa čepele prestanú pohybovať v dôsledku zaseknutia cudzích predmetov medzi čepeľami počas prevádzky, vypnite nástroj, vyberte akumulátor a pomocou náradia, ako sú kliešte, odstráňte cudzie predmety.** Ak budete cudzie predmety vyberať rukami, môže dojsť k ublíženiu na zdraví vzhľadom na skutočnosť, že čepele sa môžu pohnúť pri reakcii na odstraňovanie cudzích predmetov.

Bezpečnosť pri práci s elektrickými náradím a akumulátorom

1. **Vyhňte sa nebezpečným prostrediam. Nástroj nepoužívajte vo vlhkých alebo mokrych prostrediach ani ho nevystavujte účinkom dažďa.** Ak do nástroja vnikne voda, zvýši sa tým riziko zasiahnutia elektrickým prúdom.
2. **Akumulátor(y) nelikvidujte odhodením do ohňa.** Článok môže vybuchnúť. Informácie o možných zvláštnych predpisoch týkajúcich sa likvidácie nájdete v miestnych zákonoch.
3. **Akumulátor(y) neotvárajte ani neznehodnocujte.** Uvoľnený elektrolyt je leptavý a môže spôsobiť poškodenie zraku alebo pokožky. V prípade požitia môže byť jedovatý.

4. **Batériu nenabíjajte na daždi ani na mokrych miestach.**
5. **Akumulátor nenabíjajte v exteriéri.**
6. **Nedotýkajte sa nabíjačky vrátane zástrčky a nabíjajúcich svoriek mokrymi rukami.**

Údržba a uskladnenie

1. **Keď je náradie zastavené na účely vykonávania servisu, kontroly alebo uskladnenia, vypnite náradie, vyberte akumulátor a uistite sa, že všetky pohyblivé časti sa úplne zastavili.** Pred vykonávaním akejkolvek kontroly, nastavenia atď. nechajte náradie vychladnúť.
2. **Pred uskladnením nechajte náradie vychladnúť.**
3. **Keď náradie nepoužívate, dajte na čepeľ kryt a uskladnite ho vo vnútri na suchom a dobre uzamknutom mieste – mimo dosahu detí.**
4. **Údržbu náradia vykonávajte dôsledne.** Na dosiahnutie maximálnej výkonnosti a zníženie rizika poranenia udržiavajte reznú hranu ostrú a čistú. Pri mazaní a výmene príslušenstva sa riadte príslušnými pokynmi. Držadlá udržiavajte suché, čisté, bez znečistenia olejom a mazivom.
5. **Kontrolujte prípadné poškodenie súčastí.** Pred ďalším používaním náradia je potrebné dôkladne skontrolovať, či nie je poškodený akýkoľvek diel s cieľom overiť správne fungovanie a určenú funkciu. Skontrolujte či sú pohyblivé diely zarovnané, či nie sú uviaznuté, či niektoré diely nie sú zlomené, zle namontované, a či sú v takom stave, ktorý nebude mať negatívny vplyv na prevádzku. Chránič alebo iné poškodené diely sa musia správne opraviť alebo vymeniť v autorizovanom servisnom stredisku.
6. **Používajte iba originálne náhradné diely.**
7. **Počas prenášania náradia na iné miesto vrátane prenášania počas vykonávania práce vždy vyberte akumulátor a na strihacie čepele nasadte kryt.** Nikdy neprenášajte náradie s pohybujúcimi sa čepeľami. Čepele nikdy nechyťte rukou.
8. **Po použití a pred dlhodobým uskladnením náradie vyčistite, a to hlavne strihacie čepele.** Strihacie čepele zľahka naolejujte a nasadte kryt.
9. **Akumulátor(y) nelikvidujte odhodením do ohňa.** Článok môže vybuchnúť. Informácie o možných zvláštnych predpisoch ohľadne likvidácie nájdete v miestnych zákonoch.
10. **Akumulátor(y) neotvárajte ani neznehodnocujte.** Uvoľnený elektrolyt je leptavý a môže spôsobiť poškodenie zraku alebo pokožky. V prípade požitia môže byť jedovatý.
11. **Batériu nenabíjajte na daždi ani na mokrych miestach.**

TIETO POKYNY USCHOVAJTE.

VAROVANIE: NIKDY nepripustíte, aby sebavedomie a dobrá znalosť výrobku (získané opakovaným používaním) nahradili presné dodržiavanie bezpečnostných pravidiel pre náradie. **NESPRÁVNE POUŽÍVANIE** alebo nedodržiavanie bezpečnostných zásad uvedených v tomto návode môže viesť k vážnemu zraneniu.

Dôležité bezpečnostné a prevádzkové pokyny pre akumulátor

1. Pred použitím akumulátora si prečítajte všetky pokyny a výstražné označenia na (1) nabíjačke akumulátorov, (2) akumulátore a (3) produkte používajúcom akumulátor.
2. Akumulátor nerozoberajte ani neupravujte. Môže to viesť k požiaru, nadmernému teplu alebo výbuchu.
3. Ak sa doba prevádzky príliš skráti, ihneď prerušte prácu. Môže nastať riziko prehriatia, možných popálením či dokonca explózie.
4. V prípade zasiahnutia očí elektrolytom ich vypláchnite čistou vodou a okamžite vyhľadajte lekársku pomoc. Môže dôjsť k strate zraku.
5. Akumulátor neskratujte:
 - (1) Nedotýkajte sa konektorov žiadnym vodivým materiálom.
 - (2) Neskladujte akumulátor v obale s inými kovovými predmetmi, napríklad klincami, mincami a pod.
 - (3) Akumulátor nevystavujte vode ani dažďu. Skrat akumulátora môže spôsobiť veľký tok prúdu, prehriatie, možné popáleniny či dokonca poruchu.
6. Nástroj ani akumulátor neskladujte a nepoužívajte na miestach s teplotou presahujúcou 50 °C (122 °F).
7. Akumulátor nespájajte, ani keď je vážne poškodený alebo úplne opotrebovaný. Akumulátor môže v ohni explodovať.
8. Akumulátor neprepichujte, neprerezávajte, nedrvtvte, nehádzte ani ho nenarúšajte údermi o tvrdé predmety. Môže to viesť k požiaru, nadmernému teplu alebo výbuchu.
9. Nepoužívajte poškodený akumulátor.
10. Litium-iónové akumulátory, ktoré sú súčasťou u náradia, podliehajú požiadavkám legislatívy o nebezpečnom tovare.

V prípade obchodnej prepravy, napr. dodanie tretími stranami či špeditériami, sa musia dodržiavať špeciálne požiadavky na zabalenie a označenie. Pred prípravou položky na odoslanie sa vyžaduje konzultácia s odborníkom na nebezpečný materiál. Taktiež treba dodržiavať potenciálne podrobnejšie predpisy príslušnej krajiny. Prelepte alebo zakryte otvorené kontakty a zabalte akumulátor tak, aby sa v balíku nemohol voľne pohybovať.
11. Akumulátor pri likvidácii odstráňte z nástroja a zlikvidujte ho na bezpečnom mieste. Akumulátor zlikvidujte v súlade s miestnymi nariadeniami.
12. Akumulátory používajte iba s výrobkami uvedenými spoločnosťou Makita. Inštalácia akumulátorov do nevyhovujúcich výrobkov môže spôsobiť požiar, nadmerné teplo, výbuch alebo únik elektrolytov.
13. Ak sa nástroj dlhší čas nepoužíva, odstráňte z neho akumulátor.
14. Akumulátor sa môže počas používania a po použití zohriať, čo môže spôsobiť popáleniny alebo popáleniny aj pri relatívne nízkej teplote. Pri manipulácii s horúcimi akumulátormi dávajte pozor.
15. Nedotýkajte sa svorky nástroja ihneď po použití, keďže sa mohla zohriať dostatočne na to, aby spôsobila popáleniny.
16. Zabráňte zachytávaniu triesok, prachu alebo zeminy na svorkách, otvoroch a drážkach akumulátora. Môže to spôsobiť zohriatie, požiar, výbuch a poruchu nástroja alebo akumulátora, v dôsledku čoho môže dôjsť k popáleninám alebo zraneniu osôb.
17. Pokiaľ nástroj nepodporuje používanie v blízkosti vysokonapäťových elektrických vedení, nepoužívajte akumulátor blízko vysokonapäťových elektrických vedení. Môže to viesť k nesprávnemu fungovaniu alebo poškodeniu nástroja alebo akumulátora.
18. Akumulátor držte mimo dosahu detí.

TIETO POKYNY USCHOVAJTE.

⚠ POZOR: Používajte len originálne akumulátory od spoločnosti Makita. Používanie batérií, ktoré nie sú od spoločnosti Makita, alebo upravených batérií môže spôsobiť výbuch batérie a následný požiar, zranenie osôb alebo poškodeniu majetku. Následkom bude aj zrušenie záruky od spoločnosti Makita na nástroj a nabíjačku od spoločnosti Makita.

Rady na udržanie maximálnej životnosti akumulátora

1. Akumulátor nabíjajte ešte predtým, ako sa úplne vybije. Vždy prerušte prácu s nástrojom a nabíjajte akumulátor, keď spozorujete nižší výkon nástroja.
2. Nikdy nenabíjajte plne nabitý akumulátor. Prebijanie skracuje životnosť akumulátora.
3. Akumulátor nabíjajte pri izbovej teplote 10 °C – 40 °C (50 °F – 104 °F). Pred nabíjaním nechajte horúci akumulátor vychladnúť.
4. Keď akumulátor nepoužívate, vyberte ho z nástroja alebo nabíjačky.
5. Litium-iónový akumulátor nabíjajte, ak ste ho nepoužívali dlhšie ako šesť mesiacov.

POPIS SÚČASTÍ

► Obr.1

1	Hlava	2	Nastavovacie tlačidlo uhla	3	Poistná páčka	4	Vrúbkovaná matica
5	Predné držadlo	6	Zadné držadlo	7	Akumulátor	8	Spúšťací spínač
9	Tlačidlo odomknutia	10	Strihacie čepele	–	–	–	–

OPIS FUNKCIÍ

⚠️ POZOR: Pred úpravou alebo kontrolou funkčnosti nástroja vždy skontrolujte, či je nástroj vypnutý a akumulátor je vybratý.

Inštalácia alebo demontáž akumulátora

⚠️ POZOR: Pred inštaláciou alebo vybratím akumulátora nástroj vždy vypnite.

⚠️ POZOR: Pri inštalovaní a vyberaní akumulátora pevne uchopíte nástroj a akumulátor. Ak nástroj a akumulátor pevne neuchopíte, môže to mať za následok vyšmyknutie z vašich rúk s dôsledkom poškodenia nástroja a akumulátora, ako aj osobných poranení.

► **Obr.2:** 1. Červený indikátor 2. Tlačidlo 3. Akumulátor

Ak chcete vybrať akumulátor, vysuňte ho z nástroja, pričom posuňte tlačidlo na prednej strane akumulátora. Akumulátor vložíte tak, že jazýček akumulátora zarovnáte s drážkou v kryte a zasuniete ho na miesto. Zatlačte ho úplne, kým zakliknutím nezapadne na miesto. Ak vidíte červený indikátor, ako je znázornené na obrázku, nie je správne zaistený.

⚠️ POZOR: Akumulátor vždy nainštalujte úplne, až kým nie je vidieť červený indikátor. V opačnom prípade môže náhodne vypadnúť z nástroja a ublížiť vám alebo osobám v okolí.

















⚠️ POZOR: Pri inštalovaní akumulátora nepoužívajte silu. Ak sa akumulátor nedá zasunúť ľahko, nevkladáte ho správne.

Indikácia zvyšnej kapacity akumulátora

Len na akumulátory s indikátorom

► **Obr.3:** 1. Indikátory 2. Tlačidlo kontroly

Stlačením tlačidla kontroly na akumulátore zobrazíte zostávajúcu kapacitu akumulátora. Indikátory sa na niekoľko sekúnd rozsvietia.

Indikátory			Zostávajúca kapacita
 Svieti	 Nesvieti	 Bliká	
			75 % až 100 %
			50 % až 75 %
			25 % až 50 %
			0 % až 25 %
			Akumulátor nabite.
 	 		Akumulátor je možno chybný.

POZNÁMKA: V závislosti od podmienok používania a v závislosti od okolitej teploty sa môže zobrazenie mierne odlišovať od skutočnej kapacity.

POZNÁMKA: Prvý (úplne vľavo) svetelný indikátor bude blikať, keď systém ochrany akumulátora funguje.

Systém na ochranu nástroja/akumulátora

Nástroj je vybavený systémom ochrany nástroja/akumulátora. Tento systém automaticky vypne napájanie motora s cieľom predĺžiť životnosť nástroja a akumulátora. Nástroj sa počas prevádzky automaticky zastaví v prípade, ak sa nástroj alebo akumulátor dostanú do jedného z nasledujúcich stavov:

Ochrana proti preťaženiu

Keď sa nástroj alebo batéria používa spôsobom, ktorý spôsobuje odber neštandardne vysokého prúdu, nástroj sa automaticky vypne. V tejto situácii vypnite nástroj a ukončíte prácu, ktorá spôsobuje jeho preťažovanie. Potom nástroj zapnutím znova spustíte.

Ochrana pred prehrievaním

Keď sa nástroj alebo akumulátor prehreje, nástroj sa automaticky zastaví. V takomto prípade nechajte nástroj a akumulátor pred opätovným spustením vychladnúť.

Ochrana pred nadmerným vybitím

Keď je kapacita akumulátora nedostatočná, nástroj sa automaticky vypne. V takomto prípade vyberte akumulátor z nástroja a nabite ho.

Zapínanie

⚠️ VAROVANIE: Pred vložením akumulátora do nástroja sa vždy presvedčíte, či spúšťací spínač funguje správne a po uvoľnení sa vráti do pozície „OFF“.

⚠️ VAROVANIE: Z dôvodu vašej bezpečnosti je toto zariadenie vybavené tlačidlom odomknutia, ktoré zabráni neúmyselnému zapnutiu zariadenia. Nikdy nepoužívajte zariadenie, ak sa spustí pri stlačení len spúšťacieho spínača bez stlačenia tlačidla odomknutia. Požiadajte miestne servisné stredisko spoločnosti Makita o opravu.

⚠️ VAROVANIE: Nikdy nedeaktivujte funkciu zamknutia ani neprelepujte tlačidlo odomknutia páskou.

UPOZORNENIE: Spúšťací spínač nestláčajte nasilu bez stlačenia tlačidla odomknutia. Spínač sa môže poškodiť.

► **Obr.4:** 1. Tlačidlo odomknutia 2. Spúšťací spínač

Náradie je vybavené tlačidlom odomknutia, ktoré bráni náhodnému potiahnutiu spúšťacieho spínača. Ak chcete spustiť nástroj, stlačte tlačidlo odomknutia a potiahnite spúšťací spínač. Náradie zastaví uvoľnením spúšťacieho spínača. Tlačidlo odomknutia je možné stlačiť z pravej alebo z ľavej strany.

Nastavenie uhla rezania

▲POZOR: Pred vyklápaním alebo sklápaním hlavy sa vždy uistite, že náradie je vypnuté.

▲POZOR: Pred sklopením hlavy na účely nosenia alebo po skončení používania náradia nezabudnite na čepele nasadiť kryt.

▲POZOR: Pri sklopení hlavy si dávajte pozor, aby ste si nepricvikli prsty medzi hlavu a telo náradia.

Uhol sklopenia hlavy možno nastaviť v 10 krokoch. Na zmenu uhla sklopenia hlavy postupujte podľa krokov uvedených nižšie.

1. Držte hlavu a telo náradia tak, ako je znázornené na obrázku.

► **Obr.5:** 1. Hlava 2. Nastavovacie tlačidlo uhla

2. Nastavte uhol hlavy, pričom držte stlačené nastavovacie tlačidlo uhla, potom uvoľnite nastavovacie tlačidlo uhla.

3. jemne posuňte hlavu, kým s kliknutím nezaskočí na svoje miesto.

POZNÁMKA: Pred spustením náradia sa uistite, že hlava je pevne zaistená na svojom mieste.

Nastavenie dĺžky tyče

▲POZOR: Pred nastavovaním dĺžky tyče sa vždy uistite, že náradie je vypnuté.

▲POZOR: Pred nastavovaním dĺžky tyče nezabudnite najprv na čepele nasadiť kryt čepeľí.

▲POZOR: Pri nastavovaní dĺžky tyče dávajte pozor, aby ste si neprivrelí prsty.

▲POZOR: Uistite sa, že poistná páčka je bezpečne zaistená.

▲POZOR: Pri nastavovaní dĺžky tyče položte nástroj nabok. Ak umiestnite nástroj do zvislej polohy, hlava by mohla spadnúť a spôsobiť zranenie.

Uvoľnite poistnú páčku, potom nastavte dĺžku tyče a poistnú páčku znova zaistíte.

► **Obr.6:** 1. Poistná páčka

Nastavenie polohy predného držadla

▲POZOR: Pred nastavovaním polohy predného držadla sa vždy uistite, že náradie je vypnuté.

▲POZOR: Pri nastavovaní polohy predného držadla dávajte pozor, aby ste si neprivrelí prsty.

▲POZOR: Uistite sa, že vrúbkovaná matica je pevne dotiahnutá.

▲POZOR: Neposúvajte predné držadlo za značku so šípkou.

Na nastavenie polohy predného držadla povoľte vrúbkovanú maticu jej otočením proti smeru hodinových ručičiek, potom nastavte polohu predného držadla a napokon dotiahnite vrúbkovanú maticu v smere hodinových ručičiek.

► **Obr.7:** 1. Vrúbkovaná matica 2. Značka šípky

ZOSTAVENIE

▲POZOR: Pred vykonaním akejkoľvek práce na nástroji vždy skontrolujte, či je nástroj vypnutý a akumulátor je vybratý.

▲POZOR: Pri výmene čepeľí nožníc majte vždy nasadené rukavice, aby sa vaše ruky nedostali do priameho kontaktu s čepeľami.

Montáž a demontáž čepeľí nožníc

▲POZOR: Pred demontážou alebo montážou čepeľí nožníc nasadte kryt čepeľí.

UPOZORNENIE: Pri výmene čepeľí nožníc neuťahujte mazivo z prevodu a kľuky.

POZNÁMKA: Pred montážou alebo demontážou strihacích čepeľí vyklepte hlavu náradia tak, aby bola hlava rovnobežne s telom náradia.

1. Otočte zariadenie naopak.
2. Pomocou skrutkovača odstráňte 4 skrutky a demontujte čepele nožníc.

► **Obr.8:** 1. Skrutka

3. Demontujte kľuku z čepeľí nožníc.

► **Obr.9:** 1. Kľuka

POZNÁMKA: Kľuka môže zostať v zariadení.

4. Pripravte si kľuku a nové čepele nožníc.
- **Obr.10:** 1. Kľuka 2. Čepele nožníc
5. Odstráňte kryt čepeľí a potom ho nainštalujte na nové strihacie čepele.
6. Naneste trochu maziva do okolia kľuky. Nasadte podložku, prevod a kľuku na kolík v tomto poradí.
- **Obr.11:** 1. Kľuka 2. Prevod 3. Podložka 4. Kolík
7. Nastavte kľuku tak, aby boli 2 malé otvory na kľuke zarovnané s líniou zarovnania podľa obrázka.
- **Obr.12:** 1. Línia zarovnania 2. Malý otvor
8. Posuňte čepele nožníc tak, aby sa otvor na vodiacej doske nachádzal v strede krúžkov na čepeľiach.
- **Obr.13:** 1. Vodiaca doska
9. Vložte skrutku, ktorú ste odstránili v kroku 2, do otvoru na čepeľiach nožníc cez otvor v kryte čepeľí.
- **Obr.14:** 1. Otvor
10. Pripojte čepele nožníc k náradiu, potom dotiahnite 3 skrutky pomocou skrutkovača.
- **Obr.15:** 1. Skrutka
11. Odstráňte skrutku vloženú do otvoru na čepeľiach nožníc v kroku 9 a potom dotiahnite skrutku na upevnenie čepeľí nožníc.

UPOZORNENIE: Ak čepele nožníc nepracujú správne, čepele nie sú v správnom kontakte s kľukou. Demontujte čepele a znova ich nainštalujte.

UPOZORNENIE: Ak dôjde k opotrebovaniu iných dielov, ako sú čepele nožníc, napr. kľuka, požiadajte autorizované servisné strediská spoločnosti Makita o náhradné diely či opravu.

Montáž a demontáž zberača odrezkov

Voliteľné príslušenstvo

▲POZOR: Pri montáži alebo demontáži zberača odrezkov vždy používajte rukavice, aby sa vaše ruky nedostali do priameho kontaktu s čepeľami nožníc.

▲POZOR: Pripojte kryt čepeľí pred inštaláciou alebo demontážou zberača odrezkov.

Zberač odrezkov zachytáva odstrihnuté listy a výrazne uľahčuje následné upratovanie. Dá sa namontovať na ľubovoľnú stranu zariadenia.

1. Zarovnajete otvory na zberači odrezkov s maticami na čepeľiach nožníc.

► **Obr.16:** 1. Matica

2. Zasuňte zárezy zberača odrezkov do drážky na čepeľiach nožníc.

► **Obr.17:** 1. Zárez 2. Drážka

3. Zatláčte páčky na zberači odrezkov a potom zasuňte zárezy na druhej strane do drážky na čepeľiach nožníc.

► **Obr.18:** 1. Páčka

Demontáž zberača odrezkov vykonáte tak, že stlačíte páčky na uvoľnenie zárezov.

► **Obr.19:** 1. Páčka

UPOZORNENIE: Nikdy sa nepokúšajte zberač odrezkov demontovať vyvíjaním nadmernej sily na zárezy zaistené v drážkach na čepeľiach nožníc.

PREVÁDZKA

Prevádzka náradia

▲VAROVANIE: Náradie nepoužívajte v blízkosti žiadnych elektrických vedení. Pri kontakte s elektrickým vedením alebo pri práci s náradím v jeho blízkosti môže dôjsť k vážnym zraneniam alebo zásahu elektrickým prúdom s následkom smrti.

▲VAROVANIE: Ruky držte mimo čepeľí nožníc.

▲VAROVANIE: Počas celej doby buďte veľmi opatrní a udržiajte si nad náradím kontrolu. Zabráňte, aby sa náradie vychýlilo smerom k vám alebo smerom ku komukoľvek v okolí miesta vykonávania práce. Opomenutie dodržiavať ovládanie náradia môže viesť k vážnemu poraneniu okolostojacich a obsluhy.

▲POZOR: Podľa možnosti sa vyhňte prevádzkovaniu zariadenia pri mimoriadne horúcom počasí. Pri prevádzkovaní zariadenia dávajte pozor na svoj fyzický stav.

▲POZOR: Počas strihania dávajte pozor, aby ste náhodne neprišli do styku s kovovým oplietaním alebo inými tvrdými predmetmi. Čepele nožníc sa môžu zlomiť a spôsobiť zranenie.

▲POZOR: Dávajte pozor, aby čepele nožníc neprišli do kontaktu so zemou. Môže dôjsť k spätnému rázu zariadenia a následnému zraneniu.

▲POZOR: Snaha prekračovať dosah nožníc na živé ploty, a to obzvlášť z rebriku, je veľmi nebezpečná. Činnosť strihania nevykonávajte, keď stojíte na vratkom a nestabilnom predmete.

UPOZORNENIE: Nepokúšajte sa s týmto zariadením strihať vetvy hrubšie ako 10 mm v priemere. Pred použitím tohto zariadenia odstrihnite konáre pomocou nožníc na konáre na dĺžku o 10 cm kratšiu ako výška kosenia.

► **Obr.20:** (1) Výška kosenia (2) 10 cm

UPOZORNENIE: Nepoužívajte na odstrihovanie odumretých stromov a podobných tvrdých predmetov. V opačnom prípade môže dôjsť k poškodeniu zariadenia.

UPOZORNENIE: Pomocou čepeľí nožníc na živé ploty nestrihajte trávu ani burinu. Čepele nožníc by sa mohli zamotať do trávy alebo buriny.

Držte náradie oboma rukami za predné držadlo a zadné držadlo.

► **Obr.21:** 1. Predné držadlo 2. Zadné držadlo

Držte stlačené tlačidlo odomknutia, potiahnite spúšťací spínač a potom posuňte náradie dopredu.

► **Obr.22**

V rámci bežnej prevádzky skloňte čepele nožníc smerom k smeru strihania a pohybujte nimi pokojne a pomaly rýchlosťou jeden meter za 3 až 4 sekundy.

► **Obr.23**

Na rovnomerné ostrihanie živého plota je dobré, ak budete strihať smerom zdola nahor.

► **Obr.24**

Keď striháte na okrúhly tvar (strihanie krušpánu alebo rododendronu), strihajte od koreňa smerom hore na dosiahnutie krásneho výsledku.

► **Obr.25**

Ak je k čepeľiam nožníc pripevnený zberač odrezkov, zachytáva odstrihnuté listy a výrazne uľahčuje následné upratovanie.

► **Obr.26**

ÚDRŽBA

⚠ POZOR: Pred vykonaním kontroly alebo údržby vždy skontrolujte, či je nástroj vypnutý a akumulátor je vybratý.

⚠ POZOR: Keď vykonávate kontrolu alebo údržbu náradia, náradie vždy položte. Pri zostavovaní alebo nastavovaní náradia v zvislej polohe môže dôjsť k vážnemu zraneniu.

Ak chcete udržať BEZPEČNOSŤ a BEZPORUCHOVOSŤ výrobku, prenechajte opravy, údržbu a nastavenie na autorizované alebo továrenské servisné centrá Makita, ktoré používajú len náhradné diely značky Makita.

Čistenie zariadenia

Zariadenie očistite utretím prachu čistou handričkou alebo handričkou navlhčenou mydlovou vodou a následne vyčmykávanou.

UPOZORNENIE: Nepoužívajte benzín, riedidlo, alkohol ani podobné látky. Mohlo by to spôsobiť zmenu farby, deformácie alebo praskliny.

Údržba čepelí nožníc

Pred použitím zariadenia alebo po každej hodine prevádzky naneste na čepele nožníc olej s nízkou viskozitou (strojový olej alebo mazací olej v spreji).

► Obr.27

Po používaní odstráňte prach z oboch strán čepelí nožníc pomocou drôtenej kefy, utrite ich handričkou a naneste na čepele nožníc olej s nízkou viskozitou (strojový olej alebo mazací olej v spreji).

► Obr.28

UPOZORNENIE: Čepele nožníc neumývajte vo vode. V opačnom prípade môže dôjsť k hrdzaveniu alebo k poškodeniu zariadenia.

UPOZORNENIE: Nečistoty a korózia spôsobujú nadmerné trenie čepelí a skracujú prevádzkovú čas nabitého akumulátora.

Uskladnenie

Nasadte kryt čepelí na čepele nožníc tak, aby čepele neboli odhalené. Zariadenie bezpečne uskladnite mimo dosahu detí. Zariadenie uskladnite na mieste, ktoré nie je vystavené vplyvu vlhkosti ani vody.

RIEŠENIE PROBLÉMOV

Pred požiadanim o vykonanie opravy najprv vykonajte vlastnú kontrolu. Ak zistíte problém, ktorý nie je vysvetlený v návode, nepokúšajte sa nástroj rozoberať. Namiesto toho požiadajte o opravu autorizované servisné strediská spoločnosti Makita, ktoré používajú len náhradné diely značky Makita.

Chybný stav	Predpokladaná príčina (porucha)	Náprava
Motor nebeží.	Nie je nainštalovaný akumulátor.	Nainštalujte akumulátor.
	Problém akumulátora (podpätie)	Dobite akumulátor. Pokiaľ dobíjanie nie je účinné, vymeňte akumulátor.
	Systém pohonu nefunguje správne.	O opravu požiadajte miestne autorizované servisné stredisko.
Motor po chvíľi používania prestane bežať alebo nebeží vôbec.	Nabitie akumulátora nie je dostatočné.	Dobite akumulátor. Pokiaľ dobíjanie nie je účinné, vymeňte akumulátor.
	Prehrievanie.	Prestaňte náradie používať a nechajte ho vychladnúť.
Náradie nedosahuje hodnotu maximálnych otáčok za minútu.	Akumulátor nie je nainštalovaný správne.	Akumulátor nainštalujte podľa popisu v tomto návode.
	Výkon akumulátora klesá.	Dobite akumulátor. Pokiaľ dobíjanie nie je účinné, vymeňte akumulátor.
	Systém pohonu nefunguje správne.	O opravu požiadajte miestne autorizované servisné stredisko.
Strihacie čepele sa nepohybujú: ⇒ okamžite náradie zastavte!	Nevhodný uhol strihacích čepelí.	Uistite sa, že hlava je správne upevnená v prevádzkovom uhle.
	Medzi strihacími čepeľami sú zachytené cudzie predmety.	Vypnite náradie, vyberte akumulátor a potom odstráňte cudzie predmety pomocou nástrojov, ako sú napríklad kliešte.
	Systém pohonu nefunguje správne.	O opravu požiadajte miestne autorizované servisné stredisko.
Nadmerné vibrácie: ⇒ okamžite náradie zastavte!	Strihacie čepele sú zlomené, ohnuté alebo opotrebované.	Vymeňte strihacie čepele.
	Systém pohonu nefunguje správne.	O opravu požiadajte miestne autorizované servisné stredisko.
Strihacie čepele a motor sa nedajú zastaviť: ⇒ Ihneď odnίmte akumulátor!	Elektrická porucha.	Odnίmte akumulátor a o opravu požiadajte miestne autorizované servisné stredisko.

VOLITEĽNÉ PRÍSLUŠENSTVO

⚠ POZOR: Pre váš nástroj Makita, opísaný v tomto návode, doporučujeme používať toto príslušenstvo a nástavce. Pri použití iného príslušenstva či nástavcov môže hroziť nebezpečenstvo zranenia osôb. Príslušenstvo a nástavce sa môžu používať len na účely pre ne stanovené.

Ak potrebujete bližšie informácie týkajúce sa tohoto príslušenstva, obráťte sa na vaše miestne servisné stredisko firmy Makita.

- Zostava čepelí nožníc
- Zberač odrezkov
- Nádoba na mazivo
- Originálna batéria a nabíjačka Makita

POZNÁMKA: Niektoré položky zo zoznamu môžu byť súčasťou balenia nástrojov vo forme štandardného príslušenstva. Rozsah týchto položiek môže byť v každej krajine odlišný.

SPECIFIKACE

Model:	DUN461W
Délka čepele	460 mm
Počet zdvihů za minutu	3 600 min ⁻¹
Úhel čepele	135° (až 60°, dolů 75°)
Celková délka	1 889 - 2 511 mm
Jmenovité napětí	18 V DC
Čistá hmotnost	3,0 – 3,3 kg

- Vzhledem k neustálému výzkumu a vývoji zde uvedené technické údaje podléhají změnám bez upozornění.
- Specifikace se mohou pro různé země lišit.
- Hmotnost se může lišit v závislosti na nástavcích a přídatných zařízeních, včetně akumulátoru. Nejlehčí a nejtěžší kombinace, dle EPTA-Procedure 01/2014, jsou uvedeny v tabulce níže.

Použitelný akumulátor a nabíječka

Akumulátor	BL1815N / BL1820B / BL1830B / BL1840B / BL1850B / BL1860B
Nabíječka	DC18RC / DC18RD / DC18RE / DC18SD / DC18SE / DC18SF / DC18SH / DC18WC

- V závislosti na regionu vašeho bydliště nemusí být některé akumulátory a nabíječky k dispozici.

VAROVÁNÍ: Používejte pouze výše uvedené akumulátory a nabíječky. Použití jiných akumulátorů a nabíječek může způsobit zranění a/nebo požár.





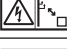

Doporučený drátový zdroj napájení

Přenosný akumulátor	PDC01
---------------------	-------

- V závislosti na regionu vašeho bydliště nemusí být drátové zdroje napájení uvedené výše k dispozici.
- Než začnete používat drátový zdroj napájení, přečtěte si pokyny a varovné symboly na nich.

Symboly

Níže jsou uvedeny symboly, se kterými se můžete při použití nářadí setkat. Je důležité, abyste dříve, než s ním začnete pracovat, pochopili jejich význam.

	Přečtěte si návod k obsluze.
	Nevystavujte vlhkosti.
	Používejte příbhu, brýle a ochranu sluchu.
	NEBEZPEČÍ – Udržujte své ruce v bezpečné vzdálenosti od nože.
	Dávejte pozor na elektrická vedení, mohlo by dojít k úrazu elektrickým proudem.
	Dodržujte alespoň 15m vzdálenost.



Pouze pro země EU

Z důvodu přítomnosti nebezpečných součástí v zařízeních mohou odpadní elektrické a elektronické zařízení, akumulátory a baterie negativně ovlivnit životní prostředí a lidské zdraví.

Elektrické a elektronické spotřebiče ani akumulátory nevyhazujte do domovního odpadu!

V souladu s evropskou směrnicí o odpadních elektrických a elektronických zařízeních, akumulátorech a bateriích a odpadních akumulátorech a bateriích, stejně jako jejím přízpůsobením ve vnitrostátním právu, by odpadní elektrická zařízení, baterie a akumulátory měly být uchovávány odděleně a měly by být odevzány na vyhrazeném sběrném místě komunálního odpadu, které je provozováno v souladu s předpisy na ochranu životního prostředí. Toto je označeno symbolem přeškrtnuté popelnice na kolečkách, který je umístěn na zařízení.



Zaručená hladina akustického výkonu podle směrnice EU o hluku ve venkovním prostoru.



Hladina akustického výkonu podle nařízení australské vlády NSW o kontrole hluku

Účel použití

Nářadí je určeno k zastřihování živých plotů.

Hlučnost

Typická vážená hladina hluku (A) určená podle normy EN62841-4-2:

Hladina akustického tlaku (L_{pA}): 74 dB(A)

Nejistota (K): 3 dB(A)

Hladina hluku při práci může překročit hodnotu 80 dB (A).

POZNÁMKA: Celková(é) hodnota(y) emisí hluku byla(y) změněna(y) v souladu se standardní zkušební metodou a dá se použít k porovnání nářadí mezi sebou.

POZNÁMKA: Hodnotu(y) deklarovaných emisí hluku lze také použít k předběžnému posouzení míry expozice vibracím.

Vibrace

Příslušná norma : EN62841-4-2

Levá ruka (přední rukojeť)		Pravá ruka (zadní rukojeť)	
a_h (m/s^2)	Nejistota K (m/s^2)	a_h (m/s^2)	Nejistota K (m/s^2)
2,5 m/s^2 nebo méně	1,5	2,5 m/s^2 nebo méně	1,5

POZNÁMKA: Celková(é) hodnota(y) deklarovaných vibrací byla(y) změněna(y) v souladu se standardní zkušební metodou a dá se použít k porovnání nářadí mezi sebou.

POZNÁMKA: Celkovou(é) hodnotu(y) deklarovaných vibrací lze také použít k předběžnému posouzení míry expozice vibracím.

VAROVÁNÍ: Emise vibrací se při používání elektrického nářadí ve skutečnosti mohou od deklarované(y) hodnot(y) lišit v závislosti na způsobech použití nářadí.

VAROVÁNÍ: Nezapomeňte stanovit bezpečnostní opatření na ochranu obsluhy podle odhadu expozice ve skutečných podmínkách použití. (Vezměte přitom v úvahu všechny části provozního cyklu, tj. kromě doby zátěže například doby, kdy je nářadí vypnuté a kdy běží naprázdno.)

Prohlášení ES o shodě

Pouze pro evropské země

Prohlášení ES o shodě je obsaženo v Příloze A tohoto návodu k obsluze.

BEZPEČNOSTNÍ VÝSTRAHY

Obecná bezpečnostní upozornění k elektrickému nářadí

VAROVÁNÍ: Přečtěte si všechny bezpečnostní výstrahy i pokyny a prohlédněte si ilustrace a specifikace dodané k tomuto elektrickému nářadí. Nedodržení všech níže uvedených pokynů může vést k úrazu elektrickým proudem, požáru či vážnému zranění.

VAROVÁNÍ: Používejte ochranu sluchu.

VAROVÁNÍ: Emise hluku se při používání elektrického nářadí ve skutečnosti mohou od deklarované(y) hodnot(y) lišit v závislosti na způsobech použití nářadí.

VAROVÁNÍ: Nezapomeňte stanovit bezpečnostní opatření na ochranu obsluhy podle odhadu expozice ve skutečných podmínkách použití. (Vezměte přitom v úvahu všechny části provozního cyklu, tj. kromě doby zátěže například doby, kdy je nářadí vypnuté a kdy běží naprázdno.)

Všechna upozornění a pokyny si uschovejte pro budoucí potřebu.

Pojem „elektrické nářadí“ v upozorněních označuje elektrické nářadí, které se zapojuje do elektrické sítě, nebo elektrické nářadí využívající akumulátory.

Bezpečnostní varování k akumulátorovému plotostříhu na tyči

- Nepřibližujte se jakoukoliv částí těla k nožům. Neodstraňujte stříhaný materiál a nedržte materiál, když se nože pohybují.** Nože se pohybují i po vypnutí hlavního spínače. Chvilé nepozornosti při používání plotostříhu může mít za následek vážné zranění.
- Plotostříh přenášejte za rukojeť, nože musí být přitom zastaveny a nesmí dojít k použití vypínače.** Správný způsob přenášení plotostříhu snižuje riziko náhodného spuštění a následného zranění osob noži nástroje.
- Při přepravě a skladování plotostříhu vždy na nože nasadte kryt.** Správný způsob manipulace s plotostříhem snižuje riziko zranění osob noži nástroje.

4. Při odstraňování zaseknutého materiálu nebo opravách zařízení dávejte pozor, aby všechny vypínače byly vypnuté a byl vyjmut či odpojen akumulátor. Neočekávané spuštění plotostříhu během uvolňování zaseknutého materiálu nebo oprav může mít za následek vážné zranění.
5. **Plotostřih držte pouze za izolované části držadel, neboť nože mohou narazit na skryté elektrické vedení.** Nože mohou při kontaktu s vodičem pod napětím přenést proud do nechráněných částí nářadí a obsluha může utrpět úraz elektrickým proudem.
6. **Udržujte všechny napájecí a jiné kabely daleko od žecí oblasti.** Napájecí a jiné kabely mohou být skryté v plotu nebo křovině a může dojít k jejich náhodnému přefixnutí.
7. **Plotostřih nepoužívejte za nepříznivého počasí, zvláště existuje-li nebezpečí bouřek.** Snižuje se tím riziko zásahu obsluhy bleskem.
8. **Pro snížení rizika usmrcení elektrickým proudem nikdy nepoužívejte plotostřih na tyči poblíž elektrického vedení.** Kontakt s elektrickým vedením, ale i jen přiblížení k němu mohou vést k vážnému zranění elektrickým proudem, dokonce i smrtelnému.
9. **Během obsluhování plotostříhu na tyči vždy používejte obě ruce.** Plotostřih na tyči vždy držte oběma rukama, abyste nad ním neztratili kontrolu.
10. **Během používání plotostříhu na tyči ve výšce nad hlavou vždy používejte ochrannou helmu.** Padající materiál může způsobit vážné zranění.
9. **Před zahájením práce zkontrolujte, zda je zastříhovač v dobrém stavu umožňujícím bezpečné používání.** Zkontrolujte, zda jsou správně nainstalovány kryty. Zastříhovač nesmí být používán, pokud není kompletní.
10. **Nepracujte v nebezpečném prostředí.** Nářadí nepoužívejte na vlhkých či mokrych místech a nevystavujte je dešti. Vnikne-li do nářadí voda, zvýší se nebezpečí úrazu elektrickým proudem.

Osobní ochranné prostředky

1. K základnímu vybavení zastříhovače patří silné kožené rukavice, které je nutné při práci vždy používat. Používejte také pevnou obuv s protiskluzovou podrážkou.
2. K zamezení ztráty sluchu používejte ochranu sluchu (ochranná sluchátka).
3. Noste ochranné brýle, bezpečnostní helmu a ochranné rukavice, které vám poskytnou ochranu před odlétávajícím materiálem a padajícími předměty.
4. Pokud se chystáte manipulovat s noži nebo seřizovat jejich úhel, používejte ochranné rukavice. Nechráněné ruce si můžete o nože vážně poranit.

Obsluha

1. **Během obsluhování nářadí vždy používejte obě ruce.** Používání jedné ruky může způsobit ztrátu kontroly a následně vážné zranění.
2. **Během používání nářadí vždy dbejte na to, aby bylapoloha těla bezpečná.** Natahování těla s nástrojem, zejména ze žebřiky, je velice nebezpečné. Při práci nestůjte na kýmacejícím se nebo jinak nestabilním povrchu.
3. **Během používání nářadí není dovoleno zároveň používat několik páskových či ramenních popruhů.**
4. **S nářadím pracujte ve vzdálenosti alespoň 15 m od zvířat nebo přihlízejících osob.** Zpozorujete-li, že se k vám někdo blíží, nářadí co nejdříve vypněte.
5. **Jestliže řezací nářadí zasáhne nějaký předmět nebo začne vydávat neobvyklé zvuky či vibrace, okamžitě nářadí vypněte, vyjměte akumulátor a počkejte, než se nářadí zastaví. Poté postupujte následovně:**
 - zkontrolujte, zda nedošlo k poškození
 - zkontrolujte a dotáhněte všechny uvolněné díly
 - veškeré poškozené díly nechte opravit nebo vyměnit za originální náhradní díly.
6. **Nářadí používejte pouze k určeným účelům.** Nepoužívejte ho k žádnému jinému účelu.
7. **Před prováděním následujících činností je nutné nářadí vypnout a poté vyjmout akumulátor:**
 - čištění nebo odstraňování zaseknutého materiálu,
 - kontrola, provádění údržby nebo práce na nářadí,
 - seřizování funkční pozice stříhacích nožů,
 - ponechání nástroje bez dozoru.

Další bezpečnostní pokyny

Příprava

1. **TENTO PLOTOSTŘIH MŮŽE ZPŮSOBIT VÁŽNÉ ZRANĚNÍ.** Pečlivě si přečtěte pokyny týkající se správné manipulace, přípravy, údržby, spouštění a zastavení nářadí. Seznamte se řádně se všemi ovládacími prvky a správným způsobem použití nářadí.
2. **Před prací s nářadím zkontrolujte, zda živé ploty a křoviny neskrývají cizí předměty, například drátěné ploty nebo elektrické vedení.**
3. **Zastříhovač nesmí používat děti a osoby mladší 18 let.** Mladiství starší 16 let mohou být tohoto omezení zproštěni, pokud pod dohledem odborníka absolvují školení.
4. **V případě nouzové situace nářadí okamžitě vypněte a vyjměte z něj akumulátor.**
5. **NEBEZPEČÍ - Nepřibližujte ruce k noži.** Kontakt s nožem způsobí vážné zranění.
6. **Uživatelé, kteří používají plotostřih poprvé, by měli požádat zkušené uživatele o radu, jak nástroj správně používat.**
7. **Před zahájením práce zkontrolujte, zda se v pracovní oblasti nenacházejí drátěné ploty, kameny či jiné pevné objekty.** Při kontaktu s těmito předměty může dojít k poškození nožů.
8. **Zastříhovač obsluhujte pouze tehdy, jste-li v dobrém fyzickém stavu.** Únava vede ke snížení pozornosti. Opatrní buďte zejména na konci pracovního dne. Veškerou práci provádějte klidně a opatrně. Uživatel je zodpovědný za všechny škody způsobené třetím stranám.

8. Před spuštěním nářadí se ujistěte, že je ve správné, určené pracovní pozici.
9. Nepoužívejte nářadí, jestliže má poškozené nebo nadměrně opotřebené stříhací nože.
10. Vždy udržujte povědomí o svém okolí a dávejte pozor na možná nebezpečí, kterých si nemusíte snadno všimnout kvůli hluku, který nářadí vydává.
11. Při používání dávejte pozor, abyste omylem nezasáhli kovový plot nebo jiné tvrdé objekty. Nůž se může zlomit a způsobit závažné zranění.
12. Zamezte nechtěnému spuštění. Nepřenášejte nářadí se zapojeným akumulátorem a prstem na spoušti. Během vkládání akumulátoru do nářadí se ujistěte, že je vypnuté.
13. Při zvedání či nošení nikdy nedržte plotostřih za odkryté části sekacích nožů či ostří.
14. Nepoužívejte při práci s nářadím nadměrnou sílu. Nesnažte se zařízení zrychlovat. Zařízení svou práci vykoná lépe a s nižší pravděpodobností nebezpečí zranění takovou rychlostí, na jakou bylo zkonstruováno.
15. Nepoužívejte plotostřih v dešti, ani v mokřém nebo velice vlhkém prostředí. Elektrický motor není voděodolný.
16. Při práci držte nástroj pevně.
17. Nástroj zbytečně nespouštějte naprázdno.
18. Před kontrolou stříhacích nožů, opravováním závad či odstraňováním zachycených předmětů na stříhacích nožích nářadí vždy vypněte a vyjměte akumulátor.
19. Nikdy nemířte stříhacími noži na sebe nebo jiné osoby.
20. Jestliže se kotouč přestane za provozu pohybovat v důsledku uvíznutí cizích předmětů mezi noži, vypněte nářadí a vyjměte akumulátor; poté odstraňte cizí předměty pomocí vhodného nářadí (například kleští). Odstraňování cizorodých předmětů může mít za následek úrazu, protože nože se mohou pohnout v reakci na odstraňování cizího předmětu.
2. Před skladováním nechte plotostřih vždy vychladnout.
3. Není-li nářadí používáno, nasadte na něj kryt nožů a uložte ho pod střechu na suché a vyvěšené či uzamykatelné místo – mimo dosah dětí.
4. O nářadí dobře pečujte. Ostří nožů musí být ostré a čisté, aby bylo dosaženo nejlepší funkce nářadí a zároveň sníženo riziko zranění. Dodržujte pokyny pro mazání a výměnu příslušenství. Rukojeti udržujte suché, čisté a chraňte je před olejem a mazacím tukem.
5. Zkontrolujte, zda nejsou některé díly poškozeny. Před dalším používáním nářadí je nutné pečlivě zkontrolovat jakékoli poškozené díly a zjistit, zda bude nářadí i nadále správně pracovat a plnit příslušnou funkci. Zkontrolujte seřízení pohyblivých částí, spojení pohyblivých částí, zda nejsou některé díly rozbité či uvolněné a zda nenastaly nějaké potíže ovlivňující funkci. Poškozený kryt či jiný díl musí být řádně opraven nebo vyměněn autorizovaným servisem.
6. Používat lze pouze originální náhradní díly.
7. Při přenášení nářadí na jiné místo (i při práci) vždy vyjměte akumulátor a na stříhací nože nasadte kryt. Nikdy nářadí nepřenášejte ani nepřeppravujte, když jsou nože v provozu. Nožů se nikdy nedotýkejte rukama.
8. Po použití a před dlouhodobějším skladováním nářadí očistěte – zejména stříhací nože. Lehce naolejujte stříhací nože a nasadte kryt.
9. Akumulátor (akumulátory) nelikvidujte vzhováním do ohně. Články mohou vybuchnout. Při likvidaci postupujte podle místních předpisů, jež mohou zahrnovat zvláštní pokyny.
10. Akumulátory neotevírejte a nepoškozujte. Vypuštěný elektrolyt je žíravý a může způsobit poranění očí nebo pokožky. Při spolknutí může být jedovatý.
11. Nenabíjejte baterii v dešti nebo na mokřích místech.

Elektrická bezpečnost a bezpečnost akumulátorů

1. **Nepracujte v nebezpečném prostředí.** Nářadí nepoužívejte na vlhkých či mokřích místech a nevystavujte je dešti. Vnikne-li do nářadí voda, zvýší se nebezpečí úrazu elektrickým proudem.
2. **Akumulátor (akumulátory) nelikvidujte vzhováním do ohně.** Články mohou vybuchnout. Při likvidaci postupujte podle místních předpisů, jež mohou zahrnovat zvláštní pokyny.
3. **Akumulátory neotevírejte a nepoškozujte.** Vypuštěný elektrolyt je žíravý a může způsobit poranění očí nebo pokožky. Při spolknutí může být jedovatý.
4. **Nenabíjejte baterii v dešti nebo na mokřích místech.**
5. **Nenabíjejte akumulátor venku.**
6. **S nabíječkou, včetně zástrčky nabíječky a svorek, nemanipulujte mokřými rukama.**

Údržba a skladování

1. **Když je nářadí zastaveno kvůli opravě, kontrole nebo skladování, vypněte ho a vyjměte akumulátor.** Poté se ujistěte, že se všechny pohyblivé části zastavily. Před kontrolou, seřízením atd. ponechte nářadí vychladnout.

TYTO POKYNY USCHOVEJTE.

VAROVÁNÍ: NEDOVOLTE, aby pohodlnost nebo pocit znalosti výrobku (získany na základě předchozího použití) vedl k zanedbání dodržování bezpečnostních pravidel platných pro tento výrobek. **NESPRÁVNÉ POUŽÍVÁNÍ** či nedodržení bezpečnostních pravidel uvedených v tomto návodu k obsluze může způsobit vážné zranění.

Důležitá bezpečnostní upozornění pro akumulátor

1. **Před použitím akumulátoru si přečtete všechny pokyny a varovné symboly na (1) nabíječce, (2) akumulátoru a (3) výrobku využívajícím akumulátor.**
2. **Nerozebírejte akumulátor ani do něj nijak nezasahujte.** Může dojít k požáru, nadměrnému zahřátí nebo výbuchu.
3. **Pokud se příliš zkrátí provozní doba akumulátoru, přerušte okamžitě práci.** V opačném případě existuje riziko přehřívání, popálení nebo dokonce výbuchu.

4. Budou-li vaše oči zasaženy elektrolytem, vypláchněte je čistou vodou a okamžitě vyhledejte lékařskou pomoc. Může dojít ke ztrátě zraku.
5. Akumulátor nezkratujte:
 - (1) Nedotýkejte se svorek žádným vodivým materiálem.
 - (2) Neskladujte akumulátor v nádobě s jinými kovovými předměty, jako jsou hřebíky, mince, apod.
 - (3) Nevystavuje akumulátor vodě a dešti. Zkrat akumulátoru může způsobit velký průtok proudu, přehřátí, možné popálení a dokonce i poruchu.
6. Neskladujte a nepoužívejte nářadí a akumulátor na místech, kde může teplota překročit 50 °C (122 °F).
7. Nespalujte akumulátor, ani když je vážně poškozen nebo úplně opotřeben. Akumulátor může v ohni vybuchnout.
8. Akumulátor nesmí být proražen hřebíkem, řezán, drcen, házen či upuštěn na zem, ani nesmí dojít k nárazu tvrdého předmětu do něj. Taková situace může způsobit požár, nadměrné zahřátí či výbuch.
9. Nepoužívejte poškozené akumulátory.
10. Obsažené lithium-iontové akumulátory podléhají právním požadavkům na nebezpečné zboží.
V případě komerční přepravy například externími dopravci je třeba dodržet zvláštní požadavky na balení a značení.
Pro přepravu zboží k přepravě je nutná konzultace s odborníkem na nebezpečný materiál. Dodržujte také případné podrobnější národní předpisy.
Odkryté kontakty přelepte izolační páskou či jinak zakryjte a akumulátory zabalte tak, aby se v balení nemohly pohybovat.
11. Při likvidaci akumulátoru jej vyjměte z nářadí a zlikvidujte jej na bezpečném místě. Při likvidaci akumulátoru postupujte podle místních předpisů.
12. Akumulátor používejte pouze s výrobky specifikovanými společností Makita. Instalace akumulátoru do nevhodujících výrobků může způsobit požár, nadměrné zahřívání, explozi nebo únik elektrolytu.
13. Pokud nářadí delší dobu nepoužíváte, je nutné z něj akumulátor vyjmout.
14. Během a po použití se může akumulátor zahřát, což může způsobit popáleniny nebo podráždění. Při manipulaci s horkými akumulátory dávejte pozor.
15. Nedotýkejte se koncovky na nářadí ihned po použití, protože ta může být horká a způsobit popáleniny.
16. Do koncovek, otvorů a zdířek na akumulátoru se nesmí dostat piliny, prach nebo jiné nečistoty. To může způsobit zahřátí, vznícení, prasknutí a poruchu nářadí nebo akumulátoru, což může vést k popáleninám nebo zranění osob.
17. Jestliže nářadí není zkonstruováno tak, že jej lze používat v blízkosti vysokého elektrického napětí, nepoužívejte akumulátor poblíž vedení s vysokým elektrickým napětím. Mohlo by tím dojít k poruše či selhání nářadí či akumulátoru.
18. Akumulátor uchovávejte mimo dosah dětí.

TYTO POKYNY USCHOVEJTE.

▲ UPOZORNĚNÍ: Používejte pouze originální akumulátory Makita. Používání neoriginálních nebo upravených akumulátorů může způsobit explozi akumulátoru a následný požár, zranění a jiné poškození. Zaniká tím také záruka společnosti Makita na nářadí a nabíječku Makita.

Tipy k zajištění maximální životnosti akumulátoru

1. Akumulátor nabíjte dříve, než dojde k jeho úplnému vybití. Pokud si povšimnete sníženého výkonu nářadí, vždy jej zastavte a dobijte akumulátor.
2. Nikdy nenabíjejte úplně nabitý akumulátor. Přebíjení zkracuje životnost akumulátoru.
3. Akumulátor dobíjejte při pokojové teplotě od 10 °C do 40 °C (50 °F až 104 °F). Před nabíjením nechejte horký akumulátor zchladnout.
4. Když není akumulátor používán, vyjměte ho z nářadí či nabíječky.
5. Pokud se akumulátor delší dobu nepoužívá (déle než šest měsíců), je nutno jej dobít.

POPIS DÍLŮ

► Obr.1

1	Hlavice	2	Tlačítko nastavení úhlu	3	Zajišťovací páčka	4	Matice pro utahování prsty
5	Přední rukojeť	6	Zadní rukojeť	7	Akumulátor	8	Spoušť
9	Odjišťovací tlačítko	10	Stíhací nože	-	-	-	-

POPIS FUNKCÍ

⚠ UPOZORNĚNÍ: Před nastavováním nářadí nebo kontrolou jeho funkce se vždy přesvědčte, zda je vypnuté a je vyjmutý akumulátor.

Nasazení a sejmutí akumulátoru

⚠ UPOZORNĚNÍ: Před nasazením či sejmutím akumulátoru nářadí vždy vypněte.

⚠ UPOZORNĚNÍ: Při nasazování či snímání akumulátoru pevně držte nářadí i akumulátor. V opačném případě vám může nářadí nebo akumulátor vyklouznout z rukou a mohlo by dojít k jejich poškození či ke zranění.

- Obr.2: 1. Červený indikátor 2. Tlačítko
3. Akumulátor

Chcete-li akumulátor sejmut, vysuňte jej se současným přesunutím tlačítka na přední straně akumulátoru.

Při nasazování akumulátoru vyrovnajte jazyček na bloku akumulátoru s drážkou v krytu a zasuňte akumulátor na místo. Akumulátor zasuňte na doraz, až zacvakne na své místo. Neří-li zcela zajištěn, uvidíte červený indikátor dle obrázku.

⚠ UPOZORNĚNÍ: Akumulátor zasunujte vždy zcela tak, aby nebyl červený indikátor vidět. Jinak by mohl akumulátor ze zařízení vypadnout a způsobit zranění obsluze či přihlížejícím osobám.

















⚠ UPOZORNĚNÍ: Akumulátor nenasazujte násilím. Nelze-li akumulátor zasunout snadno, nevkládáte jej správně.

Indikace zbývající kapacity akumulátoru

Pouze pro akumulátory s diodovým ukazatelem

- Obr.3: 1. Kontrolky 2. Tlačítko kontroly

Stisknutím tlačítka kontroly na akumulátoru zjistíte zbývající kapacitu akumulátoru. Kontrolky indikátoru se na několik sekund rozsvítí.

Kontrolky			Zbývající kapacita
 Svítí	 Nesvítí	 Bliká	
			75 % až 100 %
			50 % až 75 %
			25 % až 50 %
			0 % až 25 %
			Nabíjete akumulátor.
  ↑ ↓  			Došlo pravděpodobně k poruše akumulátoru.

POZNÁMKA: Kapacita udávaná indikátorem se může mírně lišit od skutečné kapacity v závislosti na podmínkách používání a teplotě prostředí.

POZNÁMKA: První kontrolka (zcela vlevo) bude blikat, když je systém ochrany akumulátoru v provozu.

Systém ochrany nářadí a akumulátoru

Nářadí je vybaveno systémem ochrany nářadí a akumulátoru. Tento systém automaticky přeruší napájení motoru, aby se prodloužila životnost nářadí a akumulátoru. Budou-li nářadí nebo akumulátor vystaveny některé z níže uvedených podmínek, nářadí se během provozu automaticky vypne:

Ochrana proti přetížení

Pokud se s nářadím či akumulátorem pracuje způsobem vyvolávajícím mimořádně vysoký odběr proudu, nářadí se automaticky vypne. V takové situaci nářadí vypněte a ukončete činnost, při níž došlo k přetížení nářadí. Potom nářadí opět zapněte.

Ochrana proti přehřátí

Když se nářadí či akumulátor přehřeje, automaticky se vypne. V takovém případě nechte nářadí a akumulátor před opětovným zapnutím vychladnout.

Ochrana proti přílišnému vybití

V případě nedostačující kapacity akumulátoru se nářadí automaticky vypne. V takovém případě vyjměte akumulátor z nářadí a nabíjete jej.

Používání spouště

⚠ VAROVÁNÍ: Před vložením akumulátoru do nářadí vždy zkontrolujte správnou funkci spouště, a zda se po uvolnění vrací do vypnuté polohy.

⚠ VAROVÁNÍ: K zajištění bezpečnosti je nářadí vybaveno odjišťovacím tlačítkem zamezujícím neúmyslnému spuštění. Nikdy nepoužívejte nářadí, které lze spustit stisknutím spouště bez použití odjišťovacího tlačítka. Požádejte o opravu v místním servisním středisku firmy Makita.

⚠ VAROVÁNÍ: Je zakázáno deaktivovat funkci zámku nebo zalepit odjišťovací tlačítko páskou.

POZOR: Nemačkejte spoušť silou bez stisknutí odjišťovacího tlačítka. Spínač se může porouchat.

- Obr.4: 1. Odjišťovací tlačítko 2. Spoušť

K zamezení náhodnému stisknutí spouště je nářadí vybaveno odjišťovacím tlačítkem. Chcete-li nářadí spustit, stiskněte odjišťovací tlačítko a potom spoušť. Chcete-li nářadí vypnout, uvolněte spoušť. Odjišťovací tlačítko lze stisknout z pravé i levé strany.

Nastavení úhlu řezání

⚠ UPOZORNĚNÍ: Před skládáním či rozkládáním hlavice se vždy ujistěte, že je nářadí vypnuté.

⚠ UPOZORNĚNÍ: Před skládáním hlavice za účelem přenášení nářadí nebo po jeho používání nikdy nezapomeňte nasadit na nože kryt.

⚠ UPOZORNĚNÍ: Při skládání hlavice dávejte pozor, abyste si neskřípli prsty mezi hlavicí a tělem nářadí.

Úhel hlavice lze nastavit do 10 poloh. Chcete-li změnit úhel hlavice, postupujte dle kroků níže.

1. Podržte hlavicí a tělo nářadí dle obrázku.
▶ **Obr.5:** 1. Hlavice 2. Tlačítko nastavení úhlu
2. Stiskněte a přidržeťte tlačítko nastavení úhlu a nastavte úhel hlavice, poté tlačítko nastavení úhlu uvolněte.
3. Lehce hlavicí pohněte, dokud se cvaknutím nezapadne.

POZNÁMKA: Před použitím nářadí se ujistěte, že je hlavice bezpečně zajištěna.

Nastavení délky trubky

⚠ UPOZORNĚNÍ: Před nastavením délky trubky se vždy ujistěte, že je nářadí vypnuté.

⚠ UPOZORNĚNÍ: Před nastavením délky trubky se ujistěte, že je nasazen kryt nožů.

⚠ UPOZORNĚNÍ: Při nastavení délky trubky dejte pozor, abyste si nepřiskřípli prsty.

⚠ UPOZORNĚNÍ: Ujistěte se, zda je zajišťovací páčka pevně zajištěná.

⚠ UPOZORNĚNÍ: Při nastavení délky trubky položte nářadí na bok. Jestliže byste nářadí postavili kolmo, hlava by mohla spadnout a způsobit zranění.

Uvolněte zajišťovací páčku, poté nastavte délku trubky a nakonec zajištěte zajišťovací páčku.

- ▶ **Obr.6:** 1. Zajišťovací páčka

Nastavení polohy přední rukojeti

⚠ UPOZORNĚNÍ: Před nastavením polohy přední rukojeti se vždy ujistěte, že je nářadí vypnuté.

⚠ UPOZORNĚNÍ: Při nastavení polohy přední rukojeti dejte pozor, abyste si nepřiskřípli prsty.

⚠ UPOZORNĚNÍ: Ujistěte se, že je matice pro utahování prsty pevně utažena.

⚠ UPOZORNĚNÍ: Přední rukojeť neposouvejte za značku šipky.

Chcete-li nastavit polohu přední rukojeti, povolte matici pro utahování prsty jejím otočením proti směru hodinových ručiček, poté upravte polohu přední rukojeti a nakonec utáhněte matici pro utahování prsty otočením po směru hodinových ručiček.

- ▶ **Obr.7:** 1. Matice pro utahování prsty 2. Značka šipky

SESTAVENÍ

⚠ UPOZORNĚNÍ: Před prováděním jakýchkoli prací na nářadí se vždy přesvědčte, zda je vypnuté a je vyjmutý akumulátor.

⚠ UPOZORNĚNÍ: Při nasazování stříhacích nožů vždy používejte rukavice, aby nedošlo k přímému kontaktu čepelí s rukama.

Montáž a demontáž stříhacích nožů

⚠ UPOZORNĚNÍ: Před montáží a demontáží stříhacích nožů nasadte na nože kryt.

POZOR: Při výměně stříhacích nožů nestírejte mazivo z převodu a kliky.

POZNÁMKA: Před montáží nebo demontáží stříhacích nožů nejprve rozložte hlavicí nářadí tak, aby byla rovnoběžně s tělem nářadí.

1. Umístěte nářadí vzhůru nohama.
2. Šroubovákem odšroubujte 4 šrouby a vyjměte stříhací nože.
▶ **Obr.8:** 1. Šroub
3. Ze stříhacích nožů vyjměte kliku.
▶ **Obr.9:** 1. Klika

POZNÁMKA: Klika může zůstat v nářadí.

4. Připravte si kliku a nové stříhací nože.
▶ **Obr.10:** 1. Klika 2. Stříhací nože
5. Sejměte kryt nožů a poté jej připevněte na nové nože.
6. Naneste malé množství vazelíny po obvodu kliky. Připevněte podložku, převod a kliku ke kolíku, v tomto pořadí.
▶ **Obr.11:** 1. Klika 2. Převod 3. Podložka 4. Kolík
7. Nastavte kliku tak, aby 2 malé otvory na klice byly zarovnaný s vyrovnávací linií dle obrázku.
▶ **Obr.12:** 1. Vyrovnávací linie 2. Malý otvor
8. Posuňte stříhací nože tak, aby otvor na vodící liště byl umístěn ve středu kroužků nožů.
▶ **Obr.13:** 1. Vodící lišta
9. Vložte šroub odšroubovaný v kroku 2 do otvoru na stříhacích nožích skrze otvor v krytu nožů.
▶ **Obr.14:** 1. Otvor
10. Připevněte stříhací nože k nářadí a poté šroubovákem utáhněte 3 šrouby.
▶ **Obr.15:** 1. Šroub
11. Odšroubujte šroub vložený do otvoru na stříhacích nožích v kroku 9, poté utáhněte, čímž upevníte stříhací nože.

POZOR: Pokud stříhací nože nefungují správně, nože se správně nezapojují do kliky. Odmontujte nože a znovu je namontujte.

POZOR: Jestliže jsou nějaké části kromě stříhacích nožů, například hřídel, opotřebované, požádejte autorizované servisní centrum Makita o náhradní díly nebo opravu.

Montáž a demontáž sběrače odřezků

Volitelné příslušenství

⚠ UPOZORNĚNÍ: Při nasazování nebo odeberání sběrače odřezků vždy používejte rukavice, aby nedošlo k přímému kontaktu stříhacích nožů s rukama.

⚠ UPOZORNĚNÍ: Před nasazováním nebo odeberáním sběrače odřezků nejprve nasadte kryt nožů.

Sběrač odřezků shromažďuje odpadlé listí a velmi usnadňuje následné čištění. Lze jej nainstalovat na obou stranách nástroje.

1. Zarovnejte otvory na sběrači odřezků s maticemi na stříhacích nožích.

► **Obr.16:** 1. Matice

2. Zahákněte zuby sběrače odřezků do drážky na stříhacích nožích.

► **Obr.17:** 1. Zub 2. Drážka

3. Stiskněte páčky na sběrači odřezků, poté zahákněte zuby na druhé straně k drážce na stříhacích nožích.

► **Obr.18:** 1. Páčka

Chcete-li sběrač odřezků sundat, stiskněte páčky, aby se uvolnily zuby.

► **Obr.19:** 1. Páčka

POZOR: Nepoužívejte při demontáži sběrače odřezků příliš velkou sílu, jestliže jsou zuby zachyceny v drážkách stříhacích nožů.

PRÁCE S NÁRADÍM

Používání náradí

⚠ VAROVÁNÍ: Nepoužívejte náradí poblíž elektrického vedení. Kontakt s elektrickým vedením, ale i jen přiblížení k němu mohou vést k vážnému zranění elektrickým proudem, dokonce i smrtelnému.

⚠ VAROVÁNÍ: Nepřibližujte ruce ke stříhacím nožům.

⚠ VAROVÁNÍ: Počínějte si velmi opatrně, abyste nad náradím nikdy neztratili kontrolu. Nedovolte, aby se náradí odrazilo směrem k vám či jakékoli osobě v blízkosti pracoviště. Ztráta kontroly nad náradím může způsobit vážné zranění přihlízejících osob a obsluhu.

⚠ UPOZORNĚNÍ: S náradím pokud možno npracujte v horkém počasí. Při obsluze náradí na sebe dávejte pozor.

⚠ UPOZORNĚNÍ: Při stříhání dávejte pozor, abyste omylem nezasáhli kovový plot nebo jiné tvrdé objekty. Stříhací nože mohou prasknout a způsobit zranění.

⚠ UPOZORNĚNÍ: Dávejte pozor, aby nepřišly stříhací nože do kontaktu se zemí. Náradí se může odrazit a způsobit zranění.

⚠ UPOZORNĚNÍ: Přesahování zastříhovačem, zejména ze žebříku, je velice nebezpečné. Při práci nestůjte na kymácejícím se nebo jinak nestabilním povrchu.

POZOR: Nestříhejte s tímto náradím větve silnější než 10 mm v průměru. Před použitím tohoto náradí odstříhňte větve 10 cm pod úroveň výšky sečení pomocí nůžek na větve.

► **Obr.20:** (1) Výška sečení (2) 10 cm

POZOR: Nestříhejte uschlé stromy ani podobné tvrdé objekty. V opačném případě může dojít k poškození náradí.

POZOR: Se stříhacími noži nestříhejte trávu ani plevel. Stříhací nože se mohou zamotat do trávy nebo plevele.

Podržte náradí oběma rukama za přední a zadní rukojeť.

► **Obr.21:** 1. Přední rukojeť 2. Zadní rukojeť

Stiskněte nejprve odjišťovací tlačítko a poté spoušť, následně pohněte náradím kupředu.

► **Obr.22**

Při stříhání nakloňte stříhací nože ve směru stříhání a pomalu postupujte tak, abyste přes metr délky přešli za 3 až 4 sekundy.

► **Obr.23**

K dosažení rovnoměrného svislého zástříhu je vhodné stříhat zdola nahoru.

► **Obr.24**

Pokud chcete při stříhání dosáhnout zaobleného tvaru (zastříhování zimostrázu nebo rododendronu atd.), stříhejte od kořene k vršku.

► **Obr.25**

Sběrač odřezků připevněný k stříhacím nožům shromažďuje odpadlé listí a velmi usnadňuje následné čištění.

► **Obr.26**

ÚDRŽBA

⚠ UPOZORNĚNÍ: Před zahájením kontroly nebo údržby náradí se vždy ujistěte, zda je vypnuté a je vyjmut akumulátor.

⚠ UPOZORNĚNÍ: Při kontrole nebo údržbě zařízení jej vždy položte na zem. Provádě-li se montáž nebo seřizování náradí ve svislé poloze, může dojít k vážnému zranění.

K zachování BEZPEČNOSTI a SPOLEHLIVOSTI výrobku musí být opravy a veškerá další údržba či seřizování prováděny autorizovanými nebo továrními servisními středisky společnosti Makita s využitím náhradních dílů Makita.

Čištění nástroje

Vyčistěte nástroj setřením prachu suchým hadrem nebo hadrem ponořeným do mýdlové vody a vyždímaným.

POZOR: Nikdy nepoužívejte benzín, benzen, ředidlo, alkohol či podobné prostředky. Mohlo by tak dojít ke změnám barvy, deformacím či vzniku prasklin.

Údržba stříhacích nožů

Před provozem nebo jednou za hodinu během provozu na stříhací nože naneste olej s nízkou viskozitou (strojní olej nebo mazací olej ve spreji).

► Obr.27

Po provozu odstraňte prach z obou stran stříhacích nožů drátěným kartáčem, setřete je hadrem a poté naneste na stříhací nože olej s nízkou viskozitou (strojní olej nebo mazací olej ve spreji).

► Obr.28

POZOR: Nemyjte stříhací nože ve vodě. V opačném případě může dojít ke korozi nebo poškození nástroje.

POZOR: Nečistoty a koroze vyvolají přílišné tření nožů a zkrátí výdrž akumulátoru.

Skladování

Nasaďte kryt nožů na stříhací nože, aby nebyly nože odkryty. Uchovávejte nářadí mimo dosah dětí. Uchovávejte nářadí na místě, kde nebude vystaveno vlhkosti a dešti.

ŘEŠENÍ POTÍŽÍ

Před žádostí o opravu proveďte nejprve prohlídku sami. Narazíte-li na problém, jenž v této příručce není vysvětlen, nepouštějte se do demontáže zařízení. Požádejte o pomoc některé z autorizovaných servisních středisek Makita, kde k opravám vždy používají náhradní díly Makita.

Problém	Pravděpodobná příčina (porucha)	Náprava
Motor neběží.	Není nasazen blok akumulátoru.	Nainstalujte blok akumulátoru.
	Problém s akumulátorem (nízké napětí)	Nabijte akumulátor. Jestliže nabít nepomůže, vyměňte akumulátor.
	Systém pohonu nepracuje správně.	Předejte zařízení k opravě v místním autorizovaném servisním středisku.
Motor se po krátkém použití zastaví nebo vůbec neběží.	Akumulátor není dostatečně nabitý.	Nabijte akumulátor. Jestliže nabít nepomůže, vyměňte akumulátor.
	Došlo k přehřátí.	Přestaňte nářadí používat a nechte jej vychladnout.
Nářadí nedosahuje maximálních otáček.	Akumulátor je nesprávně nasazen.	Nainstalujte akumulátor podle popisu v této příručce.
	Poklesl výkon akumulátoru.	Nabijte akumulátor. Jestliže nabít nepomůže, vyměňte akumulátor.
	Systém pohonu nepracuje správně.	Předejte zařízení k opravě v místním autorizovaném servisním středisku.
Stříhací nože se nepohybují: ⇒ zařízení ihned vypněte!	Nesprávný úhel stříhacích nožů.	Ujistěte se, že je hlavice řádně zajištěna v provozním úhlu.
	Mezi stříhací nože jsou zachyceny cizí předměty.	Vypněte nářadí a vyjměte akumulátor, poté odstraňte cizí předměty pomocí nástrojů jako kleště atd.
	Systém pohonu nepracuje správně.	Předejte zařízení k opravě v místním autorizovaném servisním středisku.
Nenormální vibrace: ⇒ zařízení ihned vypněte!	Stříhací nože jsou zlomené, ohnuté či opotřebené.	Vyměňte stříhací nože.
	Systém pohonu nepracuje správně.	Předejte zařízení k opravě v místním autorizovaném servisním středisku.
Stříhací nože a motor nelze vypnout: ⇒ Okamžitě vyjměte akumulátor!	Elektrická závada.	Vyjměte akumulátor a zařízení předejte k opravě v místním autorizovaném servisním středisku.

VOLITELNÉ PŘÍSLUŠENSTVÍ

▲ UPOZORNĚNÍ: Pro nářadí Makita popsané v tomto návodu doporučujeme používat následující příslušenství a nástavce. Při použití jiného příslušenství či nástavců může hrozit nebezpečí zranění osob. Příslušenství lze používat pouze pro stanovené účely.

Potřebujete-li bližší informace ohledně tohoto příslušenství, obraťte se na místní servisní středisko společnosti Makita.

- Sestava stříhacích nožů
- Sběrač odězků
- Nádoba s mazivem
- Originální akumulátor a nabíječka Makita

POZNÁMKA: Některé položky seznamu mohou být k nářadí přibaleny jako standardní příslušenství. Přibalené příslušenství se může v různých zemích lišit.

ТЕХНІЧНІ ХАРАКТЕРИСТИКИ

Модель:	DUN461W
Довжина полотна	460 мм
Робоча частота	3 600 хв ⁻¹
Кут різальної пластини	135° (вгору 60°, вниз 75°)
Загальна довжина	1 889 - 2 511 мм
Номінальна напруга	18 В пост. струму
Маса нетто	3,0 – 3,3 кг

- Оскільки наша програма наукових досліджень і розробок триває безперервно, наведені тут технічні характеристики можуть бути змінені без попередження.
- У різних країнах технічні характеристики можуть бути різними.
- Вага може відрізнятись залежно від допоміжного обладнання, наприклад касети з акумулятором. Найлегші та найважчі комплекти, відповідно до стандарту ЕРТА (Європейська асоціація виробників електронінструменту) від січня 01/2014 року, представлено в таблиці.

Застосовна касета з акумулятором і зарядний пристрій

Касета з акумулятором	BL1815N / BL1820B / BL1830B / BL1840B / BL1850B / BL1860B
Зарядний пристрій	DC18RC / DC18RD / DC18RE / DC18SD / DC18SE / DC18SF / DC18SH / DC18WC

- Деякі касети з акумулятором і зарядні пристрої, які вказано вище, можуть бути недоступними залежно від вашого регіону або місця перебування.

⚠ ПОПЕРЕДЖЕННЯ: Використовуйте лише касети з акумулятором і зарядні пристрої, перелічені вище. Використання будь-яких інших касет з акумулятором і зарядних пристроїв може призвести до травмування й/або пожежі.





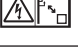

Рекомендоване джерело енергопостачання з дротовим підключенням

Портативний блок живлення	PDC01
---------------------------	-------

- У деяких регіонах певні моделі джерел енергопостачання з дротовим підключенням, які вказано вище, можуть бути недоступні.
- Перед використанням джерела енергопостачання з дротовим підключенням прочитайте інструкції та попереджувальні написи на них.

Символи

Далі наведено символи, які можуть застосовуватися для позначення обладнання. Перед користуванням переконайтеся, що ви розумієте їхнє значення.

	Читайте посібник з експлуатації.
	Не піддавайте впливу вологи.
	Обов'язково надягайте каску, захисні окуляри та засоби захисту органів слуху.
	НЕБЕЗПЕЧНО! Тримайте руки на безпечній відстані від леза.
	Остерігайтеся ліній електропередач – існує ризик ураження електричним струмом.
	Тримайте відстань щонайменше 15 м.



Тільки для країн ЄС
Через наявність в обладнанні небезпечних компонентів відходи електричного та електронного обладнання, акумулятори та батареї можуть негативно впливати на навколишнє середовище та здоров'я людини.
Не викидайте електричні та електронні прилади або батареї разом з побутовими відходами!
Відповідно до директиви ЄС стосовно відходів електричного та електронного обладнання, акумуляторів, батарей та відходів акумуляторів і батарей, а також відповідно до її адаптації до національного законодавства, відходи електричного обладнання, батареї та акумулятори слід зберігати окремо й доставляти на пункт роздільного збору комунальних відходів, який працює з дотриманням правил охорони навколишнього середовища.
Це позначено символом у вигляді перекресленого сміттового контейнера з колесами, нанесеним на обладнання.



Гарантований рівень звукової потужності відповідно до Директиви ЄС щодо шумів поза приміщеннями.



Рівень звукової потужності відповідно до Регламенту Австралії (Новий Південний Уельс) з контролю за шумом

Призначення

Інструмент призначено для підрізання живоплоту.

Шум

Рівень шуму за шкалою A в типовому виконанні, визначений відповідно до стандарту EN62841-4-2: Рівень звукового тиску (L_{pA}): 74 дБ (A)
Похибка (K): 3 дБ (A)

Рівень шуму під час роботи може перевищувати 80 дБ (A).

ПРИМІТКА: Заявлене значення шуму було виміряно відповідно до стандартних методів тестування й може використовуватися для порівняння одного інструмента з іншим.

ПРИМІТКА: Заявлене значення шуму може також використовуватися для попереднього оцінювання впливу.

▲ПОПЕРЕДЖЕННЯ: Користуйтеся засобами захисту органів слуху.

▲ПОПЕРЕДЖЕННЯ: Залежно від умов використання рівень шуму під час фактичної роботи електроінструмента може відрізнитися від заявленого значення вібрації; особливо сильно на це впливає тип деталі, що оброблюється.

▲ПОПЕРЕДЖЕННЯ: Забезпечте належні запобіжні заходи для захисту оператора, що відповідатимуть умовам використання інструмента (слід брати до уваги всі складові робочого циклу, як-от час, коли інструмент вимкнено та коли він починає працювати на холостому ході під час запуску).

Вібрація

Відповідний стандарт : EN62841-4-2

Ліва рука (передня ручка)		Права рука (задня ручка)	
a_h (m/s^2)	Похибка K (m/s^2)	a_h (m/s^2)	Похибка K (m/s^2)
2,5 m/s^2 або менше	1,5	2,5 m/s^2 або менше	1,5

ПРИМІТКА: Заявлене загальне значення вібрації було виміряно відповідно до стандартних методів тестування й може використовуватися для порівняння одного інструмента з іншим.

ПРИМІТКА: Заявлене загальне значення вібрації може також використовуватися для попереднього оцінювання впливу.

▲ПОПЕРЕДЖЕННЯ: Залежно від умов використання вібрація під час фактичної роботи електроінструмента може відрізнитися від заявленого значення вібрації; особливо сильно на це впливає тип деталі, що оброблюється.

▲ПОПЕРЕДЖЕННЯ: Забезпечте належні запобіжні заходи для захисту оператора, що відповідатимуть умовам використання інструмента (слід брати до уваги всі складові робочого циклу, як-от час, коли інструмент вимкнено та коли він починає працювати на холостому ході під час запуску).

Декларація про відповідність стандартам ЄС

Тільки для країн Європи

Декларацію про відповідність стандартам ЄС наведено в Додатку А до цієї інструкції з експлуатації.

ПОПЕРЕДЖЕННЯ ПРО ДОТРИМАННЯ ТЕХНІКИ БЕЗПЕКИ

Загальні застереження щодо техніки безпеки при роботі з електроінструментами

▲ПОПЕРЕДЖЕННЯ: Уважно ознайомтеся з усіма попередженнями про дотримання правил техніки безпеки, інструкціями, ілюстраціями та технічними характеристиками, що стосуються цього електроінструмента. Невиконання будь-яких інструкцій, перелічених нижче, може призвести до ураження електричним струмом, пожежі та/або тяжких травм.

Збережіть усі інструкції з техніки безпеки та експлуатації на майбутнє.

Термін «електроінструмент», зазначений у інструкції з техніки безпеки, стосується електроінструмента, який функціонує від електромережі (електроінструмент з кабелем живлення), або електроінструмента з живленням від батареї (безпроводний електроінструмент).

Попередження про техніку безпеки під час роботи з акумуляторною штанговою пилою для підрізання живоплоту

1. **Тримайтеся подалі від леза. Не видаляйте зрізаний матеріал і не притримуйте матеріал, який ви хочете зрізати, під час руху лез.** Леза продовжують рухатися після вимкнення вимикача. Одна мить необережності під час роботи з пилою для підрізання живоплоту може призвести до важкої травми.
2. **Переносьте пилу для підрізання живоплоту за ручку після повної зупинки леза та будьте обережні, щоб не натиснути вимикач живлення.** Дотримання правил техніки безпеки під час перенесення пили для підрізання живоплоту знизить ризик випадкового пуску й отримання травм від лез.
3. **Під час транспортування або зберігання пили для підрізання живоплоту встановлюйте чохол на леза.** Поводження з пилою для підрізання живоплоту з дотриманням правил техніки безпеки знизить ризик отримання травм від лез.
4. **Під час видалення застряглих обрізків або обслуговування інструмента переконайтеся в тому, що всі вимикачі живлення вимкнені, блок акумулятора вийнято або від'єднано.** Несподіване ввімкнення пили для підрізання живоплоту під час видалення застряглих предметів або обслуговування може призвести до важких травм.
5. **Тримайте пилу для підрізання живоплоту тільки за спеціальні ізольовані поверхні, оскільки лезо може зачепити приховану електропроводку.** Торкання лезом дроту під напругою може призвести до передавання напруги до оголених металевих частин пили для підрізання живоплоту та до ураження оператора електричним струмом.
6. **Тримайте всі шнури живлення та кабелі подалі від місця зрізання.** Шнури живлення або кабелі можуть бути сховані в живоплотах або кущах і можуть бути випадково розрізані лезом.
7. **Не використовуйте пилу для підрізання живоплоту за поганих погодних умов, особливо коли є ризик виникнення грозового розряду.** Це зменшує ризик ураження блискавкою.

8. **Щоб зменшити ризик ураження електричним струмом, заборонено використовувати пилу для підрізання живоплоту поблизу ліній електропередач.** Контакт із лініями електропередач або використання пристрою поблизу них може призвести до важких травм або ураження електричним струмом із летальним результатом.
9. **Під час роботи пилу для підрізання живоплоту слід тримати двома руками.** Тримайте пилу для підрізання живоплоту двома руками, щоб не допустити втрати контролю.
10. **Під час роботи з пилою для підрізання живоплоту над головою використовуйте засоби захисту голови.** Уламки, що падають, можуть призвести до важких травм.

Додаткові інструкції з техніки безпеки

Підготовка

1. **ЦЯ ПИЛА ДЛЯ ПІДРІЗАННЯ ЖИВОПЛОТУ МОЖЕ ЗАВДАТИ ВАЖКИХ ТРАВМ.** Уважно прочитайте інструкції з експлуатації, підготовки, технічного обслуговування, запуску й зупинки інструмента. Ознайомтеся з усіма елементами керування й правилами належного використання інструмента.
2. **Перед початком робіт з інструментом перевіряйте живопліт і кущі на наявність сторонніх предметів, як-от дротяні загорожі чи прихована електропроводка.**
3. **Дітям і підліткам молодшим 18 років забороняється користуватися пилою.** Цю заборону може бути знято з молодих людей віком понад 16 років під час проходження практики під наглядом майстра.
4. **У разі надзвичайної ситуації негайно вимкніть інструмент і вийміть касету з акумулятором.**
5. **НЕБЕЗПЕЧНО - Тримайте руки подалі від ножового полотна.** Контакт із полотном призведе до серйозної травми.
6. **У разі використання інструмента користувачами-початківцями досвідчений користувач має показати, як правильно працювати з інструментом.**
7. **Перед початком роботи перевірте робочу ділянку на наявність дротяних загорож, каміння або інших твердих предметів.** Вони можуть пошкодити леза.
8. **Працювати з пилою можна, лише якщо ви в хорошому фізичному стані.** Якщо ви втомлені, ваша увага знижена. Будьте особливо обережними наприкінці робочого дня. Усю роботу виконуйте спокійно та обережно. Користувач несе відповідальність за будь-яку шкodu, завдану іншим особам.
9. **Перед початком роботи перевірте, чи справна пила та чи в належному вона робочому стані.** Перевірте, чи правильно закріплені запобіжні деталі корпусу. Пилу для підрізання живоплоту можна використовувати тільки в повністю зібраному стані.

10. Не працюйте з інструментом у небезпечних умовах. Не користуйтеся інструментом у вологих або мокрих місцях і не допускайте його знаходження під дощем. У випадку потрапляння води в інструмент зростає ризик ураження електричним струмом.
8. Перед запуском переконайтеся в тому, що інструмент розташовано правильно в належному положенні.
9. Не використовуйте інструмент із пошкодженими або надмірно зношеними лезами секатора.

Засоби індивідуального захисту

1. Робочі рукавиці з міцної гуми входять до набору обладнання пили; обов'язково вдягайте їх під час роботи з нею. Взуття має бути міцним, із підшвами, що не ковзають.
2. Щоб запобігти втраті слуху, користуйтеся засобами захисту органів слуху, наприклад навушниками.
3. Щоб захистити себе від уламків, що розлітаються, або предметів, що падають, користуйтеся засобами захисту очей, шоломом і захисними рукавичками.
4. Коли торкаєтеся лез або регулюєте кут леза, користуйтеся захисними рукавицями. Незахищені руки можна сильно поранити лезами.
10. Завжди контролюйте навколишню ситуацію й будьте пильні щодо можливих небезпек, про які ви можете не знати через шум інструмента.
11. Будьте обережні: не допускайте випадкового контакту з металом або іншими твердими предметами під час роботи. Лезо зламається й може спричинити важкі травми.
12. Не допускайте випадкового запуску. Не переносьте інструмент з установленою в нього касетою з акумулятором і поклавши палець на перемикач. Під час установки касети з акумулятором переконайтеся в тому, що вимикач вимкнений.

Робота

1. Під час роботи інструмент слід утримувати двома руками. Утримування інструмента однією рукою може призвести до втрати контролю й важкої травми.
2. Під час роботи з інструментом завжди контролюйте, щоб робоче положення було безпечним і надійним. Не дотрагуйтеся до віддалених зон, коли працюєте з інструментом, особливо стоячи на драбині: це надзвичайно небезпечно. Під час роботи не стійте на нестійкій або неміцній поверхні.
3. Під час роботи з інструментом не використовуйте одночасно кілька ременів та / або плечових ременів.
4. Під час роботи сторонні особи й тварини мають перебувати на відстані щонайменше 15 м від інструмента. У разі наближення будь-якої особи або тварини негайно вимкніть інструмент.
5. Якщо різальний інструмент вдариться об який-небудь предмет або в разі виникнення ненормального шуму або вібрації в інструменті, вимкніть інструмент, негайно витягніть касету з акумулятором і зачекайте, доки інструмент зупиниться. Після цього зробіть наступні кроки:
 - огляньте інструмент на предмет пошкоджень;
 - перевірте на наявність незакріплених деталей і затягніть їх;
 - замініть пошкоджені деталі на оригінальні або відремонтуйте їх.
6. Використовуйте інструмент лише за призначенням. Не використовуйте інструмент для будь-яких інших цілей.
7. Вимикайте інструмент і виймайте касету з акумулятором перед такими процедурами:
 - очищення або усунення засмічення;
 - перевірка, виконання технічного обслуговування або робота з інструментом;
 - регулювання робочого положення лез секатора;
 - коли залишаєте інструмент без нагляду.
13. Піднімаючи інструмент або тримаючи його, не торкайтеся відкритих різальних пластин або різальної кромки.
14. Не прикладайте силу до інструмента. Він працюватиме краще та з меншою ймовірністю нанесення травм під час роботи на швидкості, на яку його розраховано.
15. Не використовуйте інструмент під час дощу або за умов високої вологості чи вогкості. Електричний двигун не є водостійким.
16. Під час роботи міцно тримайте інструмент.
17. Без потреби не допускайте, щоб інструмент працював без навантаження.
18. Перед перевіркою лез секатора, усуненням поломок чи видаленням сторонніх предметів, які застрягли в лезах секатора, завжди вимикайте інструмент і виймайте касету з акумулятором.
19. Ніколи не направляйте леза секатора на себе або інших людей.
20. Якщо під час роботи ножі зупиняться внаслідок потрапляння між ними сторонніх предметів, вимкніть інструмент і витягніть касету з акумулятором, після чого видаліть сторонні предмети, наприклад, плоскогубцями. Видалення сторонніх предметів руками пов'язане з ризиком травмування, оскільки під час видалення сторонніх предметів ножі можуть зміститися.

Електробезпека й техніка безпеки під час роботи з акумулятором

1. Не працюйте з інструментом у небезпечних умовах. Не користуйтеся інструментом у вологих або мокрих місцях і не допускайте його перебування під дощем. У випадку потрапляння води в інструмент зростає ризик ураження електричним струмом.
2. Не спалюйте акумулятори. Акумулятор може вибухнути. Ознайомтеся з місцевими законами, які можуть містити спеціальні інструкції щодо утилізації відходів.
3. Не відкривайте й не деформуйте акумулятори. Електроліт є їдкою речовиною, тому в разі контакту зі шкірою або очима може завдатися травму. У разі проковтування він може бути токсичним.

4. Не заряджайте акумулятор під дощем або в місцях із підвищеною вологістю.
5. Перезаряджайте акумулятор тільки в приміщенні.
6. Не торкайтеся зарядного пристрою, а також штекера й контактів зарядного пристрою вологими руками.

Технічне обслуговування й зберігання

1. У разі зупинки інструмента для обслуговування, перевірки або для зберігання вимкніть інструмент, вийміть касету з акумулятором і переконайтеся в тому, що всі рухомі частини зупинилися. Дайте інструменту охолонути, перш ніж виконувати перевірки, налаштування тощо.
2. Перед тим як ставити інструмент на зберігання, дайте йому охолонути.
3. Коли інструмент не використовується, вдягайте чохол на леза інструмента й зберігайте інструмент у сухому замкненому місці на висоті поза зоною досяжності дітей.
4. Будьте обережні під час технічного обслуговування інструмента. Різальний край повинен завжди бути заточеним і чистим для забезпечення максимально ефективною роботи й уникнення травм. Дотримуйтесь інструкцій щодо змащення й заміни додаткового приладдя. Ручки мають бути сухими, чистими, вони не повинні бути забрудненими мастилом або жиром.
5. Перевірте елементи на предмет пошкодження. Перш ніж продовжувати використання інструмента, слід перевірити пошкоджену деталь, щоб переконатися в тому, що вона може й далі виконувати свої функції належним чином. Переконайтеся в співвідношенні, відсутності пошкоджень рухомих деталей, надійності кріплення й відсутності інших дефектів, які можуть вплинути на роботу інструмента. Ремонтувати або замінювати пошкоджені деталі або захисний кожух повинні спеціалісти авторизованого сервісного центру.
6. Використовуйте лише оригінальні запчастини.
7. Під час переміщення інструмента в інше місце, зокрема під час роботи, завжди знімайте касету з акумулятором і встановлюйте чохол на лезо секатора. Заборонено переносити й перевозити інструмент для підрізання живоплуту з лезами, що рухаються. Заборонено торкатися руками лез.
8. Очищуйте інструмент і особливо леза секатора після використання, а також перед тривалим зберіганням. Нанесіть невелику кількість мастила на леза секатора та вдягніть чохол.
9. Не спалюйте акумулятор(и). Акумулятор може вибухнути. Ознайомтеся з місцевими законами на предмет можливих спеціальних інструкцій з утилізації відходів.
10. Не відкривайте та не деформуйте акумулятор(и). Пролитий електроліт є роз'їдаючою речовиною, тому може нанести травму при контакті зі шкірою або очима. При проковтуванні може бути токсичним.

11. Не заряджайте акумулятор під дощем або в місцях із підвищеною вологістю.

ЗБЕРІГАЙТЕ ЦІ ВКАЗІВКИ.

▲ ПОПЕРЕДЖЕННЯ: НИКОЛИ НЕ втрачайте пильності та не розслабляйтеся під час користування виробом (що можливо при частому використанні); обов'язково строго дотримуйтеся відповідних правил безпеки. **НЕНАЛЕЖНЕ ВИКОРИСТАННЯ** або недотримання правил техніки безпеки, викладених у цій інструкції з експлуатації, може призвести до серйозних травм.

Важливі інструкції з безпеки для касети з акумулятором

1. Перед тим як користуватися касетою з акумулятором, слід прочитати всі інструкції та застережні знаки щодо (1) зарядного пристрою акумулятора, (2) акумулятора та (3) виробів, що працюють від акумулятора.
2. Не розбирайте касету з акумулятором і не змінюйте її конструкцію. Це може призвести до пожежі, перегріву або вибуху.
3. Якщо період роботи дуже покоротшав, слід негайно припинити користування. Це може призвести до виникнення ризику перегріву, опіку та навіть вибуху.
4. У разі потрапляння електроліту в очі слід промити їх чистою водою та негайно звернутися до лікаря. Це може призвести до втрати зору.
5. Не закоротіть касету з акумулятором.
 - (1) Не слід торкатися клем будь-яким струмопровідним матеріалом.
 - (2) Не слід зберігати касету з акумулятором у ємності з іншими металевими предметами, такими як цвяхи, монети тощо.
 - (3) Не залишайте касету з акумулятором під дощем, запобігайте контакту з водою.
 Коротке замикання може призвести до появи значного струму, перегріву, можливих опіків та навіть виходу з ладу.
6. Не слід зберігати й використовувати інструмент і касету з акумулятором у місцях, де температура може сягнути чи перевищити 50 °C (122 °F).
7. Не слід спалювати касету з акумулятором, навіть якщо вона була неодноразово пошкоджена або повністю спрацьована. Касета з акумулятором може вибухнути у вогні.
8. Заборонено забивати цвяхи в касету з акумулятором, різати, ламати, кидати, впускати касету з акумулятором або вдаряти її твердим предметом. Це може призвести до пожежі, перегріву або вибуху.
9. Не слід використовувати пошкоджений акумулятор.

10. **Літій-іонні акумулятори, що містяться в інструменті, мають відповідати вимогам законів про небезпечні товари.**
Під час транспортування за допомогою комерційних перевезень, наприклад із залученням третьої сторони та експедиторів, необхідно дотримуватись особливих вимог, вказаних на пакуванні й у маркуванні.
Під час підготування позиції до відправлення необхідно проконсультуватись зі спеціалістом з небезпечних матеріалів. Крім того, слід виконувати більш докладні національні настанови, якщо такі є.
Заклейте відкриті контакти стрічкою або заховайте їх і запакуйте акумулятор таким чином, щоб він не міг рухатися в пакуванні.
11. **Для утилізації касети з акумулятором витягніть її з інструмента та утилізуйте безпечним способом. Дотримуйтеся норм місцевого законодавства щодо утилізації акумуляторів.**
12. **Використовуйте акумулятори лише з виробами, указаними компанією Makita.**
Установлення акумуляторів у невідповідні виробу може призвести до пожежі, надмірного нагрівання, вибуху чи витоку електроліту.
13. **Якщо інструментом не користуватимуться протягом тривалого періоду часу, вийміть акумулятор з інструмента.**
14. **Під час і після використання касета з акумулятором може нагріватися, що може стати причиною опіків або низькотемпературних опіків. Будьте обережні під час поводження з гарячою касетою з акумулятором.**
15. **Не торкайтеся контактів інструмента відразу після використання, оскільки він може бути досить гарячим, щоб викликати опіки.**
16. **Не допускайте, щоб уламки, пил або земля прилипали до контактів, отворів і пазів на касеті з акумулятором. Це може призвести до перегріву, займання, вибуху та виходу з ладу інструмента або касети з акумулятором і спричинити опіки або травми.**
17. **Якщо інструмент не розраховано на використання поблизу високовольтних ліній електропередач, не використовуйте касету з акумулятором поблизу високовольтних ліній електропередач. Це може призвести до несправності, поломки інструмента або касети з акумулятором.**
18. **Тримайте акумулятор у недоступному для дітей місці.**

ЗБЕРІГАЙТЕ ЦІ ВКАЗІВКИ.

⚠ОБЕРЕЖНО: Використовуйте тільки акумулятори Makita. Використання акумуляторів, інших ніж оригінальні акумулятори Makita, або акумуляторів, конструкцію яких було змінено, може призвести до вибуху акумулятора і спричинити пожежу, травму або пошкодження. У зв'язку з цим також буде анульовано гарантію Makita на інструмент Makita і на зарядний пристрій.

Поради з забезпечення максимального строку експлуатації акумулятора

1. Касету з акумулятором слід заряджати до того, як він розрядиться повністю. Завжди слід зупиняти роботу інструмента та зарядити акумулятор, якщо ви помітили зменшення потужності інструмента.
2. Ніколи не слід заряджати повторно повністю заряджену касету з акумулятором. Перезарядження скорочує строк експлуатації акумулятора.
3. Заряджайте касету з акумулятором при кімнатній температурі 10°C - 40°C (50°F - 104°F). Перед тим як заряджати касету з акумулятором, слід зачекати, доки вона охолоне.
4. Коли касета з акумулятором не використовується, виймайте її з інструмента або зарядного пристрою.
5. Якщо касета з акумулятором не використовувалася тривалий час (понад шість місяців), її слід зарядити.

ОПИС ДЕТАЛЕЙ

► Рис.1

1	Головка	2	Кнопка регулювання кута	3	Важіль блокування	4	Гайка з накаткою
5	Передня ручка	6	Задня ручка	7	Касета з акумулятором	8	Курок вмикача
9	Кнопка блокування вимкненого положення	10	Леза секатора	-	-	-	-

ОПИС РОБОТИ

⚠ ОБЕРЕЖНО: Обов'язково переконайтеся, що прилад вимкнено, а касету з акумулятором знято, перед регулюванням або перевіркою функціонування інструмента.

Встановлення та зняття касети з акумулятором

⚠ ОБЕРЕЖНО: Завжди вимикайте інструмент перед встановленням або зняттям касети з акумулятором.

⚠ ОБЕРЕЖНО: Під час встановлення або зняття касети з акумулятором слід міцно тримати інструмент та касету з акумулятором. Якщо ви утримуватимете інструмент та касету з акумулятором недостатньо міцно, вони можуть вислизнути з рук, що може призвести до пошкодження інструмента та касети з акумулятором або може спричинити травми.

► **Рис.2:** 1. Червоний індикатор 2. Кнопка 3. Касета з акумулятором

Щоб зняти касету з акумулятором, слід витягнути її з інструмента, натиснувши на кнопку в передній частині касети.

Щоб установити касету з акумулятором, слід сумістити виступ на касеті з акумулятором із пазом у корпусі й вставити касету на місце. Вставляйте її до кінця, щоб вона зафіксувалася з легким клацанням. Якщо ви бачите червоний індикатор, як показано на рисунку, її не зафіксовано повністю.

⚠ ОБЕРЕЖНО: Завжди вставляйте касету з акумулятором повністю, щоб червоного індикатора не було видно. Якщо цього не зробити, касета може випадково випасти з інструмента та завдати травми вам або людям, що знаходяться поряд.

⚠ ОБЕРЕЖНО: Не встановлюйте касету з акумулятором із зусиллям. Якщо касета не вставляється легко, то це означає, що ви її неправильно вставляєте.

Відображення залишкового заряду акумулятора

Тільки для касет з акумулятором, які мають індикатори

► **Рис.3:** 1. Індикаторні лампи 2. Кнопка перевірки
Натисніть кнопку перевірки на касеті з акумулятором для відображення залишкового ресурсу акумулятора. Індикаторні лампи загоряться на кілька секунд.

Індикаторні лампи			Залишковий ресурс
Горить	Вимк.	Блимає	
■ ■ ■ ■	□ □ □ □	□ □ □ □	від 75 до 100%
■ ■ ■ □	□ □ □ □	□ □ □ □	від 50 до 75%
■ ■ □ □	□ □ □ □	□ □ □ □	від 25 до 50%
■ □ □ □	□ □ □ □	□ □ □ □	від 0 до 25%
▤ □ □ □	□ □ □ □	□ □ □ □	Зарядіть акумулятор.
■ ■ □ □	□ □ □ □	□ □ □ □	Можливо, акумулятор вийшов з ладу.
□ □ □ ■	□ □ □ □	□ □ □ □	

ПРИМІТКА: Залежно від умов використання та температури оточуючого середовища показання можуть незначним чином відрізнятися від дійсного ресурсу.

ПРИМІТКА: Перша (дальня ліва) індикаторна лампа блимає під час роботи захисної системи акумулятора.

Система захисту інструмента/акумулятора

Інструмент оснащено системою захисту інструмента/акумулятора. Ця система автоматично вимикає живлення двигуна з метою збільшення терміну служби інструмента та акумулятора. Інструмент автоматично зупиняється під час роботи, якщо інструмент або акумулятор перебувають у зазначених нижче умовах.

Захист від перевантаження

Якщо умови експлуатації інструмента чи акумулятора спричиняють надмірно високе споживання струму, інструмент автоматично зупиняється. У такому випадку вимкніть інструмент і припиніть роботу, під час виконання якої сталося його перевантаження. Потім знову ввімкніть інструмент, щоб перезапустити його.

Захист від перегрівання

Коли інструмент або акумулятор перегрівається, інструмент зупиняється автоматично. У такому разі дайте інструменту й акумулятору охолонути, перш ніж знову вмикати інструмент.

Захист від надмірного розрядження

Коли заряд акумулятора стає недостатнім для подальшої роботи, інструмент автоматично зупиняється. У такому випадку вийміть акумулятор з інструмента та зарядіть його.

Дія вимикача

▲ ПОПЕРЕДЖЕННЯ: Перед тим як вставляти касету з акумулятором в інструмент, обов'язково перевірте, чи курок вмикача спрацьовує належним чином та повертається у положення «ВИМК.», коли його відпускають.

▲ ПОПЕРЕДЖЕННЯ: З міркувань безпеки цей інструмент обладнано кнопкою блокування вимкненого положення, що запобігає довільному запуску інструмента. Заборонено користуватися інструментом, якщо він вмикається натисканням курка вмикача без натискання кнопки блокування вимкненого положення. Зверніться до місцевого сервісного центру компанії Makita для проведення ремонту.

▲ ПОПЕРЕДЖЕННЯ: Заборонено відключати функцію блокування. Кнопка блокування вимкненого положення не повинна фіксуватися у натисненому положенні.

УВАГА: Не натискайте з силою на курок вмикача, якщо кнопку блокування вимкненого положення не натиснуто. Курок вмикача може зламатися.

► **Рис.4:** 1. Кнопка блокування вимкненого положення 2. Курок вмикача

Для запобігання випадковому натисканню курка вмикача передбачено кнопку блокування вимкненого положення. Щоб увімкнути інструмент, натисніть кнопку блокування вимкненого положення та натисніть на курок вмикача. Щоб зупинити роботу, відпустіть курок вмикача. Кнопку блокування вимкненого положення можна натиснути зліва чи справа.

Порядок регулювання кута різання

▲ ОБЕРЕЖНО: Перед тим, як скласти або розкласти головку, переконайтеся в тому, що інструмент вимкнено.

▲ ОБЕРЕЖНО: Під час складання головки для перенесення інструмента або після його використання не забудьте вдягнути чохол на лезо, перш ніж скласти головку.

▲ ОБЕРЕЖНО: Під час складання головки будьте обережні, щоб не затиснути пальці між головкою й корпусом інструмента.

Кут головки можна відрегулювати в межах 10 положень. Для зміни кута головки виконайте вказані далі дії.

1. Утримуйте головку й корпус інструмента, як показано на рисунку.

► **Рис.5:** 1. Головка 2. Кнопка регулювання кута

2. Встановіть кут нахилу головки, утримуючи кнопку регулювання кута, а потім відпустіть кнопку регулювання кута.

3. Злегка посуньте головку, поки вона не зафіксується з клацанням.

ПРИМІТКА: Перед увімкненням інструмента переконайтеся в тому, що головка надійно зафіксована.

Регулювання довжини трубки

▲ ОБЕРЕЖНО: Перед регулюванням довжини трубки переконайтеся в тому, що інструмент вимкнено.

▲ ОБЕРЕЖНО: Під час регулювання довжини трубки не забудьте прикріпити кожух ножа, перш ніж виконувати регулювання довжини трубки.

▲ ОБЕРЕЖНО: Під час регулювання довжини трубки будьте обережні, щоб не затиснути пальці.

▲ ОБЕРЕЖНО: Переконайтеся, що важіль блокування надійно зафіксовано.

▲ ОБЕРЕЖНО: Під час регулювання довжини трубки покладіть інструмент на бік. Якщо інструмент буде розташований вертикально, його головка може раптом опуститися та спричинити травму.

Відпустіть важіль блокування й відрегулюйте трубку за довжиною, після чого заблокуйте важіль блокування.

► **Рис.6:** 1. Важіль блокування

Регулювання положення передньої ручки

▲ ОБЕРЕЖНО: Перед регулюванням положення передньої ручки переконайтеся в тому, що інструмент вимкнено.

▲ ОБЕРЕЖНО: Під час регулювання положення передньої ручки будьте обережні, щоб не затиснути пальці.

▲ ОБЕРЕЖНО: Упевніться, що гайку з накаткою надійно затягнуто.

▲ ОБЕРЕЖНО: Не переміщуйте передню рукоятку за межі позначки у вигляді стрілки.

Для регулювання положення передньої ручки відпустіть гайку з накаткою, повернувши її проти годинникової стрілки; відрегулюйте положення передньої ручки, а потім затягніть гайку з накаткою, повернувши її за годинниковою стрілкою.

► **Рис.7:** 1. Гайка з накаткою 2. Стрілка

ЗБОРКА

▲ ОБЕРЕЖНО: Обов'язково переконайтеся, що прилад вимкнено, а касету з акумулятором знято, перш ніж проводити будь-які роботи з інструментом.

▲ ОБЕРЕЖНО: Для заміни лез секатора завжди надягайте рукавиці, щоб уникнути прямого контакту рук із лезами.

Встановлення та зняття лез секатора

⚠ОБЕРЕЖНО: Установіть кришку перед зняттям чи встановленням ножового полотна.

УВАГА: Не витирайте мастило з зубчатої передачі та кривошипного механізму, коли замінюєте ножове полотно.

ПРИМІТКА: Перед установкою або видаленням лез секатора розкладіть головку інструмента таким чином, щоб вона розташувалася прямо відносно корпусу інструмента.

1. Переверніть інструмент.
2. Відкрутіть 4 гвинти викруток та зніміть ножові полотна.

► **Рис.8:** 1. Гвинт

3. Зніміть важіль із ножового полотна.

► **Рис.9:** 1. Кривошипний механізм

ПРИМІТКА: Важіль може залишатися в інструменті.

4. Підготуйте кривошипний механізм і нові ножові полотна.

► **Рис.10:** 1. Кривошипний механізм 2. Ножове полотно

5. Зніміть чохол леза та встановіть його на нові леза секатора.

6. Змажте краї кривошипного механізму невеликою кількістю мастила. Прикріпіть шайбу, шестерню та кривошипний механізм до штифта по порядку.

► **Рис.11:** 1. Кривошипний механізм 2. Шестерня 3. Шайба 4. Штифт

7. Відрегулюйте кривошипний механізм таким чином, щоб 2 малі отвори на ньому перебували на одній лінії вирівнювання, як показано на рисунку.

► **Рис.12:** 1. Лінія вирівнювання 2. Малий отвір

8. Посуньте ножові полотна так, щоб отвір на напрямній пластині опинився в центрі кілець полотен.

► **Рис.13:** 1. Напрямна пластина

9. Вставте гвинт, витягнутий на кроці 2, в отвір на ножових полотнах крізь отвір на кожусі ножового полотна.

► **Рис.14:** 1. Отвір

10. Прикріпіть ножові полотна до інструмента, а потім затягніть 3 гвинти викруток.

► **Рис.15:** 1. Гвинт

11. Відкрутіть гвинт, вставлений в отвір на ножових полотнах на кроці 9, і затягніть, щоб закріпити ножові полотна.

УВАГА: Якщо ножове полотно не працює відповідним чином, це означає, що його не з'єднано як слід із кривошипним механізмом. Зніміть полотно й установіть його знову.

УВАГА: У разі зношення будь-яких деталей інструмента (крім лез секатора), наприклад кривошипа, зверніться до авторизованого сервісного центру Makita, щоб їх замінити або відремонтувати.

Установлення та зняття уловлювача скалок

Додаткове обладнання

⚠ОБЕРЕЖНО: Під час установки або зняття уловлювача скалок завжди надягайте рукавиці, щоб не торкатися лез руками.

⚠ОБЕРЕЖНО: Перед установленням або зняттям уловлювача скалок прикріпіть кожух ножового полотна.

Уловлювач скалок збирає відкинуте листя разом, що значно полегшує подальше прибирання. Його можна встановлювати на будь-якому боці інструмента.

1. Сумістіть отвори на уловлювачі скалок із гайками на ножовому полотні.

► **Рис.16:** 1. Гайка

2. Закріпіть затискачі уловлювача скалок у канавці на ножовому полотні.

► **Рис.17:** 1. Затискач 2. Канавка

3. Натисніть важелі на уловлювачі скалок, закріпіть затискачі на іншому боці в канавці на ножових полотнах.

► **Рис.18:** 1. Важіль

Щоб зняти уловлювач скалок, натисніть на його важелі, щоб від'єднати затискачі.

► **Рис.19:** 1. Важіль

УВАГА: Ніколи не намагайтеся зняти уловлювач скалок, докладаючи надмірної сили, якщо його затискачі зафіксовано в канавках ножового полотна.

РОБОТА

Експлуатація інструмента

⚠ПОПЕРЕДЖЕННЯ: Не використовуйте інструмент поблизу ліній електропередач. Контакт із лініями електропередач або використання пристрою поблизу них може призвести до важких травм або ураження електричним струмом із летальним результатом.

⚠ПОПЕРЕДЖЕННЯ: Тримайте руки на відстані від лез секатора.

⚠ПОПЕРЕДЖЕННЯ: Будьте надзвичайно обережні й постійно зберігайте контроль над інструментом. Не дозволяйте інструменту відхилитися у ваш бік або в бік інших осіб, що знаходяться поблизу місця роботи. Через втрату контролю над інструментом оператор та інші особи можуть отримати серйозні травми.

⚠ОБЕРЕЖНО: Якнайменше використовуйте інструмент у спекотну погоду. Під час використання інструмента стежте за своїм фізичним станом.

⚠ОБЕРЕЖНО: Будьте обережні: не допускайте випадкового контакту з металом або іншими твердими предметами під час підрізання. Леза секатора можуть зламатися та спричинити травму.

⚠ОБЕРЕЖНО: Уникайте контакту ножового полотна із землею. Інструмент може відскочити та спричинити травму.

⚠ОБЕРЕЖНО: Не дотягуйте до віддалених зон, коли працюєте з пилом, особливо стоячи на драбини: це надзвичайно небезпечно. Під час роботи не стійте на нестійкій або неміцній поверхні.

УВАГА: Не намагайтеся зрізати пилом гілки, товстіші за 10 мм у діаметрі. Перш ніж скористатися цим інструментом, підріжте гілки на 10 см нижче висоти різання за допомогою садових ножиць.

► **Рис.20:** (1) Висота різання (2) 10 см

УВАГА: Не зрізуйте засохлі дерева чи інші подібні тверді предмети. Це може призвести до виходу інструмента з ладу.

УВАГА: Не підрізайте траву чи бур'ян цими лезами секатора. Леза секатора можуть заплутатися в траві чи бур'яні.

Тримайте інструмент двома руками, утримуючи його за передню й задню ручки.

► **Рис.21:** 1. Передня ручка 2. Задня ручка

Натисніть курок вмикача, одночасно утримуючи кнопку розблокування, і перемістіть інструмент уперед.

► **Рис.22**

Для роботи у звичайному режимі нахиліть леза секатора в напрямку різання, плавно й повільно рухайте інструмент в напрямку різання зі швидкістю один метр за 3 – 4 секунди.

► **Рис.23**

Щоб рівномірно підрізати бокову частину живоплоту, підрізуйте в напрямку знизу вгору.

► **Рис.24**

Щоб досягти гарного результату у створенні круглої форми (наприклад, у роботі з самшитом чи рододендромом), підрізуйте в напрямку від коріння до вершини.

► **Рис.25**

Якщо уловлювач скалок приєднано до лез секатора, він збирає відкинуте листя разом, що значно полегшує подальше прибирання.

► **Рис.26**

ТЕХНІЧНЕ ОБСЛУГОВУВАННЯ

⚠ОБЕРЕЖНО: Перед здійсненням перевірки або обслуговування завжди перевіряйте, щоб інструмент був вимкнений, а касета з акумулятором була знята.

⚠ОБЕРЕЖНО: Обов'язково кладіть інструмент на горизонтальну поверхню перед оглядом або технічним обслуговуванням інструмента. Збирання або регулювання інструмента у вертикальному положенні може призвести до важкої травми.

Для забезпечення БЕЗПЕКИ та НАДІЙНОСТІ продукції, її ремонт, а також роботи з обслуговування або регулювання повинні виконуватись уповноваженими або заводськими сервісними центрами Makita із використанням запчастин виробництва компанії Makita.

Очищення інструмента

Щоб очистити інструмент, протріть на ньому пил сухою тканиною або занурте його в мильну воду та вийміть звідти.

УВАГА: Ніколи не використовуйте газолін, бензин, розріджувач, спирт та подібні речовини. Їх використання може призвести до зміни кольору, деформації або появи тріщин.

Технічне обслуговування леза секатора

Перед роботою чи щогодини під час роботи змащуйте леза секатора мастилом із низькою в'язкістю (наприклад, машинне мастило чи змащувальний матеріал, що розпиляється).

► **Рис.27**

Після роботи слід видалити пил з обох боків лез секатора за допомогою дротяної щітки, протерти їх тканиною, після чого нанести мастило з низькою в'язкістю (наприклад, машинне мастило чи змащувальний матеріал, що розпиляється).

► **Рис.28**

УВАГА: Не мийте леза секатора водою. Це може призвести до утворення іржі та пошкодження інструмента.

УВАГА: Бруд і корозія спричиняють надмірне тертя ножового полотна та скорочують час роботи після кожного циклу заряджання акумулятора.

Зберігання

Установіть кришку на ножове полотно так, щоб закрити його. Зберігайте інструмент у недоступному для дітей місці. Зберігайте інструмент у місці, що не зазнає впливу вологи та дощу.

УСУНЕННЯ НЕСПРАВНОСТЕЙ

Перш ніж звертатися з приводу ремонту інструмента, проведіть його перевірку самостійно. У разі виявлення несправності, яку не описано в цьому посібнику, не намагайтеся розібрати інструмент. Натомість зверніться до авторизованих сервісних центрів Makita та використовуйте для ремонту тільки запасні частини виробництва компанії Makita.

Стан відхилення від норми	Можлива причина (несправність)	Спосіб виправлення
Двигун не працює.	Касета з акумулятором не встановлена.	Установіть касету з акумулятором.
	Проблема з акумулятором (знижена напруга)	Зарядіть акумулятор. Якщо зарядження не призвело до бажаного результату, замініть акумулятор.
	Система приводу працює неправильно.	Зверніться до місцевого авторизованого сервісного центру з приводу ремонту.
Двигун зупиняється після короткочасного використання або взагалі не запускається.	Низький рівень заряду акумулятора.	Зарядіть акумулятор. Якщо зарядження не призвело до бажаного результату, замініть акумулятор.
	Перегрів.	Припиніть використовувати інструмент та дозвольте йому охолонути.
Інструмент не досягає максимальної швидкості обертання.	Акумулятор встановлений невірно.	Встановіть касету з акумулятором, як описано в цьому посібнику.
	Заряд акумулятора зменшується.	Зарядіть акумулятор. Якщо зарядження не призвело до бажаного результату, замініть акумулятор.
	Система приводу працює неправильно.	Зверніться до місцевого авторизованого сервісного центру з приводу ремонту.
Леза секатора не рухаються: ⇒ негайно зупиніть інструмент!	Неправильний кут лез секатора.	Переконайтесь у тому, що голівка правильно зафіксована під робочим кутом.
	Сторонні предмети застрягли між лезами секатора.	Вимкніть живлення інструмента й витягніть касету з акумулятором, після чого видаліть гілки або сміття, наприклад, плоскогубцями.
	Система приводу працює неправильно.	Зверніться до місцевого авторизованого сервісного центру з приводу ремонту.
Аномальна вібрація: ⇒ негайно зупиніть інструмент!	Леза секатора зламані, зігнуті або зношені.	Замініть леза секатора.
	Система приводу працює неправильно.	Зверніться до місцевого авторизованого сервісного центру з приводу ремонту.
Леза секатора й мотор не зупиняються: ⇒ Негайно зніміть акумулятор!	Несправність електричної частини.	Зніміть акумулятор та зверніться до місцевого авторизованого сервісного центру з приводу ремонту.

ДОДАТКОВЕ ПРИЛАДДЯ

⚠ОБЕРЕЖНО: Це додаткове та допоміжне обладнання рекомендовано використовувати з інструментом Makita, зазначеним у цій інструкції з експлуатації. Використання будь-якого іншого додаткового та допоміжного обладнання може становити небезпеку травмування. Використовуйте додаткове та допоміжне обладнання лише за призначенням.

У разі необхідності отримати допомогу в більш детальному ознайомленні з оснащенням звертайтеся до місцевого сервісного центру Makita.

- Комплект ножового полотна
- Уловлювач скалок
- Резервуар для мастила
- Оригінальний акумулятор та зарядний пристрій Makita

ПРИМІТКА: Деякі елементи списку можуть входити до комплекту інструмента як стандартне приладдя. Вони можуть відрізнитися залежно від країни.

SPECIFICAȚII

Model:	DUN461W
Lungime lamă	460 mm
Curse pe minut	3.600 min ⁻¹
Unghi lamă de tăiere	135° (sus 60°, jos 75°)
Lungime totală	1.889 - 2.511 mm
Tensiune nominală	18 V cc.
Greutate netă	3,0 - 3,3 kg

- Datorită programului nostru continuu de cercetare și dezvoltare, specificațiile pot fi modificate fără o notificare prealabilă.
- Specificațiile pot varia în funcție de țară.
- Greutatea poate diferi în funcție de accesoriu(ii), inclusiv cartușul acumulatorului. În tabel se prezintă combinația cea mai ușoară și cea mai grea, conform Procedurii EPTA 01/2014.

Cartușul acumulatorului și încărcătorul aplicabile

Cartușul acumulatorului	BL1815N / BL1820B / BL1830B / BL1840B / BL1850B / BL1860B
Încărcător	DC18RC / DC18RD / DC18RE / DC18SD / DC18SE / DC18SF / DC18SH / DC18WC

- Este posibil ca unele cartușe ale acumulatorilor și încărcătoare menționate mai sus să nu fie disponibile în funcție de regiunea dvs. de reședință.

⚠️ AVERTIZARE: Utilizați numai cartușele de acumulator și încărcătoarele enumerate mai sus. Utilizarea oricăror altor cartușe de acumulator și încărcătoare poate duce la rănire și/sau incendiu.

Sursă de alimentare cu conectare prin cablu recomandată

Bloc de alimentare portabil	PDC01
-----------------------------	-------

- Este posibil ca sursa/sursele de alimentare cu conectare prin cablu menționată(e) mai sus să nu fie disponibilă(e) în funcție de regiunea dumneavoastră de reședință.
- Înainte de a utiliza sursa de alimentare cu conectare prin cablu, citiți instrucțiunile și atenționările de pe aceasta.

Simboluri

Mai jos sunt prezentate simbolurile care pot fi utilizate pentru echipament. Asigurați-vă că înțelegeți sensul acestora înainte de utilizare.

	Citiți manualul de utilizare.
	Nu expuneți la umezeală.
	Purtați cască de protecție, ochelari și protecție pentru urechi.
	PERICOL - Țineți mâinile la distanță de lamă.
	Feriți-vă de liniile electrice, pericol de electrocutare.
	Păstrați o distanță de cel puțin 15 m.



Doar pentru țările din cadrul UE
Din cauza prezenței componentelor periculoase în echipament, deșeurile de echipamente electrice și electronice, acumulatorii și bateriile pot avea un efect negativ asupra mediului și sănătății umane.
Nu eliminați aparatele electrice și electronice sau bateriile împreună cu gunoiul menajer!
În conformitate cu Directiva europeană privind deșeurile de echipamente electrice și electronice, acumulatorii, bateriile și deșeurile de acumulatori și baterii, precum și cu adaptarea sa în legislația națională, deșeurile de echipamente electrice, de baterii și de acumulatori trebuie depozitate separat și eliminate la un centru de colectare separat pentru deșeurile municipale, care respectă reglementările privind protecția mediului. Acest lucru este indicat prin simbolul care reprezintă o pubeză cu roți barată cu o cruce, aplicat pe echipament.



Nivel de putere acustică garantat în conformitate cu Directiva UE privind zgomotul emis de echipamentele utilizate în exterior.



Nivel de putere acustică în conformitate cu Regulamentul NSW al Australiei privind atenuarea zgomotului

Destinația de utilizare

Unealta este destinată tunderii gardurilor vii.

Zgomot

Nivelul de zgomot normal ponderat A determinat în conformitate cu EN62841-4-2:

Nivel de presiune acustică (L_{pA}): 74 dB(A)

Marjă de eroare (K): 3 dB(A)

Nivelul de zgomot în timpul funcționării poate depăși 80 dB (A).

NOTĂ: Valoarea (valorile) totală(e) a (ale) emisiilor de zgomot declarate a(u) fost măsurată(e) în conformitate cu o metodă de test standard și poate (pot) fi utilizată(e) pentru compararea unei unelte cu alta.

NOTĂ: Valoarea (valorile) totală(e) a (ale) emisiilor de zgomot declarate poate (pot) fi, de asemenea, utilizată(e) într-o evaluare preliminară a expunerii.

⚠️AVERTIZARE: Purtați echipament de protecție pentru urechi.

⚠️AVERTIZARE: Emisiile de zgomot în timpul utilizării efective a unelei electrice poate diferi de valoarea (valorile) nivelului declarat, în funcție de modul în care unealta este utilizată, în special ce fel de piesă este prelucrată.

⚠️AVERTIZARE: Asigurați-vă că identificați măsurile de siguranță pentru a proteja operatorul, acestea fiind bazate pe o estimare a expunerii în condiții reale de utilizare (luând în considerare toate părțile ciclului de operare, precum timpii în care unealta a fost oprită, sau a funcționat în gol, pe lângă timpul de declanșare).

Vibrații

Standard aplicabil : EN62841-4-2

Partea stângă (Mâner frontal)		Partea dreaptă (Mâner posterior)	
a_h (m/s^2)	Marjă de eroare K (m/s^2)	a_h (m/s^2)	Marjă de eroare K (m/s^2)
2,5 m/s^2 sau mai puțin	1,5	2,5 m/s^2 sau mai puțin	1,5

NOTĂ: Valoarea (valorile) totală(e) a (ale) nivelului de vibrații declarat a (au) fost măsurată(e) în conformitate cu o metodă de test standard și poate (pot) fi utilizată(e) pentru compararea unei unelte cu alta.

NOTĂ: Valoarea (valorile) totală(e) a (ale) nivelului de vibrații declarat poate (pot) fi, de asemenea, utilizată(e) într-o evaluare preliminară a expunerii.

⚠️AVERTIZARE: Nivelul de vibrații în timpul utilizării efective a unelei electrice poate diferi de valoarea (valorile) nivelului declarat, în funcție de modul în care unealta este utilizată, în special ce fel de piesă este prelucrată.

⚠️AVERTIZARE: Asigurați-vă că identificați măsurile de siguranță pentru a proteja operatorul, acestea fiind bazate pe o estimare a expunerii în condiții reale de utilizare (luând în considerare toate părțile ciclului de operare, precum timpii în care unealta a fost oprită, sau a funcționat în gol, pe lângă timpul de declanșare).

Declarație de conformitate CE

Numai pentru țările europene

Declarația de conformitate CE este inclusă ca Anexa A în acest manual de instrucțiuni.

AVERTIZĂRI DE SIGURANȚĂ

Avertismente generale de siguranță pentru mașinile electrice

⚠️AVERTIZARE: Citiți toate avertismentele privind siguranța, instrucțiunile, ilustrațiile și specificațiile furnizate cu această sculă electrică. Nerespectarea integrală a instrucțiunilor de mai jos poate cauza electrocutări, incendii și/sau vătămări corporale grave.

Păstrați toate avertismentele și instrucțiunile pentru consultări ulterioare.

Termenul „mașină electrică” din avertizări se referă la mașinile dumneavoastră electrice acționate de la rețea (prin cablu) sau cu acumulator (fără cablu).

Avertizări de siguranță pentru mașina de tuns gardul viu înalt cu acumulator

- Țineți-vă toate părțile corpului departe de lamă.** Când lamele sunt în mișcare, nu îndepărtați materialul tăiat sau nu țineți materialul care va fi tăiat. Lamele continuă să se miște după oprirea întrerupătorului. Un moment de neatenție în timpul utilizării mașinii de tuns gardul viu poate cauza răni grave.
- Transportați mașina de tuns gardul viu de mâner, cu lama oprită și având grijă să nu acționați niciun comutator de acționare.** Transportarea corectă a mașinii de tuns gardul viu va reduce riscul de pornire accidentală și implicit de vătămare corporală din cauza lamelor.

3. **Când transportați sau depozitați mașina de tuns gardul viu, montați întotdeauna capacul pentru lame.** Manipularea corectă a mașinii de tuns gardul viu va reduce riscul de vătămare corporală din cauza lamelor.
4. **Atunci când îndepărtați materialul blocat în unitate sau efectuați operațiuni de service la aceasta, asigurați-vă că toate comutatoarele de alimentare sunt oprite și că acumulatorul este demontat sau deconectat.** Acționarea pe neașteptate a mașinii de tuns gardul viu în timp ce îndepărtați materialul blocat sau efectuați operațiuni de service poate cauza vătămări corporale grave.
5. **Țineți mașina de tuns gardul viu doar de suprafețele de prindere izolate, deoarece lama poate intra în contact cu fire ascuse.** Contactul lamelor cu un cablu aflat sub tensiune poate pune sub tensiune piesele metalice expuse ale mașinii de tuns gardul viu, conducând la electrocutarea operatorului.
6. **Țineți toate cablurile de alimentare la distanță de zona de tăiere.** Întrucât cablurile de alimentare pot fi ascuse prin gardul viu sau prin tușuri, există riscul ca acestea să fie tăiate din greșeală cu lama.
7. **Nu utilizați mașina de tuns gardul viu în condiții de vreme nefavorabilă, în special când există riscul de descărcări electrice.** Astfel reduceți riscul de a fi lovit de fulger.
8. **Pentru a reduce pericolul de electrocutare, nu utilizați niciodată mașina de tuns gardul viu înalt în apropierea unor linii electrice.** Contactul cu liniile electrice sau utilizarea mașinii în apropierea acestora poate provoca vătămări grave sau moarte prin electrocutare.
9. **Folosiți întotdeauna ambele mâini atunci când utilizați mașina de tuns gardul viu înalt.** Țineți mașina de tuns gardul viu înalt cu ambele mâini pentru a evita pierderea controlului.
10. **Purtați întotdeauna cască de protecție atunci când utilizați mașina de tuns gardul viu înalt mai sus de nivelul capului.** Resturile care cad pot provoca vătămări corporale grave.
4. **În caz de urgență, opriți mașina și scoateți cartușul acumulatorului imediat.**
5. **PERICOL - Țineți mâinile la distanță de lamă.** Contactul cu lama poate cauza vătămări corporale grave.
6. **Cei care utilizează pentru prima dată mașina trebuie să lucreze împreună cu un utilizator cu experiență care să le arate cum să o folosească.**
7. **Înainte de operare, verificați dacă în zona de lucru există garduri de sârmă, pietre sau alte obiecte solide.** Acestea pot deteriora lamele.
8. **Utilizați mașina de tuns gardul viu numai dacă vă aflați într-o stare fizică bună.** Dacă sunteți obosit/ă, atenția vă va fi redusă. Fiți atent/ă, în special la finalul zilei de muncă. Executați fiecare lucrare cu calm și cu atenție. Utilizatorul este responsabil pentru toate distrugerile provocate unor terțe părți.
9. **Înainte de a începe lucrul, verificați mașina de tuns pentru a vă asigura că este în stare bună și sigură de funcționare.** Asigurați-vă că apărătorile sunt montate corect. Mașina de tuns gardul viu nu trebuie utilizată dacă nu este complet asamblată.
10. **Evitați mediile periculoase.** Nu utilizați mașina în locații cu umezeală și nu o expuneți la ploaie. Dacă intră apă în mașină, riscul electrocutării este mai mare.

Echipament individual de protecție

1. **Mănușile de lucru din piele rezistentă sunt componente ale echipamentului de bază al mașinii de tuns gardul viu și trebuie să fie purtate întotdeauna în timpul utilizării acesteia.** De asemenea, purtați încălțăminte rezistentă și cu tălpi antiderapante.
2. **Purtați protecție pentru urechi, precum anti-foane, pentru a preveni pierderea auzului.**
3. **Purtați ochelari de protecție, cască și mănuși de protecție pentru a vă proteja împotriva resturilor proiectate sau a obiectelor căzătoare.**
4. **Când atingeți lamele sau la reglarea unghiului lamei, purtați mănuși de protecție.** Lamele pot cauza tăieturi grave dacă nu purtați mănuși de protecție.

Operarea

1. **Folosiți întotdeauna ambele mâini pentru a manevra mașina.** Dacă o folosiți cu o singură mână, puteți pierde controlul și vă puteți accidenta grav.
2. **În timp ce utilizați mașina, asigurați-vă întotdeauna că poziția de operare este sigură și stabilă.** Este extrem de periculos să vă întindeți cu mașina, în special de pe o scară. Nu lucrați de pe suporturi instabile sau lipsite de fermitate.
3. **Nu purtați în același timp mai multe hamuri cu centură și/sau centuri de umăr când utilizați mașina.**
4. **În timpul operării, țineți mașina la o distanță de cel puțin 15 m de persoanele din jur sau de animale.** Opriți mașina atunci când o persoană se apropie de dumneavoastră.

Instrucțiuni de siguranță suplimentare

Pregătire

1. **ACEASTĂ MAȘINĂ DE TUNS GARDUL VIU POATE CAUZA VĂTĂMĂRI CORPORALE GRAVE.** Citiți cu atenție instrucțiunile pentru manipularea, pregătirea, întreținerea, pornirea și oprirea în mod corect a mașinii. Familiarizați-vă cu toate comenzile și cu utilizarea corectă a mașinii.
2. **Verificați dacă există obiecte străine în gardurile vie și în tușuri, cum ar fi garduri de sârmă sau fire ascuse, înainte de a utiliza mașina.**
3. **Mașina de tuns gardul viu nu trebuie folosită de copii sau adolescenți cu vârstă mai mică de 18 ani.** Adolescenții cu vârstă mai mare de 16 ani pot fi exceptați de la această restricție în cazul în care beneficiază de instrucții sub supravegherea unui expert.

5. Dacă unealta de tăiere se lovește de un obiect sau dacă mașina emite sunete neobișnuite sau vibrează în mod neobișnuit, opriți mașina, scoateți cartușul acumulatorului imediat și așteptați ca mașina să ajungă la punctul de oprire. Apoi, parcurgeți următorii pași:
 - inspecțaiți pentru a detecta eventuale deteriorări;
 - verificați și strângeți eventualele piese slăbite;
 - solicitați înlocuirea sau repararea pieselor deteriorate cu piese de schimb originale.
6. Utilizați mașina numai în scopul prevăzut. Nu utilizați mașina în alte scopuri.
7. Opriți mașina și scoateți cartușul acumulatorului înainte de:
 - curățare sau când eliminați un blocaj;
 - verificare, efectuarea lucrărilor de întreținere sau o intervenție la mașină;
 - reglarea poziției de lucru a lamei de foarfecă;
 - a lăsa mașina nesupravegheată.
8. Înainte de a porni mașina, asigurați-vă că este așezată corect într-o poziție de lucru stabilă.
9. Nu utilizați mașina dacă lamele de foarfecă sunt deteriorate sau foarte uzate.
10. Fiți atenți mereu la ce se întâmplă în jur și la eventualele pericole care ar putea trece neobservate din cauza zgomotului produs de mașină.
11. În timpul utilizării, aveți grijă să nu atingeți accidental un gard metalic sau alte obiecte tari. Lama se va rupe și poate cauza vătămări corporale grave.
12. Evitați pornirea accidentală. Nu transportați mașina când cartușul acumulatorului este instalat și ținând degetul pe întrerupător. Asigurați-vă că întrerupătorul este oprit atunci când instalați cartușul acumulatorului.
13. Nu apucați lamele sau muchiile de tăiere expuse atunci când ridicați sau țineți mașina.
14. Nu forțați mașina. Va funcționa mult mai eficient, iar riscurile de rănire vor fi mult mai reduse, dacă aceasta va opera în condițiile pentru care a fost concepută.
15. Nu utilizați mașina în condiții de ploaie, umiditate sau de umezeală foarte ridicată. Motorul electric nu este etanș la apă.
16. Țineți ferm unealta atunci când o utilizați.
17. Nu acționați unealta în gol în mod inutil.
18. Înainte de a examina lamele de foarfecă, de a remedia defecțiunile sau de a scoate obiectele străine prinse în lamele de foarfecă, opriți întotdeauna mașina și scoateți cartușul acumulatorului.
19. Nu îndreptați niciodată lamele de foarfecă spre dumneavoastră sau spre alte persoane.
20. Dacă lamele se opresc din cauza blocării unor obiecte străine între acestea în timpul funcționării, opriți mașina și scoateți cartușul acumulatorului, iar apoi îndepărtați obiectele străine cu ajutorul unor unelte precum cleștele. Îndepărtarea manuală a obiectelor străine poate cauza accidente deoarece, ca reacție la îndepărtarea obiectelor străine, lamele s-ar putea mișca.

Siguranța electrică și a acumulatorului

1. Evitați mediile periculoase. Nu utilizați mașina în locații cu umezeală și nu o expuneți la ploaie. Dacă intră apă în mașină, riscul electrocutării este mai mare.
2. Nu aruncați acumulatorul(ii) în foc. Elementul poate exploda. Consultați codurile locale pentru posibile instrucțiuni speciale privind eliminarea.
3. Nu deschideți și nu dezmembrați acumulatorul(ii). Electrolitul eliberat este coroziv și poate cauza afecțiuni ale pielii și ochilor. Acesta poate fi toxic dacă este înghițit.
4. Nu încărcați bateria în ploaie sau în zone cu umezeală.
5. Nu încărcați acumulatorul în exterior.
6. Nu manipulați încărcătorul, inclusiv fișa și bornele acestuia, cu mâinile ude.

Întreținere și depozitare

1. Atunci când mașina este oprită pentru operații de service, inspecție sau depozitare, opriți mașina și scoateți cartușul acumulatorului, asigurându-vă că toate piesele aflate în mișcare s-au oprit. Înainte de a efectua eventuale lucrări de inspecție, reglaje etc., lăsați mașina să se răcească.
2. Lăsați întotdeauna mașina să se răcească înainte de a o depozita.
3. Când nu este în uz, atașați capacul pentru lame la mașină și depozitați mașina în interior, într-un loc uscat, la înălțime și încluiat, astfel încât să nu fie la îndemâna copiilor.
4. Întrețineți mașina cu grijă. Păstrați muchia de tăiere ascuțită și curată pentru performanțe optime și pentru reducerea pericolului de rănire. Respectați instrucțiunile de lubrifiere și de schimbare a accesoriilor. Asigurați-vă că mânerul este uscat, curat și fără ulei sau unsoare.
5. Verificați componentele deteriorate. Înainte de a continua utilizarea mașinii, trebuie să verificați cu atenție orice componentă care este deteriorată, pentru a stabili dacă va funcționa în mod corespunzător și își va îndeplini scopul pentru care a fost concepută. Verificați alinierea componentelor mobile, funcționarea liberă a componentelor mobile, starea fizică a componentelor, montarea sau orice altă stare care ar putea afecta operarea acestora. O apăratore sau orice altă componentă care este deteriorată trebuie să fie reparată în mod corespunzător sau înlocuită de către centrul de service autorizat.
6. Utilizați numai piese de schimb originale.
7. Când mutați mașina într-o altă locație, inclusiv în timpul desfășurării activității, îndepărtați întotdeauna cartușul acumulatorului și montați capacul pentru lame peste lamele de foarfecă. Nu transportați niciodată mașina atunci când lamele sunt în funcțiune. Nu apucați niciodată lamele cu mâinile.
8. După utilizare și înainte de a o depozita pentru o perioadă lungă de timp, curățați mașina și, în special, lamele de foarfecă. Ungeți lamele de foarfecă cu puțin ulei și puneți capacul pentru lame.

9. Nu aruncați acumulatorul(ii) în foc. Elementul poate exploda. Consultați codurile locale pentru instrucțiunile corecte de depunere la deșeuri.
10. Nu deschideți și nu dezmembrați acumulatorul(ii). Electrolitul eliberat este coroziv și poate cauza afecțiuni ale pielii și ochilor. Acesta poate fi toxic dacă este înghițit.
11. Nu încărcați bateria în ploaie sau în zone cu umezeală.

PĂSTRAȚI ACESTE INSTRUȚIUNI.

⚠️AVERTIZARE: NU permiteți comodității și familiarizării cu produsul (obținute prin utilizare repetată) să înlocuiască respectarea strictă a normelor de securitate pentru acest produs. FOLOSIREA INCORECTĂ sau nerespectarea normelor de securitate din acest manual de instrucțiuni poate provoca vătămări corporale grave.

Instrucțiuni importante privind siguranța pentru cartușul acumulatorului

1. Înainte de a folosi cartușul acumulatorului, citiți toate instrucțiunile și atenționările de pe (1) încarcătorul acumulatorului, (2) acumulator și (3) produsul care folosește acumulatorul.
2. Nu dezasamblați și nu interveniți asupra cartușului acumulatorului. Acest lucru poate cauza incendii, căldură excesivă sau explozii.
3. Dacă timpul de funcționare s-a redus excesiv, întrerupeți imediat funcționarea. Aceasta poate prezenta risc de supraîncălzire, posibile arsuri și chiar explozie.
4. Dacă electrolitul pătrunde în ochi, clătiți bine ochii cu apă curată și consultați imediat un medic. Există risc de orbire.
5. Nu scurtcircuitați cartușul acumulatorului:
 - (1) Nu atingeți bornele cu niciun material conductor.
 - (2) Evitați depozitarea cartușului acumulatorului la un loc cu alte obiecte metalice cum ar fi cuie, monede etc.
 - (3) Nu expuneți cartușul acumulatorului la apă sau ploaie.

Un scurtcircuit al acumulatorului poate provoca un flux puternic de curent electric, supraîncălzire, posibile arsuri și chiar defectarea mașinii.
6. Nu depozitați și nu utilizați mașina și cartușul acumulatorului în locuri în care temperatura poate atinge sau depăși 50 °C (122 °F).
7. Nu incinerati cartușul acumulatorului chiar dacă acesta este grav deteriorat sau complet uzat. Cartușul acumulatorului poate exploda în foc.
8. Nu introduceți cuie în cartușul acumulatorului, nu îl tăiați, striviți, aruncați sau scăpați și nu îl loviți cu un obiect dur. Astfel de acțiuni pot provoca incendii, căldură excesivă sau explozii.
9. Nu utilizați un acumulator deteriorat.
10. Acumulatorii Li-Ion încorporați se supun cerințelor Legislației privind substanțele periculoase. Pentru transporturi comerciale, efectuate de exemplu de către părți terțe, expeditori, trebuie respectate cerințele speciale de ambalare și etichetare.

- Pentru pregătirea articolului care urmează să fie expedit, este necesară consultarea unui expert în materiale periculoase. Vă rugăm să respectați, de asemenea, reglementările naționale, care pot fi mai detaliate. Izolați sau acoperiți contactele deschise și împachetați acumulatorul în așa fel încât să nu se poată mișca în ambalaj.
11. Atunci când eliminați la deșeuri cartușul acumulatorului, scoateți-l din mașină și eliminați-l într-un loc sigur. Respectați normele naționale privind eliminarea la deșeuri a acumulatorului.
 12. Utilizați acumulatoroarele numai cu produsele specificate de Makita. Instalarea acumulatoroarelor în produse neconforme poate cauza incendii, căldură excesivă, explozii sau scurgeri de electrolit.
 13. Dacă mașina nu este utilizată o perioadă lungă de timp, acumulatorul trebuie scos din acesta.
 14. În timpul utilizării și după aceea, cartușul acumulatorului se poate încălzi, ceea ce poate cauza arsuri sau arsuri la temperaturi scăzute. Fiți atenți la manipularea cartușelor de acumulator atunci când sunt fierbinți.
 15. Nu atingeți borna mașinii imediat după utilizare, întrucât se poate încălzi foarte tare și poate provoca arsuri.
 16. Nu lăsați să pătrundă așchii, praf sau pământ în borne, în orificii și în canelurile cartușului acumulatorului. Acest lucru poate provoca încălzirea, aprinderea, explozia și defectarea mașinii sau a cartușului acumulatorului, cauzând arsuri sau vătămări corporale.
 17. Nu utilizați cartușul acumulatorului în apropierea liniilor electrice de înaltă tensiune, cu excepția cazului în care mașina suportă utilizarea în apropierea liniilor electrice de înaltă tensiune. Acest lucru poate duce la funcționarea necorespunzătoare sau la defectarea mașinii sau a cartușului acumulatorului.
 18. Țineți acumulatorul la distanță de copii.

PĂSTRAȚI ACESTE INSTRUȚIUNI.

⚠️ATENȚIE: Folosiți numai acumulatori Makita originali. Acumulatorii Makita care nu sunt originali și acumulatorii care au suferit modificări se pot aprinde, provocând incendii, leziuni corporale și daune. De asemenea, anulează garanția oferită de Makita pentru unealta și încarcătorul Makita.

Sfaturi pentru obținerea unei durate maxime de exploatare a acumulatorului

1. Încărcați cartușul acumulatorului înainte de a se descărca complet. Întrerupeți întotdeauna funcționarea mașinii și încărcați cartușul acumulatorului când observați o scădere a puterii mașinii.
2. Nu reîncărcați niciodată un acumulator complet încărcat. Supraîncărcarea va scurta durata de exploatare a acumulatorului.
3. Încărcați cartușul acumulatorului la temperatura camerei, între 10 °C - 40 °C (50 °F - 104 °F). Lăsați un acumulator fierbinte să se răcească înainte de a-l încărca.
4. Atunci când nu utilizați cartușul acumulatorului, scoateți-l din mașină sau din încărcător.
5. Încărcați cartușul acumulatorului în cazul în care nu a fost utilizat pe o perioadă mai lungă (mai mult de șase luni).

DESCRIERE COMPONENTE

► Fig.1

1	Cap	2	Buton de reglare a unghiului	3	Pârghie de blocare	4	Piuliță moletată
5	Mâner frontal	6	Mâner posterior	7	Cartușul acumulatorului	8	Buton declanșator
9	Buton de deblocare	10	Lame de foarfecă	-	-	-	-

DESCRIEREA FUNCȚILOR

ATENȚIE: Asigurați-vă întotdeauna că mașina este oprită și cartușul acumulatorului este scos înainte de a ajusta sau verifica funcționarea mașinii.

Instalarea sau scoaterea cartușului acumulatorului

ATENȚIE: Opriți întotdeauna mașina înainte de montarea sau demontarea cartușului de acumulator.

ATENȚIE: Țineți ferm mașina și cartușul acumulatorului la montarea sau demontarea cartușului. În cazul în care nu țineți ferm mașina și cartușul de acumulator, acestea vă pot aluneca din mâini, rezultând defectarea mașinii și cartușului de acumulator, precum și în accidente personale.

► Fig.2: 1. Indicator roșu 2. Buton 3. Cartușul acumulatorului

Pentru a scoate cartușul acumulatorului, glisați-l din mașină în timp ce glisați butonul de pe partea frontală a cartușului.

Pentru a monta cartușul acumulatorului, aliniați limba de pe cartușul acumulatorului cu canelura din carcasă și introduceți-l în locaș. Introduceți-l complet, până când se înclochetează în locaș. Dacă vedeți indicatorul roșu, astfel cum se arată în imagine, acesta nu este blocat complet.

ATENȚIE: Instalați întotdeauna cartușul acumulatorului complet, până când indicatorul roșu nu mai este vizibil. În caz contrar, acesta poate cădea accidental din mașină provocând rănirea dumneavoastră sau a persoanelor din jur.

ATENȚIE: Nu forțați cartușul acumulatorului la montare. Dacă acesta nu se glisează ușor, înseamnă că a fost introdus incorect.

Indicarea capacității rămase a acumulatorului

Numai pentru cartușe de acumulator cu indicator

► Fig.3: 1. Lămpi indicatoare 2. Buton de verificare

Apăsăți butonul de verificare de pe cartușul acumulatorului, astfel încât să se indice capacitățile rămase ale acumulatorului. Lămpile indicatorului vor lumina timp de câteva secunde.

Lămpi indicatoare			Capacitate rămasă
Iluminat	Oprit	Iluminare intermitentă	
■ ■ ■ ■			între 75% și 100%
■ ■ ■ □			între 50% și 75%
■ ■ □ □			între 25% și 50%
■ □ □ □			între 0% și 25%
▬ □ □ □			Încărcați acumulatorul.
■ ■ □ □			Este posibil ca acumulatorul să fie defect.
□ □ ■ ■			

NOTĂ: În funcție de condițiile de utilizare și temperatura ambientală, indicația poate fi ușor diferită de capacitatea reală.

NOTĂ: Prima lampă indicatoare (extremitatea stângă) va lumina intermitent când sistemul de protecție a acumulatorului funcționează.

Sistem de protecție mașină/acumulator

Mașina este prevăzută cu un sistem de protecție mașină/acumulator. Acest sistem întrerupe automat alimentarea motorului pentru a extinde durata de funcționare a mașinii și acumulatorului. Mașina se va opri automat în timpul funcționării dacă mașina sau acumulatorul se află într-una din situațiile următoare:

Protecție la suprasarcină

Când mașina sau acumulatorul este utilizată/utilizat într-un mod care duce la un consum de curent anormal de ridicat, mașina se va opri automat. În această situație, opriți mașina și întrerupeți aplicația care a dus la suprasolicitarea mașinii. Apoi, reporniți mașina.

Protecție la supraîncălzire

Când mașina sau acumulatorul se supraîncălzeste, mașina se oprește automat. În acest caz, lăsați mașina și acumulatorul să se răcească înainte de a reporni mașina.

Protecție la supradescărcare

Când capacitatea acumulatorului scade, unealta se oprește automat. În acest caz, scoateți acumulatorul din mașină și încarcați-l.

Acționarea întrerupătorului

⚠️ AVERTIZARE: Înainte de a introduce cartușul acumulatorului în mașină, verificați întotdeauna dacă butonul declanșator funcționează corect și revine în poziția „OFF” (oprit) când este eliberat.

⚠️ AVERTIZARE: Pentru siguranța dumneavoastră, această unealtă este echipată cu un buton de deblocare care previne pornirea neintenționată a unelei. Nu utilizați niciodată unealta dacă aceasta pornește atunci când apăsați butonul declanșator, fără a apăsa butonul de deblocare. Adresați-vă centrului local de service Makita pentru efectuarea reparațiilor.

⚠️ AVERTIZARE: Nu dezactivați niciodată funcția de blocare sau nu blocați cu bandă adezivă butonul de blocare.

NOTĂ: Nu apăsați cu forță pe butonul declanșator fără a apăsa butonul de deblocare. Comutatorul se poate rupe.

► Fig.4: 1. Buton de deblocare 2. Buton declanșator

Pentru a preveni acționarea accidentală a butonului declanșator, este prevăzut un buton de deblocare. Pentru a porni mașina, apăsați butonul de deblocare și acționați butonul declanșator. Eliberați butonul declanșator pentru a opri unealta. Butonul de deblocare poate fi apăsat fie din partea dreaptă, fie din partea stângă.

Reglarea unghiului de tăiere

⚠️ ATENȚIE: Asigurați-vă întotdeauna că mașina este oprită înainte de a plia sau deplia capul.

⚠️ ATENȚIE: Atunci când pliați capul pentru a transporta mașina sau după ce utilizați mașina, aveți grijă să atașați capacul pentru lame înainte de a plia capul.

⚠️ ATENȚIE: Atunci când pliați capul, aveți grijă să nu vă prindeți degetele între capul și corpul mașinii.

Unghiul capului poate fi reglat în 10 pași. Pentru a modifica unghiul capului, urmați pașii de mai jos.

1. Țineți capul și corpul mașinii după cum se vede în figură.
► Fig.5: 1. Cap 2. Buton de reglare a unghiului

2. Reglați unghiul capului în timp ce țineți apăsat butonul de reglare a unghiului și apoi eliberați butonul de reglare a unghiului.

3. Deplasați ușor capul până când se blochează cu un clic.

NOTĂ: Înainte de a utiliza mașina, asigurați-vă că ați fixat bine capul.

Reglarea lungimii țevii

⚠️ ATENȚIE: Înainte de a regla lungimea țevii, asigurați-vă întotdeauna că mașina este oprită.

⚠️ ATENȚIE: Când reglați lungimea țevii, asigurați-vă că ați atașat capacul lamei înainte de a regla lungimea țevii.

⚠️ ATENȚIE: În timpul reglării lungimii țevii, asigurați-vă că nu vă prindeți degetele.

⚠️ ATENȚIE: Asigurați-vă că pârghia de blocare este bine fixată.

⚠️ ATENȚIE: Când reglați lungimea țevii, așezați mașina pe o parte. Dacă țineți mașina în poziție verticală, capul va coborî brusc, ceea ce poate provoca vătămări corporale.

Slăbiți pârghia de blocare, apoi reglați lungimea țevii și apoi blocați pârghia de blocare.

► Fig.6: 1. Pârghie de blocare

Reglarea poziției mânerului frontal

⚠️ ATENȚIE: Înainte de a regla poziția mânerului frontal, asigurați-vă întotdeauna că mașina este oprită.

⚠️ ATENȚIE: În timpul reglării poziției mânerului frontal, asigurați-vă că nu vă prindeți degetele.

⚠️ ATENȚIE: Asigurați-vă că piulița molețată este strânsă bine.

⚠️ ATENȚIE: Nu deplasați mânerul frontal dincolo de marcajul săgeată.

Pentru a regla poziția mânerului frontal, slăbiți piulița molețată rotind-o înspre stânga, apoi reglați poziția mânerului frontal și strângeți piulița molețată rotind-o înspre dreapta.

► Fig.7: 1. Piulița molețată 2. Marcaj săgeată

ASAMBLARE

⚠️ ATENȚIE: Asigurați-vă întotdeauna că mașina este oprită și cartușul acumulatorului este scos înainte de a executa orice lucrări la mașină.

⚠️ ATENȚIE: Atunci când înlocuiți lamele de foarfecă, purtați întotdeauna mănuși, astfel încât mâinile și fața dvs. să nu intre în contact direct cu lamele.

Montarea sau demontarea lamelor de foarfecă

⚠️ ATENȚIE: Atașați capacul pentru lame înainte de a demonta sau monta lamele de foarfecă.

NOTĂ: La înlocuirea lamelor de foarfecă, nu ștergeți unsoarea de pe angrenaj și de pe pârghie.

NOTĂ: Înainte de a instala sau a demonta lamele de foarfecă, depliați capul mașinii astfel încât capul să fie drept pe corpul sculei.

1. Așezați unealta cu susul în jos.
2. Scoateți 4 șuruburi utilizând o șurubelniță și demontați lamele de foarfecă.
► **Fig.8:** 1. Șurub
3. Demontați pârghia de la lamele de foarfecă.
► **Fig.9:** 1. Pârghie

NOTĂ: Pârghia poate rămâne în unealtă.

4. Pregătiți pârghia și lamele de foarfecă noi.
► **Fig.10:** 1. Pârghie 2. Lame de foarfecă
5. Scoateți capacul pentru lame, apoi atașați-l la noile lame de foarfecă.
6. Aplicați o cantitate mică de unsoare în zona periferică a pârghiei. Atașați șaiba, angrenajul și pârghia la știft, în această ordine.
► **Fig.11:** 1. Pârghie 2. Angrenaj 3. Șaibă 4. Știft
7. Reglați pârghia astfel încât cele 2 orificii de dimensiuni mici de pe pârghie să fie aliniate pe linia de aliniere, astfel cum se arată în figură.
► **Fig.12:** 1. Linie de aliniere 2. Orificiu de dimensiuni mici
8. Glisați lamele de foarfecă astfel încât orificiul plăcii de ghidare să fie poziționat în centrul inelelor lamelor.
► **Fig.13:** 1. Placă de ghidare
9. Introduceți șurubul scos la pasul 2 în orificiul de pe lamele de foarfecă prin orificiul de pe capacul lamei.
► **Fig.14:** 1. Orificiu
10. Atașați lamele de foarfecă la mașină și apoi strângeți 3 șuruburi cu șurubelnița.
► **Fig.15:** 1. Șurub
11. Scoateți șurubul introdus în orificiul de pe lamele de foarfecă la pasul 9 și apoi strângeți-l pentru a fixa lamele de foarfecă.

NOTĂ: Dacă lamele de foarfecă nu funcționează corect, lamele nu angrenează pârghia în mod corespunzător. Scoateți lamele și remontați-le.

NOTĂ: Dacă alte piese, cu excepția lamelor de foarfecă, cum ar fi pârghia, se uzează, solicitați-centrelor de service autorizate Makita înlocuirea pieselor sau efectuarea de reparații.

Montarea sau demontarea recipientului de resturi

Accesorii opționale

ATENȚIE: Atunci când montați sau demontați recipientul de resturi, purtați întotdeauna mănuși, astfel încât mâinile și fața dvs. să nu intre în contact direct cu lamele de foarfecă.

ATENȚIE: Atașați capacul lamei înainte de a monta sau de a demonta recipientul de resturi.

Recipientul de resturi colectează frunzele eliminate și facilitează curățarea ulterioară. Acesta poate fi instalat pe oricare latură a unelei.

1. Aliniați orificiile de pe recipientul de resturi cu piulițele de pe lamele de foarfecă.
► **Fig.16:** 1. Piuliță

2. Cuplați clichetele recipientului de resturi la canelura de pe lamele de foarfecă.
► **Fig.17:** 1. Clichet 2. Canelură
3. Apăsăți pârghiile de pe recipientul de resturi și apoi cuplați clichetele pe cealaltă parte a canelurii de pe lamele de foarfecă.
► **Fig.18:** 1. Pârghie

Pentru a scoate recipientul de resturi, apăsați pârghiile astfel încât să se deblocheze clichetele.

- **Fig.19:** 1. Pârghie

NOTĂ: Nu încercați niciodată să scoateți recipientul de resturi atunci când clichetele acestuia sunt blocate în canelurile lamelor de foarfecă, aplicând o forță excesivă.

OPERAREA

Utilizarea mașinii

AVERTIZARE: Nu folosiți mașina în apropierea unor linii electrice. Contactul cu liniile electrice sau utilizarea mașinii în apropierea acestora poate provoca vătămări grave sau moarte prin electrocutare.

AVERTIZARE: Țineți mâinile la distanță de lamele de foarfecă.

AVERTIZARE: Fiți foarte atenți pentru a menține controlul mașinii în orice moment. Nu lăsați mașina să fie deviată spre dumneavoastră sau orice altă persoană din apropierea zonei de lucru. Scăparea de sub control a mașinii poate duce la accidente grave ale operatorului și persoanelor din jur.

ATENȚIE: Pe cât posibil, evitați operarea unelei în condiții de temperatură foarte ridicată. La operarea unelei, țineți cont de condiția dumneavoastră fizică.

ATENȚIE: În timpul tunderii, aveți grijă să nu atingeți accidental un gard metalic sau alte obiecte tari. Lamele de foarfecă se pot rupe și pot produce răni.

ATENȚIE: Aveți grijă să nu lăsați lamele de foarfecă să intre în contact cu solul. Unealta poate recula, cauzând răni.

ATENȚIE: Întinderea cu o mașină de tuns gardul viu, în special de pe o scară, este extrem de periculoasă. Nu lucrați în timp ce stați pe suporturi instabile sau lipsite de fermitate.

NOTĂ: Nu încercați să tăiați ramuri mai groase de 10 mm cu mașina. Înainte de a utiliza mașina, tăiați crengile la o înălțime cu 10 cm mai mică decât înălțimea de tăiere utilizând un cuțit de crengi.

- **Fig.20:** (1) Înălțime de tăiere (2) 10 cm

NOTĂ: Nu tăiați copaci uscați sau alte obiecte similare dure. Această acțiune poate deteriora unealta.

NOTĂ: Nu tundeți iarba sau buruienile utilizând lamele de foarfecă. Lamele de foarfecă se pot încălci în iarba sau în buruieni.

Țineți mașina cu ambele mâini, apucând mânerul frontal și mânerul posterior.

► Fig.21: 1. Mâner frontal 2. Mâner posterior

Trageți butonul declanșator apăsând în același timp butonul de deblocare, apoi deplasați mașina în față.

► Fig.22

Ca operație de bază, înclinați lamele de foarfecă spre direcția de tundere și deplasați-le calm și lent la o viteză nominală de 3 – 4 secunde pe metru.

► Fig.23

Pentru a tunde uniform o față a gardului viu, tăiați de jos în sus.

► Fig.24

Când tundeți în scopul de a crea o formă rotunjită (tunderea speciilor de Buxus sau Rododendron etc.), tundeți de la rădăcină spre partea superioară, pentru a obține un finisaj aspectuos.

► Fig.25

Dacă recipientul de resturi este atașat la lamele de foarfecă, acesta colectează frunzele eliminate și facilitează curățarea ulterioară.

► Fig.26

ÎNȚREȚINERE

⚠ATENȚIE: Asigurați-vă întotdeauna că mașina este oprită și cartușul acumulatorului scos înainte de a executa lucrările de inspecție și întreținere.

⚠ATENȚIE: La inspectarea sau întreținerea mașinii, așezați întotdeauna mașina jos.

Asamblarea sau reglarea mașinii într-o poziție verticală poate duce la răniri grave.

Pentru a menține SIGURANȚA și FIABILITATEA produsului, reparațiile și orice alte lucrări de întreținere sau reglare trebuie executate de centre de service Makita autorizate sau proprii, folosind întotdeauna piese de schimb Makita.

Curățarea unelei

Curățați unealta ștergând praful cu o lavetă uscată și cu o lavetă umezită cu apă cu săpun și stoarsă.

NOTĂ: Nu utilizați niciodată gazolină, benzină, diluant, alcool sau alte substanțe asemănătoare. În caz contrar, pot rezulta decolorări, deformări sau fisuri.

Întreținerea lamelor de foarfecă

Înainte de utilizare, sau o dată pe oră în timpul operării, aplicați ulei cu vâscozitate redusă (ulei de mașină sau ulei de lubrifiere cu aplicare prin pulverizare) pe lamele de foarfecă.

► Fig.27

După utilizare, eliminați praful de pe ambele părți ale lamelor de foarfecă cu o perie din sârmă, ștergeți-le cu o lavetă și apoi aplicați ulei cu vâscozitate redusă (ulei de mașină sau ulei de lubrifiere cu aplicare prin pulverizare) pe lamele de foarfecă.

► Fig.28

NOTĂ: Nu spălați lamele de foarfecă în apă. În caz contrar, unealta poate fi deteriorată sau poate rugini.

NOTĂ: Murdăria și coroziunea pot cauza o fricțiune excesivă a lamei și pot scurta timpul de operare între încărcările acumulatorului.

Depozitare

Atașați capacul pentru lame pe lamele de foarfecă, astfel încât lamele să nu fie expuse. Depozitați unealta departe de raza de acțiune a copiilor. Depozitați unealta într-un loc care nu este expus la umezeală sau ploaie.

DEPANARE

Înainte de a solicita reparații, efectuați mai întâi propria inspecție. În cazul în care găsiți o problemă care nu este explicată în manual, nu încercați să demontați echipamentul. În schimb, adresați-vă Centrelor de service autorizate Makita, utilizând întotdeauna piese de schimb Makita pentru reparații.

Stare de anomalitate	Cauză probabilă (defecțiune)	Remediu
Motorul nu operează.	Cartușul acumulatorului nu este montat.	Montați cartușul acumulatorului.
	Problemă cu acumulatorul (tensiune scăzută)	Reîncărcați acumulatorul. Dacă reîncărcarea nu este eficientă, înlocuiți acumulatorul.
	Sistemul de acționare nu funcționează corect.	Solicitați centrului de service autorizat local efectuarea reparațiilor.
Motorul se oprește din funcționare după puțin timp sau motorul nu funcționează.	Nivelul de încărcare al acumulatorului este redus.	Reîncărcați acumulatorul. Dacă reîncărcarea nu este eficientă, înlocuiți acumulatorul.
	Supraîncălzire.	Opriti utilizarea uneltei și lăsați-o să se răcească.
Mașina nu atinge turația maximă (RPM).	Acumulatorul este instalat necorespunzător.	Montați cartușul de acumulator în modul descris în acest manual.
	Puterea acumulatorului se reduce.	Reîncărcați acumulatorul. Dacă reîncărcarea nu este eficientă, înlocuiți acumulatorul.
	Sistemul de acționare nu funcționează corect.	Solicitați centrului de service autorizat local efectuarea reparațiilor.
Lamele de foarfecă nu se mișcă: ⇒ opriti imediat mașina!	Unghi incorect al lamelor de foarfecă.	Asigurați-vă că ați fixat capul în mod corespunzător în unghiul operațional.
	Obiecte străine sunt prinse între lamele de foarfecă.	Opriti mașina și scoateți cartușul acumulatorului, apoi îndepărtați obiectele străine cu ajutorul unor unelte precum cleștii.
	Sistemul de acționare nu funcționează corect.	Solicitați centrului de service autorizat local efectuarea reparațiilor.
Vibrații anormale: ⇒ opriti imediat mașina!	Lamele de foarfecă sunt rupte, îndoite sau uzate.	Înlocuiți lamele de foarfecă.
	Sistemul de acționare nu funcționează corect.	Solicitați centrului de service autorizat local efectuarea reparațiilor.
Lamele de foarfecă și motorul nu se opresc: ⇒ Scoateți imediat acumulatorul!	Defecțiune electrică.	Scoateți acumulatorul și solicitați reparații din partea centrului de service autorizat local.

ACCESORII OPȚIONALE

⚠ATENȚIE: Folosiți accesoriile sau piesele auxiliare recomandate pentru mașina dumneavoastră Makita în acest manual. Utilizarea oricăror alte accesorii sau piese auxiliare poate prezenta risc de vătămare corporală. Utilizați accesorii și piesele auxiliare numai în scopul destinat.

Dacă aveți nevoie de asistență sau de mai multe detalii referitoare la aceste accesorii, adresați-vă centrului local de service Makita.

- Ansamblu lame de foarfecă
- Recipient de resturi
- Recipient cu unsoare
- Acumulator și încărcător original Makita

NOTĂ: Unele articole din listă pot fi incluse ca accesorii standard în ambalajul de scule. Acestea pot diferi în funcție de țară.

TECHNISCHE DATEN

Modell:	DUN461W
Messerlänge	460 mm
Hubzahl pro Minute	3.600 min ⁻¹
Schneidblattwinkel	135° (aufwärts 60°, abwärts 75°)
Gesamtlänge	1.889 - 2.511 mm
Nennspannung	18 V Gleichstrom
Nettogewicht	3,0 - 3,3 kg

- Wir behalten uns vor, Änderungen der technischen Daten im Zuge der Entwicklung und des technischen Fortschritts ohne vorherige Ankündigung vorzunehmen.
- Die technischen Daten können von Land zu Land unterschiedlich sein.
- Das Gewicht kann abhängig von dem Aufsatz (den Aufsätzen), einschließlich des Akkus, unterschiedlich sein. Die leichteste und die schwerste Kombination, gemäß dem EPTA-Verfahren 01/2014, sind in der Tabelle angegeben.

Zutreffende Akkus und Ladegeräte

Akku	BL1815N / BL1820B / BL1830B / BL1840B / BL1850B / BL1860B
Ladegerät	DC18RC / DC18RD / DC18RE / DC18SD / DC18SE / DC18SF / DC18SH / DC18WC

- Einige der oben aufgelisteten Akkus und Ladegeräte sind je nach Ihrem Wohngebiet eventuell nicht erhältlich.

⚠️ WARNUNG: Verwenden Sie nur die oben aufgeführten Akkus und Ladegeräte. Bei Verwendung irgendwelcher anderer Akkus und Ladegeräte besteht Verletzungs- und/oder Brandgefahr.

Empfohlene kabelgebundene Stromquelle

Rückentragbare Akku-Bank	PDC01
--------------------------	-------

- Die oben aufgelisteten kabelgebundenen Stromquellen sind je nach Ihrem Wohngebiet eventuell nicht erhältlich.
- Lesen Sie vor Gebrauch der kabelgebundenen Stromquelle die daran angebrachten Anweisungen und Warnmarkierungen durch.

Symbole

Nachfolgend werden Symbole beschrieben, die für das Gerät verwendet werden können. Machen Sie sich unbedingt vor der Benutzung mit ihrer Bedeutung vertraut.

	Betriebsanleitung lesen.
	Keiner Feuchtigkeit aussetzen.
	Helm, Schutzbrille und Gehörschutz tragen.
	GEFAHR- Halten Sie Ihre Hände vom Messer fern.
	Vorsicht vor elektrischen Leitungen-Stromschlaggefahr.
	Mindestens 15 m Abstand halten.



Nur für EU-Länder
Aufgrund des Vorhandenseins gefährlicher Komponenten in der Ausrüstung können Elektro- und Elektronik-Altgeräte, Akkumulatoren und Batterien sich negativ auf die Umwelt und die menschliche Gesundheit auswirken.
Entsorgen Sie Elektro- und Elektronikgeräte oder Batterien nicht mit dem Hausmüll!
In Übereinstimmung mit der Europäischen Richtlinie über Elektro- und Elektronik-Altgeräte, Akkumulatoren und Batterien, verbrauchte Akkumulatoren und Batterien sowie ihrer Anpassung an nationales Recht sollten Elektro-Altgeräte, Batterien und Akkumulatoren gemäß den Umweltschutzbestimmungen getrennt gelagert und zu einer getrennten Sammelstelle für Siedlungsabfälle geliefert werden.
Dies wird durch das am Gerät angebrachte Symbol der durchgestrichenen Abfalltonne auf Rädern angezeigt.



Garantierter Schalleistungspegel gemäß der EU-Richtlinie über Außenlärm.



Schalleistungspegel gemäß der australischen NSW-Lärmschutzverordnung

Vorgesehene Verwendung

Das Werkzeug ist zum Trimmen von Hecken vorgesehen.

Geräusch

Typischer A-bewerteter Geräuschpegel ermittelt gemäß EN62841-4-2:

Schalldruckpegel (L_{pA}): 74 dB (A)

Messunsicherheit (K): 3 dB (A)

Der Geräuschpegel kann während des Betriebs 80 dB (A) überschreiten.

HINWEIS: Der (Die) angegebene(n) Schallemissionswert(e) wurde(n) im Einklang mit der Standardprüfmethode gemessen und kann (können) für den Vergleich zwischen Werkzeugen herangezogen werden.

HINWEIS: Der (Die) angegebene(n) Schallemissionswert(e) kann (können) auch für eine Vorbewertung des Gefährdungsgrads verwendet werden.

⚠️ WARNUNG: Einen Gehörschutz tragen.

⚠️ WARNUNG: Die Schallemission während der tatsächlichen Benutzung des Elektrowerkzeugs kann je nach der Benutzungsweise des Werkzeugs, und speziell je nach der Art des bearbeiteten Werkstücks, von dem (den) angegebenen Wert(en) abweichen.

⚠️ WARNUNG: Identifizieren Sie Sicherheitsmaßnahmen zum Schutz des Benutzers anhand einer Schätzung des Gefährdungsgrads unter den tatsächlichen Benutzungsbedingungen (unter Berücksichtigung aller Phasen des Arbeitszyklus, wie z. B. Ausschalt- und Leerlaufzeiten des Werkzeugs zusätzlich zur Betriebszeit).

Schwingungen

Zutreffender Standard : EN62841-4-2

Linke Hand (vorderer Handgriff)		Rechte Hand (hinterer Handgriff)	
a_h (m/s^2)	Messunsicherheit K (m/s^2)	a_h (m/s^2)	Messunsicherheit K (m/s^2)
2,5 m/s^2 oder weniger	1,5	2,5 m/s^2 oder weniger	1,5

HINWEIS: Der (Die) angegebene(n) Vibrationsgesamtwert(e) wurde(n) im Einklang mit der Standardprüfmethode gemessen und kann (können) für den Vergleich zwischen Werkzeugen herangezogen werden.

HINWEIS: Der (Die) angegebene(n) Vibrationsgesamtwert(e) kann (können) auch für eine Vorbewertung des Gefährdungsgrads verwendet werden.

⚠️ WARNUNG: Die Vibrationsemission während der tatsächlichen Benutzung des Elektrowerkzeugs kann je nach der Benutzungsweise des Werkzeugs, und speziell je nach der Art des bearbeiteten Werkstücks, von dem (den) angegebenen Emissionswert(en) abweichen.

⚠️ WARNUNG: Identifizieren Sie Sicherheitsmaßnahmen zum Schutz des Benutzers anhand einer Schätzung des Gefährdungsgrads unter den tatsächlichen Benutzungsbedingungen (unter Berücksichtigung aller Phasen des Arbeitszyklus, wie z. B. Ausschalt- und Leerlaufzeiten des Werkzeugs zusätzlich zur Betriebszeit).

EG-Konformitätserklärung

Nur für europäische Länder

Die EG-Konformitätserklärung ist als Anhang A in dieser Bedienungsanleitung enthalten.

SICHERHEITSWARNUNGEN

Allgemeine Sicherheitswarnungen für Elektrowerkzeuge

⚠️ WARNUNG: Lesen Sie alle mit diesem Elektrowerkzeug gelieferten Sicherheitswarnungen, Anweisungen, Abbildungen und technischen Daten durch. Eine Missachtung der unten aufgeführten Anweisungen kann zu einem elektrischen Schlag, Brand und/oder schweren Verletzungen führen.

Bewahren Sie alle Warnungen und Anweisungen für spätere Bezugnahme auf.

Der Ausdruck „Elektrowerkzeug“ in den Warnhinweisen bezieht sich auf Ihr mit Netzstrom (mit Kabel) oder Akku (ohne Kabel) betriebenes Elektrowerkzeug.

Sicherheitswarnungen für Akku-Heckenschneider

1. Halten Sie alle Körperteile vom Messer fern. Versuchen Sie nicht, abgeschnittenes Material zu entfernen oder zu schneidendes Material zu halten, während die Messer sich bewegen. Die Messer bewegen sich nach dem Ausschalten des Schalters noch weiter. Ein Augenblick der Unachtsamkeit während der Benutzung der Heckenschere kann zu schweren Personenschäden führen.

2. **Tragen Sie die Heckenschere bei still stehendem Messer am Handgriff, und achten Sie darauf, keinen Ein-Aus-Schalter zu betätigen.** Sachgemäßes Tragen der Heckenschere verringert die Gefahr von versehentlichem Starten und daraus resultierenden Personenschäden durch die Messer.
3. **Bringen Sie beim Transportieren oder Lagern der Heckenschere immer die Messerabdeckung an.** Sachgemäße Handhabung der Heckenschere verringert die Gefahr von Personenschäden durch die Messer.
4. **Vergewissern Sie sich vor dem Beseitigen von eingeklemmtem Material oder dem Warten des Gerätes, dass alle Ein-Aus-Schalter ausgeschaltet sind und der Akku abgenommen oder abgetrennt ist.** Unerwartete Betätigung der Heckenschere beim Beseitigen von eingeklemmtem Material oder Warten kann zu schweren Personenschäden führen.
5. **Halten Sie den Heckenschneider nur an den isolierten Griffflächen, wenn die Gefahr besteht, dass das Messer verborgene Kabel kontaktiert.** Bei Kontakt der Messer mit einem Strom führenden Kabel können die freiliegenden Metallteile der Heckenschere ebenfalls Strom führend werden, so dass der Benutzer einen elektrischen Schlag erleiden kann.
6. **Halten Sie alle Netzkabel und Kabel vom Schneidbereich fern.** Netzkabel oder Kabel können in Hecken oder Büschen verborgen sein und versehentlich durch das Messer abgeschnitten werden.
7. **Benutzen Sie die Heckenschere nicht bei schlechten Witterungsverhältnissen, besonders bei Blitzschlaggefahr.** Dadurch wird die Blitzschlaggefahr verringert.
8. **Um die Stromschlaggefahr zu verringern, benutzen Sie die Stabheckenschere niemals in der Nähe von Starkstromleitungen.** Bei Kontakt mit oder Benutzung in der Nähe von Starkstromleitungen besteht die Gefahr einer schweren Verletzung oder eines elektrischen Schlags, die zum Tod führen können.
9. **Halten Sie die Stabheckenschere während des Betriebs immer mit zwei Händen.** Halten Sie die Stabheckenschere mit beiden Händen, um Verlust der Kontrolle zu vermeiden.
10. **Tragen Sie stets einen Kopfschutz, wenn Sie die Stabheckenschere über Kopf betreiben.** Herunterfallende Fremdkörper können zu schweren Personenschäden führen.
3. **Die Heckenschere darf nicht von Kindern oder Jugendlichen unter 18 Jahren benutzt werden.** Jugendliche über 16 Jahre können von dieser Einschränkung ausgenommen werden, wenn sie eine Schulung unter der Aufsicht eines Fachmanns durchmachen.
4. **Schalten Sie das Werkzeug in einem Notfall sofort aus, und entfernen Sie den Akku.**
5. **GEFAHR - Halten Sie Ihre Hände vom Messer fern.** Kontakt mit dem Messer führt zu ernsthaften Personenschäden.
6. **Anfänger sollten sich von einem erfahrenen Benutzer im Gebrauch des Werkzeugs unterweisen lassen.**
7. **Untersuchen Sie den Arbeitsbereich vor Arbeitsbeginn auf Drahtzäune, Steine oder andere feste Objekte.** Diese können eine Beschädigung der Messer verursachen.
8. **Benutzen Sie die Heckenschere nur, wenn Sie sich in guter körperlicher Verfassung befinden.** Ermüdung führt zu verminderter Aufmerksamkeit. Besonders hohe Aufmerksamkeit ist am Ende eines Arbeitstages erforderlich. Führen Sie alle Arbeiten ruhig und sorgfältig durch. Der Benutzer ist für alle Schäden an Dritten verantwortlich.
9. **Bevor Sie mit der Arbeit beginnen, vergewissern Sie sich, dass die Schere in gutem und sicherem Arbeitszustand ist.** Vergewissern Sie sich, dass Schutzhauben ordnungsgemäß angebracht sind. Die Heckenschere darf nur in vollständig montiertem Zustand benutzt werden.
10. **Vermeiden Sie gefährliche Umgebungen.** Benutzen Sie das Werkzeug nicht an feuchten oder nassen Orten, und setzen Sie es auch keinem Regen aus. Wasser, das in das Werkzeug eindringt, erhöht die Stromschlaggefahr.

Persönliche Schutzausrüstung

1. **Arbeitshandschuhe aus robustem Leder sind Teil der Grundausrüstung der Heckenschere und müssen bei der Arbeit immer getragen werden.** Tragen Sie auch robuste Schuhe mit rutschfesten Sohlen.
2. **Tragen Sie einen Gehörschutz, wie z. B. Ohrenschützer, um eine Gehörschädigung zu verhindern.**
3. **Tragen Sie eine Schutzbrille, einen Schutzhelm und Schutzhandschuhe, um sich vor zersplitterndem Unrat oder fallenden Gegenständen zu schützen.**
4. **Tragen Sie Schutzhandschuhe, wenn Sie die Messer berühren oder den Messerwinkel einstellen müssen.** Die Messer können schwere Verletzungen an bloßen Händen verursachen.

Betrieb

Zusätzliche Sicherheitsanweisungen

Vorbereitung

1. **DIESE HECKENSCHERE KANN SCHWERE VERLETZUNGEN VERURSACHEN.** Lesen Sie die Anweisungen sorgfältig durch, um mehr über korrekte Handhabung, Vorbereitung, Wartung, Starten und Stoppen des Werkzeugs zu erfahren. Machen Sie sich mit allen Bedienelementen und dem korrekten Gebrauch des Werkzeugs vertraut.
2. **Überprüfen Sie die Hecken und Büsche auf Fremdkörper, wie z. B. Drahtzäune oder verborgene Kabel, bevor Sie das Werkzeug betreiben.**

1. **Benutzen Sie stets beide Hände zum Betätigen des Werkzeugs.** Betrieb mit nur einer Hand könnte einen Verlust der Kontrolle verursachen und zu schweren Personenschäden führen.
2. **Vergewissern Sie sich während des Betriebs des Werkzeugs stets, dass die Betriebsposition sicher ist.** Strecken Sie sich mit dem Werkzeug, besonders auf einer Leiter, nicht zu weit vor, da dies äußerst gefährlich ist. Arbeiten Sie nicht auf einer wackligen oder instabilen Unterlage.

3. Tragen Sie beim Arbeiten mit dem Werkzeug nicht mehrere Tragegurte und/oder Schultergurte gleichzeitig.
 4. Halten Sie Umstehende oder Tiere während der Arbeit mindestens 15 m vom Werkzeug entfernt. Halten Sie das Werkzeug an, sobald jemand sich nähert.
 5. Falls das Schneidwerkzeug auf ein Objekt trifft oder das Werkzeug ungewöhnliche Geräusche oder Vibrationen erzeugt, schalten Sie das Werkzeug sofort aus, nehmen Sie den Akku ab, und lassen Sie das Werkzeug zum Stillstand kommen. Gehen Sie dann folgendermaßen vor:
 - auf Beschädigung überprüfen
 - prüfen, ob lose Teile vorhanden sind, und diese festziehen
 - beschädigte Teile durch Original-Ersatzteile ersetzen oder reparieren lassen.
 6. Benutzen Sie das Werkzeug nur für seinen vorgesehenen Zweck. Benutzen Sie das Werkzeug nicht für andere Zwecke.
 7. Schalten Sie das Werkzeug aus, und nehmen Sie den Akku ab, bevor Sie:
 - das Werkzeug reinigen oder eine Blockierung beseitigen,
 - Überprüfungen, Wartungsarbeiten oder sonstige Arbeiten am Werkzeug ausführen,
 - die Arbeitsposition der Schermesser einstellen,
 - das Werkzeug unbeaufsichtigt lassen.
 8. Stellen Sie vor dem Starten des Werkzeugs sicher, dass sich das Werkzeug korrekt in einer bestimmten Arbeitsposition befindet.
 9. Betreiben Sie das Werkzeug nicht mit beschädigten oder übermäßig abgenutzten Schermessern.
 10. Beachten Sie stets Ihre Umgebung, und bleiben Sie wachsam für mögliche Gefahren, deren Sie sich aufgrund des Geräuschs des Werkzeugs möglicherweise nicht bewusst sind.
 11. Lassen Sie während des Betriebs Vorsicht walten, damit die Messer nicht versehentlich einen Metallzaun oder andere harte Gegenstände berühren. Anderenfalls können die Messer brechen und schwere Verletzungen verursachen.
 12. Vermeiden Sie unbeabsichtigtes Einschalten. Tragen Sie das Werkzeug nicht bei angebrachtem Akku und mit dem Finger am Schalter. Vergewissern Sie sich beim Anbringen des Akkus, dass der Schalter ausgeschaltet ist.
 13. Fassen Sie nicht die freiliegenden Schneidmesser oder die Schneidkanten an, wenn Sie das Werkzeug aufheben oder halten.
 14. Üben Sie keinen übermäßigen Druck auf das Werkzeug aus. Bei der Belastung, für die es ausgelegt wurde, verrichtet das Werkzeug die Arbeit besser und mit geringerer Wahrscheinlichkeit von Verletzungsgefahr.
 15. Benutzen Sie das Werkzeug nicht bei Regen oder unter nassen oder sehr feuchten Bedingungen. Der Elektromotor ist nicht wasserdicht.
 16. Halten Sie das Werkzeug während der Benutzung mit festem Griff.
 17. Lassen Sie das Werkzeug nicht unnötig im Leerlauf laufen.
 18. Schalten Sie stets das Werkzeug aus, und nehmen Sie den Akku ab, bevor Sie die Schermesser überprüfen, Fehler beheben oder zwischen den Schermessern eingeklemmte Fremdkörper entfernen.
 19. Richten Sie die Schermesser niemals auf sich selbst oder andere Personen.
 20. Falls die Messer stehen bleiben, weil sich Fremdkörper während des Betriebs zwischen den Messern verfangen haben, schalten Sie das Werkzeug aus, nehmen Sie den Akku ab, und beseitigen Sie dann die Fremdkörper mithilfe von Werkzeugen, wie z. B. einer Zange. Beseitigen der Fremdkörper von Hand kann zu einer Verletzung führen, da sich die Messer als Reaktion auf die Beseitigung der Fremdkörper bewegen können.
- Sicherheit der Elektrik und des Akkus**
1. Vermeiden Sie gefährliche Umgebungen. Benutzen Sie das Werkzeug nicht an feuchten oder nassen Orten, und setzen Sie es auch keinem Regen aus. Wasser, das in das Werkzeug eindringt, erhöht die Stromschlaggefahr.
 2. Werfen Sie den (die) Akku(s) nicht ins Feuer. Die Zelle könnte explodieren. Prüfen Sie die örtlichen Vorschriften für mögliche spezielle Entsorgungsanweisungen.
 3. Versuchen Sie nicht, den (die) Akku(s) zu öffnen oder zu verstümmeln. Freigesetzter Elektrolyt ist korrosiv und kann Schäden an Augen oder Haut verursachen. Falls er verschluckt wird, kann er giftig sein.
 4. Laden Sie den Akku nicht im Regen oder an nassen Orten.
 5. Laden Sie den Akku nicht im Freien.
 6. Fassen Sie das Ladegerät, einschließlich des Ladegerätesteckers und der Ladegeräteanschlüsse, nicht mit nassen Händen an.
- Wartung und Lagerung**
1. Wenn das Werkzeug für Wartung, Inspektion oder Lagerung gestoppt ist, schalten Sie das Werkzeug aus, nehmen Sie den Akku ab, und vergewissern Sie sich, dass alle beweglichen Teile zum Stillstand gekommen sind. Lassen Sie das Werkzeug abkühlen, bevor Sie Überprüfungen, Einstellungen usw. vornehmen.
 2. Lassen Sie das Werkzeug vor der Lagerung stets abkühlen.
 3. Wenn das Werkzeug nicht in Gebrauch ist, bringen Sie die Messerabdeckung am Werkzeug an, und lagern Sie das Werkzeug in einem Innenraum an einem trockenen und hohen verriegelten Ort außerhalb der Reichweite von Kindern.
 4. Halten Sie das Werkzeug sorgfältig instand. Halten Sie die Schneidkanten scharf und sauber für optimale Leistung, und um die Verletzungsgefahr zu verringern. Befolgen Sie die Anweisungen für die Schmierung und den Austausch von Zubehör. Halten Sie die Handgriffe trocken, sauber und frei von Öl und Fett.

5. Auf beschädigte Teile überprüfen. Bevor Sie das Werkzeug weiter benutzen, sollten Sie beschädigte Teile sorgfältig auf ihre Betriebsfähigkeit und Funktionstüchtigkeit hin überprüfen. Überprüfen Sie das Werkzeug auf Ausrichtung und Klemmen beweglicher Teile, Bruchstellen, Befestigungszustand und sonstige Mängel von Teilen, die seinen Betrieb beeinträchtigen können. Beschädigte Schutzvorrichtungen oder Teile sollten von einem autorisierten Service-Center ordnungsgemäß repariert oder ausgewechselt werden.
6. Verwenden Sie nur Original-Ersatzteile.
7. Wenn Sie das Werkzeug zu einem anderen Ort transportieren, auch während der Arbeit, nehmen Sie immer den Akku ab, und setzen Sie die Messerabdeckung auf die Schermesser. Tragen oder transportieren Sie das Werkzeug niemals mit laufenden Messern. Ergreifen Sie die Messer niemals mit Ihren Händen.
8. Reinigen Sie das Werkzeug und insbesondere die Schermesser nach jedem Gebrauch und vor längerer Lagerung des Werkzeugs. Ölen Sie die Schermesser leicht ein, und bringen Sie die Messerabdeckung an.
9. Werfen Sie den (die) Akku(s) nicht ins Feuer. Die Zelle könnte explodieren. Prüfen Sie die örtlichen Vorschriften für mögliche spezielle Entsorgungsanweisungen.
10. Versuchen Sie nicht, den (die) Akku(s) zu öffnen oder zu verstümmeln. Freigesetzter Elektrolyt ist korrosiv und kann Schäden an Augen oder Haut verursachen. Falls er verschluckt wird, kann er giftig sein.
11. Laden Sie den Akku nicht im Regen oder an nassen Orten.
4. Falls Elektrolyt in Ihre Augen gelangt, waschen Sie sie mit sauberem Wasser aus, und begeben Sie sich unverzüglich in ärztliche Behandlung. Anderenfalls können Sie Ihre Sehkraft verlieren.
5. Der Akku darf nicht kurzgeschlossen werden:
 - (1) Die Kontakte dürfen nicht mit leitfähigem Material berührt werden.
 - (2) Lagern Sie den Akku nicht in einem Behälter zusammen mit anderen Metallgegenständen, wie z. B. Nägel, Münzen usw.
 - (3) Setzen Sie den Akku weder Wasser noch Regen aus.

Ein Kurzschluss des Akkus verursacht starken Stromfluss, der Überhitzung, mögliche Verbrennungen und einen Defekt zur Folge haben kann.
6. Lagern und benutzen Sie das Werkzeug und den Akku nicht an Orten, an denen die Temperatur 50 °C erreichen oder überschreiten kann.
7. Versuchen Sie niemals, den Akku zu verbrennen, selbst wenn er stark beschädigt oder vollkommen verbraucht ist. Der Akku kann im Feuer explodieren.
8. Unterlassen Sie Nageln, Schneiden, Zerquetschen, Werfen, Fallenlassen des Akkus oder Schlagen des Akkus mit einem harten Gegenstand. Eine solche Handlung kann zu einem Brand, übermäßiger Hitzeentwicklung oder einer Explosion führen.
9. Benutzen Sie keine beschädigten Akkus.
10. Die enthaltenen Lithium-Ionen-Akkus unterliegen den Anforderungen der Gefahrgut-Gesetzgebung.

Für kommerzielle Transporte, z. B. durch Dritte oder Spediteure, müssen besondere Anforderungen zu Verpackung und Etikettierung beachtet werden. Zur Vorbereitung des zu transportierenden Artikels ist eine Beratung durch einen Experten für Gefahrgut erforderlich. Bitte beachten Sie möglicherweise ausführlichere nationale Vorschriften. Überkleben oder verdecken Sie offene Kontakte, und verpacken Sie den Akku so, dass er sich in der Verpackung nicht umher bewegen kann.

11. Entfernen Sie den Akku zum Entsorgen vom Werkzeug, und entsorgen Sie ihn an einem sicheren Ort. Befolgen Sie die örtlichen Vorschriften bezüglich der Entsorgung von Akkus.
12. Verwenden Sie die Akku nur mit den von Makita angegebenen Produkten. Das Einsetzen der Akkus in nicht konforme Produkte kann zu einem Brand, übermäßiger Hitzebildung, einer Explosion oder Auslaufen von Elektrolyt führen.
13. Soll das Werkzeug längere Zeit nicht benutzt werden, muss der Akku vom Werkzeug entfernt werden.
14. Bei und nach dem Gebrauch kann der Akku heiß werden, was Verbrennungen oder Niedertemperaturverbrennungen verursachen kann. Beachten Sie die Handhabung von heißen Akkus.
15. Berühren Sie nicht den Anschlusskontakt des Werkzeugs unmittelbar nach dem Gebrauch, da er heiß genug werden kann, um Verbrennungen zu verursachen.

DIESE ANWEISUNGEN AUFBEWAHREN.

⚠️ WARNUNG: Lassen Sie sich NICHT durch Bequemlichkeit oder Vertrautheit mit dem Produkt (durch wiederholten Gebrauch erworben) von der strikten Einhaltung der Sicherheitsregeln für das vorliegende Produkt abhalten. MISSBRAUCH oder Missachtung der Sicherheitsvorschriften in dieser Anleitung können schwere Verletzungen verursachen.

Wichtige Sicherheitsanweisungen für Akku

1. Lesen Sie vor der Benutzung des Akkus alle Anweisungen und Warnhinweise, die an (1) Ladegerät, (2) Akku und (3) Akkuwerkzeug angebracht sind.
2. Unterlassen Sie Zerlegen oder Manipulieren des Akkus. Es kann sonst zu einem Brand, übermäßiger Hitzeentwicklung oder einer Explosion kommen.
3. Falls die Betriebszeit beträchtlich kürzer geworden ist, stellen Sie den Betrieb sofort ein. Anderenfalls besteht die Gefahr von Überhitzung, möglichen Verbrennungen und sogar einer Explosion.

16. **Achten Sie darauf, dass sich keine Späne, Staub oder Schmutz in den Anschlusskontakten, Löchern und Nuten des Akkus absetzen.** Es könnte sonst zu Erhitzung, Brandauslösung, Bersten und Funktionsstörungen des Werkzeugs oder des Akkus kommen, was zu Verbrennungen oder Personenschäden führen kann.
17. **Wenn das Werkzeug den Einsatz in der Nähe einer Hochspannungs-Stromleitung nicht unterstützt, benutzen Sie den Akku nicht in der Nähe einer Hochspannungs-Stromleitung.** Dies kann zu einer Funktionsstörung oder Betriebsstörung des Werkzeugs oder des Akkus führen.
18. **Halten Sie die Batterie von Kindern fern.**

DIESE ANWEISUNGEN AUFBEWAHREN.

⚠ VORSICHT: Verwenden Sie nur Original-Makita-Akkus. Die Verwendung von Nicht-Original-Makita-Akkus oder von Akkus, die abgeändert worden sind, kann zum Bersten des Akkus und daraus resultierenden Bränden, Personenschäden und Beschädigung führen. Außerdem wird dadurch die Makita-Garantie für das Makita-Werkzeug und -Ladegerät ungültig.

Hinweise zur Aufrechterhaltung der maximalen

Akku-Nutzungsdauer

1. **Laden Sie den Akku, bevor er vollkommen erschöpft ist. Schalten Sie das Werkzeug stets aus, und laden Sie den Akku, wenn Sie ein Nachlassen der Werkzeulleistung feststellen.**
2. **Unterlassen Sie erneutes Laden eines voll aufgeladenen Akkus. Überladen führt zu einer Verkürzung der Nutzungsdauer des Akkus.**
3. **Laden Sie den Akku bei Raumtemperatur zwischen 10 – 40 °C. Lassen Sie einen heißen Akku abkühlen, bevor Sie ihn laden.**
4. **Wenn Sie den Akku nicht benutzen, nehmen Sie ihn vom Werkzeug oder Ladegerät ab.**
5. **Der Akku muss geladen werden, wenn er lange Zeit (länger als sechs Monate) nicht benutzt wird.**

BEZEICHNUNG DER TEILE

► Abb.1

1	Kopf	2	Winkleinstellknopf	3	Sperrhebel	4	Rändelmutter
5	Vorderer Handgriff	6	Hinterer Handgriff	7	Akku	8	Ein-Aus-Schalter
9	Einschaltsperrknopf	10	Schermesser	-	-	-	-

FUNKTIONSBESCHREIBUNG

⚠ VORSICHT: Vergewissern Sie sich vor der Durchführung von Einstellungen oder Funktionsprüfungen des Werkzeugs stets, dass das Werkzeug ausgeschaltet und der Akku abgenommen ist.

Anbringen und Abnehmen des Akkus

⚠ VORSICHT: Schalten Sie das Werkzeug stets aus, bevor Sie den Akku anbringen oder abnehmen.

⚠ VORSICHT: Halten Sie das Werkzeug und den Akku beim Anbringen oder Abnehmen des Akkus sicher fest. Wenn Sie das Werkzeug und den Akku nicht sicher festhalten, können sie Ihnen aus der Hand rutschen, was zu einer Beschädigung des Werkzeugs und des Akkus und zu Körperverletzungen führen kann.

► **Abb.2:** 1. Rote Anzeige 2. Knopf 3. Akku

Ziehen Sie den Akku zum Abnehmen vom Werkzeug ab, während Sie den Knopf an der Vorderseite des Akkus verschieben.

Richten Sie zum Anbringen des Akkus dessen Führungsfeder auf die Nut im Gehäuse aus, und schieben Sie den Akku hinein. Schieben Sie ihn vollständig ein, bis er mit einem leisen Klicken einrastet. Wenn Sie die rote Anzeige sehen können, wie in der Abbildung gezeigt, ist der Akku nicht vollständig verriegelt.

⚠ VORSICHT: Schieben Sie den Akku stets bis zum Anschlag ein, bis die rote Anzeige nicht mehr sichtbar ist. Anderenfalls kann er aus dem Werkzeug herausfallen und Sie oder umstehende Personen verletzen.

⚠ VORSICHT: Unterlassen Sie Gewaltanwendung beim Anbringen des Akkus. Falls der Akku nicht reibungslos hineingleitet, ist er nicht richtig ausgerichtet.

Anzeigen der Akku-Restkapazität

Nur für Akkus mit Anzeige

► **Abb.3:** 1. Anzeigelampen 2. Prüftaste

Drücken Sie die Prüftaste am Akku, um die Akku-Restkapazität anzuzeigen. Die Anzeigelampen leuchten wenige Sekunden lang auf.

Anzeigelampen			Restkapazität
Erleuchtet	Aus	Blinkend	
■	□	◐	75% bis 100%
■	■	■	50% bis 75%
■	■	□	25% bis 50%
■	□	□	0% bis 25%
◐	□	□	Den Akku aufladen.
■	■	□	Möglicherweise liegt eine Funktionsstörung im Akku vor.
□	□	■	

HINWEIS: Abhängig von den Benutzungsbedingungen und der Umgebungstemperatur kann die Anzeige geringfügig von der tatsächlichen Kapazität abweichen.

HINWEIS: Die erste (äußerste linke) Anzeigelampe blinkt, wenn das Akku-Schutzsystem aktiv ist.

Werkzeug/Akku-Schutzsystem

Das Werkzeug ist mit einem Werkzeug/Akku-Schutzsystem ausgestattet. Dieses System schaltet die Stromversorgung des Motors automatisch ab, um die Lebensdauer von Werkzeug und Akku zu verlängern. Das Werkzeug bleibt während des Betriebs automatisch stehen, wenn das Werkzeug oder der Akku einer der folgenden Bedingungen unterliegt:

Überlastschutz

Wird das Werkzeug oder der Akku auf eine Weise benutzt, die eine ungewöhnlich hohe Stromaufnahme bewirkt, bleibt das Werkzeug automatisch stehen. Schalten Sie in dieser Situation das Werkzeug aus, und brechen Sie die Anwendung ab, die eine Überlastung des Werkzeugs verursacht hat. Schalten Sie dann das Werkzeug wieder ein, um neu zu starten.

Überhitzungsschutz

Wenn das Werkzeug oder der Akku überhitzt wird, bleibt das Werkzeug automatisch stehen. Lassen Sie Werkzeug und Akku in diesem Fall abkühlen, bevor Sie das Werkzeug wieder einschalten.

Überentladungsschutz

Wenn die Akkukapazität unzureichend wird, bleibt das Werkzeug automatisch stehen. Nehmen Sie in diesem Fall den Akku vom Werkzeug ab, und laden Sie ihn auf.

Schalterfunktion

⚠️ WARNUNG: Vergewissern Sie sich vor dem Einsetzen des Akkus in das Werkzeug stets, dass der Ein-Aus-Schalter ordnungsgemäß funktioniert und beim Loslassen in die AUS-Stellung zurückkehrt.

⚠️ WARNUNG: Aus Sicherheitsgründen ist dieses Werkzeug mit einem Einschaltsperrknopf ausgestattet, die versehentliches Starten des Werkzeugs verhindert. Betreiben Sie das Werkzeug niemals, wenn es durch bloße Betätigung des Auslöseschalters eingeschaltet werden kann, ohne den Einschaltsperrknopf zu drücken. Wenden Sie sich bezüglich einer Reparatur an Ihre örtliche Makita-Kundendienststelle.

⚠️ WARNUNG: Auf keinen Fall darf die Sperrfunktion deaktiviert oder der Einschaltsperrknopf mit Klebeband festgeklebt werden.

ANMERKUNG: Betätigen Sie den Auslöseschalter nicht gewaltsam, ohne den Einschaltsperrknopf zu drücken. Anderenfalls kann der Schalter beschädigt werden.

► **Abb.4:** 1. Einschaltsperrknopf 2. Ein-Aus-Schalter

Um versehentliche Betätigung des Auslöseschalters zu verhindern, ist das Werkzeug mit einem Einschaltsperrknopf ausgestattet.

Zum Starten des Werkzeugs drücken Sie erst den Einschaltsperrknopf und betätigen dann den Auslöseschalter. Zum Ausschalten lassen Sie den Auslöseschalter los. Der Einschaltsperrknopf kann entweder von rechts oder links gedrückt werden.

Einstellen des Schnittwinkels

⚠️ VORSICHT: Vergewissern Sie sich vor dem Ein- oder Ausklappen des Kopfes stets, dass das Werkzeug ausgeschaltet ist.

⚠️ VORSICHT: Wenn Sie den Kopf zum Tragen oder nach dem Gebrauch des Werkzeugs einklappen, bringen Sie vorher unbedingt die Messerabdeckung an.

⚠️ VORSICHT: Achten Sie beim Einklappen des Kopfes darauf, dass Sie Ihre Finger nicht zwischen Kopf und Werkzeuggehäuse einklemmen.

Der Winkel des Kopfes kann in 10 Stufen eingestellt werden. Um den Winkel des Kopfes zu ändern, befolgen Sie die nachstehenden Schritte.

1. Halten Sie den Kopf und das Werkzeuggehäuse, wie in der Abbildung gezeigt.

► **Abb.5:** 1. Kopf 2. Winkeleinstellknopf

2. Stellen Sie den Winkel des Kopfes ein, während Sie den Winkeleinstellknopf niedergedrückt halten, und lassen Sie dann den Winkeleinstellknopf los.

3. Bewegen Sie den Kopf geringfügig, bis er mit einem Klicken einrastet.

HINWEIS: Vergewissern Sie sich, dass der Kopf sicher eingerastet ist, bevor Sie das Werkzeug betreiben.

Einstellen der Rohrlänge

⚠ VORSICHT: Vergewissern Sie sich vor dem Einstellen der Rohrlänge stets, dass das Werkzeug ausgeschaltet ist.

⚠ VORSICHT: Bringen Sie vor dem Einstellen der Rohrlänge unbedingt die Messerabdeckung an.

⚠ VORSICHT: Achten Sie beim Einstellen der Rohrlänge darauf, dass Ihre Finger nicht eingeklemmt werden.

⚠ VORSICHT: Vergewissern Sie sich, dass der Sperrhebel einwandfrei verriegelt ist.

⚠ VORSICHT: Legen Sie das Werkzeug zum Einstellen der Rohrlänge auf seine Seite. Wenn Sie das Werkzeug aufrecht stellen, fällt der Kopf plötzlich herunter, wodurch eine Verletzung verursacht werden kann.

Lösen Sie den Sperrhebel, stellen Sie die Länge des Rohrs ein, und verriegeln Sie dann den Sperrhebel.

► **Abb.6:** 1. Sperrhebel

Einstellen der Position des vorderen Handgriffs

⚠ VORSICHT: Vergewissern Sie sich vor dem Einstellen der Position des vorderen Handgriffs stets, dass das Werkzeug ausgeschaltet ist.

⚠ VORSICHT: Achten Sie beim Einstellen der Position des vorderen Handgriffs darauf, dass Ihre Finger nicht eingeklemmt werden.

⚠ VORSICHT: Vergewissern Sie sich, dass die Rändelmutter sicher angezogen ist.

⚠ VORSICHT: Verschieben Sie den vorderen Handgriff nicht über die Pfeilmarkierung hinaus.

Um die Position des vorderen Handgriffs einzustellen, lösen Sie die Rändelmutter durch Drehen entgegen dem Uhrzeigersinn, stellen Sie die Position des vorderen Handgriffs ein, und ziehen Sie dann die Rändelmutter durch Drehen im Uhrzeigersinn fest.

► **Abb.7:** 1. Rändelmutter 2. Pfeilmarkierung

MONTAGE

⚠ VORSICHT: Vergewissern Sie sich vor der Ausführung von Arbeiten am Werkzeug stets, dass das Werkzeug ausgeschaltet und der Akku abgenommen ist.

⚠ VORSICHT: Tragen Sie beim Austauschen der Schermesser immer Handschuhe, damit Ihre Hände nicht in direkten Kontakt mit den Messern kommen.

Montieren oder Demontieren der Schermesser

⚠ VORSICHT: Bringen Sie die Messerabdeckung an, bevor Sie die Schermesser demontieren oder montieren.

ANMERKUNG: Wischen Sie beim Auswechseln der Schermesser kein Schmierfett von Zahnrad und Kurbel ab.

HINWEIS: Bevor Sie die Schermesser montieren oder demontieren, klappen Sie den Kopf des Werkzeugs aus, so dass der Kopf gerade zum Werkzeuggehäuse ist.

1. Drehen Sie das Werkzeug um.
2. Entfernen Sie 4 Schrauben mit einem Schraubendreher, und entfernen Sie die Schermesser.
► **Abb.8:** 1. Schraube
3. Entfernen Sie die Kurbel von den Schermessern.
► **Abb.9:** 1. Kurbel

HINWEIS: Die Kurbel kann im Werkzeug verbleiben.

4. Halten Sie die Kurbel und neue Schermesser bereit.
► **Abb.10:** 1. Kurbel 2. Schermesser
5. Entfernen Sie die Messerabdeckung, und befestigen Sie sie dann an den neuen Schermessern.
6. Tragen Sie ein wenig Schmierfett auf den Rand der Kurbel auf. Bringen Sie Unterlegscheibe, Zahnrad und Kurbel in dieser Reihenfolge am Zapfen an.
► **Abb.11:** 1. Kurbel 2. Zahnrad 3. Unterlegscheibe 4. Zapfen
7. Stellen Sie die Kurbel so ein, dass die 2 kleinen Löcher in der Kurbel auf der Ausrichtlinie aufgereiht sind, wie in der Abbildung gezeigt.
► **Abb.12:** 1. Ausrichtlinie 2. Kleines Loch
8. Verschieben Sie die Schermesser so, dass die Öffnung in der Führungsplatte in der Mitte der Ringe der Messer positioniert ist.
► **Abb.13:** 1. Führungsplatte
9. Führen Sie die in Schritt 2 entfernte Schraube durch das Loch in der Messerabdeckung in die Öffnung der Schermesser ein.
► **Abb.14:** 1. Loch
10. Befestigen Sie die Schermesser am Werkzeug, und ziehen Sie dann 3 Schrauben mit dem Schraubendreher an.
► **Abb.15:** 1. Schraube
11. Entfernen Sie die Schraube, die Sie in Schritt 9 in die Öffnung der Schermesser eingeführt haben, und ziehen Sie dann die Schraube fest, um die Schermesser zu fixieren.

ANMERKUNG: Falls die Schermesser nicht ordnungsgemäß funktionieren, stehen die Messer nicht richtig mit der Kurbel in Eingriff. Entfernen Sie die Messer, und montieren Sie sie wieder.

ANMERKUNG: Falls andere Teile außer den Schermessern, wie z. B. die Kurbel, verschlissen sind, wenden Sie sich für einen Teileaustausch oder Reparaturen an ein autorisiertes Makita-Servicecenter.

Montieren und Demontieren des Spänefängers

Sonderzubehör

⚠ VORSICHT: Tragen Sie beim Montieren oder Demontieren des Spänefängers immer Handschuhe, damit Ihre Hände nicht in direkten Kontakt mit den Schermessern kommen.

⚠ VORSICHT: Bringen Sie die Messerabdeckung an, bevor Sie den Spänefänger montieren oder demontieren.

Der Spänefänger sammelt ausgeworfene Blätter auf und erleichtert die Reinigung nach der Arbeit erheblich. Er kann auf beiden Seiten des Werkzeugs angebracht werden.

1. Richten Sie die Löcher im Spänefänger auf die Muttern an den Schermessern aus.

► **Abb.16:** 1. Mutter

2. Haken Sie die Klauen des Spänefängers in die Nut an den Schermessern ein.

► **Abb.17:** 1. Klaue 2. Nut

3. Drücken Sie die Hebel am Spänefänger, und haken Sie dann die Klauen auf der anderen Seite in die Nut der Schermesser ein.

► **Abb.18:** 1. Hebel

Zum Demontieren des Spänefängers drücken Sie die Hebel, um die Klauen zu lösen.

► **Abb.19:** 1. Hebel

ANMERKUNG: Versuchen Sie niemals, den Spänefänger gewaltsam zu entfernen, solange seine Klauen in den Nuten der Schermesser eingestekt sind.

⚠ VORSICHT: Vermeiden Sie den Betrieb des Werkzeugs bei sehr heißem Wetter so weit wie praktikabel. Nehmen Sie beim Betreiben des Werkzeugs Rücksicht auf Ihre körperliche Verfassung.

⚠ VORSICHT: Lassen Sie beim Trimmen Vorsicht walten, damit die Messer nicht versehentlich einen Metallzaun oder andere harte Gegenstände berühren. Anderenfalls können die Schermesser brechen und eine Verletzung verursachen.

⚠ VORSICHT: Achten Sie darauf, dass die Schermesser nicht den Boden berühren. Anderenfalls kann das Werkzeug zurückschnellen und eine Verletzung verursachen.

⚠ VORSICHT: Strecken Sie sich beim Schneiden mit einer Heckenschere, besonders auf einer Leiter, nicht zu weit nach vorn, da dies äußerst gefährlich ist. Schneiden Sie nicht, während Sie auf einer wackligen oder instabilen Unterlage stehen.

ANMERKUNG: Versuchen Sie nicht, Äste von mehr als 10 mm Durchmesser mit dem Werkzeug zu schneiden. Schneiden Sie Äste vor Gebrauch dieses Werkzeugs mit Astschneidern auf 10 cm unter der Schnitthöhe.

► **Abb.20:** (1) Schnitthöhe (2) 10 cm

ANMERKUNG: Schneiden Sie keine toten Bäume oder ähnliche harte Objekte um. Dadurch kann das Werkzeug beschädigt werden.

ANMERKUNG: Schneiden Sie kein Gras oder Unkraut, während Sie die Schermesser benutzen. Gras oder Unkraut können sich in den Schermessern verheddern.

Halten Sie das Werkzeug mit beiden Händen am vorderen und hinteren Handgriff fest.

► **Abb.21:** 1. Vorderer Handgriff 2. Hinterer Handgriff

Betätigen Sie den Auslöseschalter, während Sie den Einschaltsperrknopf drücken, und bewegen Sie dann das Werkzeug vorwärts.

► **Abb.22**

Bei grundlegendem Betrieb neigen Sie die Schermesser in die Schneidrichtung, und bewegen Sie das Werkzeug ruhig und langsam mit einer Vorschubrate von 3 bis 4 Sekunden pro Meter vor.

► **Abb.23**

Um eine gerade Seitenkante einer Hecke zu erhalten, schneiden Sie von unten nach oben.

► **Abb.24**

Wenn Sie eine runde Form schneiden wollen (Trimmen von Buchsbaum oder Rhododendron usw.), trimmen Sie von der Wurzel nach oben, um eine schöne Ausführung zu erhalten.

► **Abb.25**

Durch Anbringen des Spänefängers an den Schermessern werden ausgeworfene Blätter aufgesammelt, und die Reinigung nach der Arbeit wird erheblich erleichtert.

► **Abb.26**

BETRIEB

Betreiben des Werkzeugs

⚠ WARNUNG: Benutzen Sie das Werkzeug nicht in der Nähe von Starkstromleitungen. Bei Kontakt mit oder Benutzung in der Nähe von Starkstromleitungen besteht die Gefahr einer schweren Verletzung oder eines elektrischen Schlags, die zum Tod führen können.

⚠ WARNUNG: Halten Sie Ihre Hände von den Schermessern fern.

⚠ WARNUNG: Lassen Sie äußerste Sorgfalt walten, um immer die Kontrolle über das Werkzeug zu behalten. Achten Sie darauf, dass das Werkzeug nicht zu Ihnen oder einer anderen Person im Arbeitsbereich abgelenkt wird. Verlust der Kontrolle über das Werkzeug kann zu schweren Verletzungen von Umstehenden und Bediener führen.

WARTUNG

⚠ VORSICHT: Vergewissern Sie sich vor der Durchführung von Inspektions- oder Wartungsarbeiten stets, dass das Werkzeug ausgeschaltet und der Akku abgenommen ist.

⚠ VORSICHT: Legen Sie das Werkzeug immer ab, um es zu überprüfen oder zu warten. Wird das Werkzeug in aufrechter Stellung zusammengebaut oder eingestellt, kann es zu schweren Verletzungen kommen.

Um die SICHERHEIT und ZUVERLÄSSIGKEIT dieses Produkts zu gewährleisten, sollten Reparaturen und andere Wartungs- oder Einstellarbeiten nur von Makita-Vertragswerkstätten oder Makita-Kundendienstzentren unter ausschließlicher Verwendung von Makita-Originalersatzteilen ausgeführt werden.

Reinigen des Werkzeugs

Reinigen Sie das Werkzeug, indem Sie es mit einem trockenen oder einem in Seifenwasser getauchten und ausgewrungenen Tuch abwischen.

ANMERKUNG: Verwenden Sie auf keinen Fall Benzin, Waschbenzin, Verdünner, Alkohol oder dergleichen. Solche Mittel können Verfärbung, Verformung oder Rissbildung verursachen.

Schermesserwartung

Tragen Sie vor dem Betrieb oder einmal pro Stunde während der Arbeit Öl von niedriger Viskosität (Maschinenöl oder Sprühschmieröl) auf die Schermesser auf.

► **Abb.27**

Entfernen Sie nach dem Betrieb Staub von beiden Seiten der Schermesser mit einer Drahtbürste, wischen Sie die Schermesser mit einem Tuch ab, und tragen Sie dann Öl von niedriger Viskosität (Maschinenöl oder Sprühschmieröl) auf die Schermesser auf.

► **Abb.28**

ANMERKUNG: Waschen Sie die Schermesser nicht in Wasser. Dadurch kann Rostbildung gefördert oder eine Beschädigung des Werkzeugs verursacht werden.

ANMERKUNG: Schmutz und Korrosion verursachen übermäßige Messerreibung und verkürzen die Betriebszeit pro Akkuladung.

Lagerung

Bringen Sie die Messerabdeckung an den Schermessern an, damit die Messer nicht ungeschützt sind. Lagern Sie das Werkzeug außer Reichweite von Kindern. Lagern Sie das Werkzeug an einem Ort, der weder Feuchtigkeit noch Regen ausgesetzt ist.

FEHLERSUCHE

Bevor Sie den Reparaturdienst anrufen, führen Sie zunächst Ihre eigene Inspektion durch. Falls Sie ein Problem finden, das nicht in der Anleitung erläutert wird, versuchen Sie nicht, das Werkzeug zu zerlegen. Wenden Sie sich stattdessen an autorisierte Makita-Kundendienstzentren, und achten Sie darauf, dass stets Makita-Ersatzteile für Reparaturen verwendet werden.

Zustand der Unregelmäßigkeit	Wahrscheinliche Ursache (Funktionsstörung)	Abhilfemaßnahme
Der Motor läuft nicht.	Der Akku ist nicht eingesetzt.	Den Akku einsetzen.
	Akkustörung (Unterspannung)	Den Akku aufladen. Falls Laden nichts nützt, den Akku austauschen.
	Das Antriebssystem funktioniert nicht korrekt.	Wenden Sie sich bezüglich einer Reparatur an Ihr autorisiertes Kundendienstzentrum.
Der Motor bleibt nach kurzem Betrieb stehen, oder der Motor läuft gar nicht.	Der Ladestand des Akkus ist niedrig.	Den Akku aufladen. Falls Laden nichts nützt, den Akku austauschen.
	Überhitzung.	Brechen Sie die Benutzung des Werkzeugs ab, um es abkühlen zu lassen.
Das Werkzeug erreicht die Maximaldrehzahl nicht.	Der Akku ist falsch eingesetzt.	Setzen Sie den Akku gemäß der Beschreibung in dieser Anleitung ein.
	Die Akkuleistung lässt nach.	Den Akku aufladen. Falls Laden nichts nützt, den Akku austauschen.
	Das Antriebssystem funktioniert nicht korrekt.	Wenden Sie sich bezüglich einer Reparatur an Ihr autorisiertes Kundendienstzentrum.
Die Schermesser bewegen sich nicht: ⇒ Die Maschine unverzüglich stoppen!	Ungeeigneter Winkel der Schermesser.	Vergewissern Sie sich, dass der Kopf ordnungsgemäß in dem betriebsfähigen Winkel fixiert ist.
	Fremdkörper sind zwischen den Schermessern eingeklemmt.	Schalten Sie das Werkzeug aus, nehmen Sie den Akku ab, und beseitigen Sie dann die Fremdkörper mithilfe von Werkzeugen, wie z. B. einer Zange.
	Das Antriebssystem funktioniert nicht korrekt.	Wenden Sie sich bezüglich einer Reparatur an Ihr autorisiertes Kundendienstzentrum.
Ungewöhnliche Vibration: ⇒ Die Maschine unverzüglich stoppen!	Die Schermesser sind beschädigt, verbogen oder abgenutzt.	Tauschen Sie die Schermesser aus.
	Das Antriebssystem funktioniert nicht korrekt.	Wenden Sie sich bezüglich einer Reparatur an Ihr autorisiertes Kundendienstzentrum.
Schermesser und Motor bleiben nicht stehen: ⇒ Den Akku unverzüglich entfernen!	Elektrische Funktionsstörung.	Entfernen Sie den Akku, und wenden Sie sich bezüglich einer Reparatur an Ihr autorisiertes Kundendienstzentrum.

SONDERZUBEHÖR

⚠ VORSICHT: Die folgenden Zubehörteile oder Vorrichtungen werden für den Einsatz mit dem in dieser Anleitung beschriebenen Makita-Werkzeug empfohlen. Die Verwendung anderer Zubehörteile oder Vorrichtungen kann eine Verletzungsgefahr darstellen. Verwenden Sie Zubehörteile oder Vorrichtungen nur für ihren vorgesehenen Zweck.

Wenn Sie weitere Einzelheiten bezüglich dieser Zubehörteile benötigen, wenden Sie sich bitte an Ihre Makita-Kundendienststelle.

- Schermessereinheit
- Spänefänger
- Fetttube
- Original-Makita-Akku und -Ladegerät

HINWEIS: Manche Teile in der Liste können als Standardzubehör im Werkzeugsatz enthalten sein. Sie können von Land zu Land unterschiedlich sein.

Makita Europe N.V. Jan-Baptist Vinkstraat 2,
3070 Kortenberg, Belgium

Makita Corporation 3-11-8, Sumiyoshi-cho,
Anjo, Aichi 446-8502 Japan

www.makita.com

885881A974 EN, PL, HU, SK, CS, UK, RO, DE 20220722
