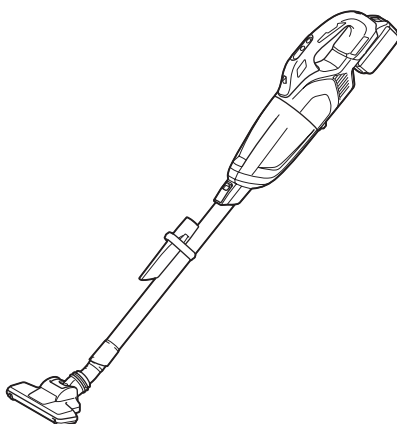




EN	Cordless Cleaner	INSTRUCTION MANUAL	8
PL	Odkurzacz Akumulatorowy	INSTRUKCJA OBSŁUGI	17
HU	Vezeték nélküli porszívó	HASZNÁLATI KÉZIKÖNYV	27
SK	Akumulátorový vysávač	NÁVOD NA OBSLUHU	36
CS	Akumulátorový vysavač	NÁVOD K OBSLUZE	45
UK	Бездротовий пилосос	ІНСТРУКЦІЯ З ЕКСПЛУАТАЦІЇ	54
RO	Aspirator cu acumulator	MANUAL DE INSTRUCȚIUNI	64
DE	Akku-Staubsauger	BETRIEBSANLEITUNG	74

DCL284F



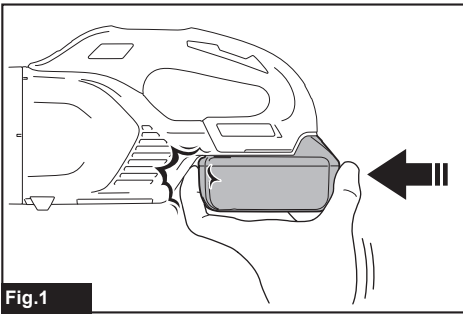


Fig.1

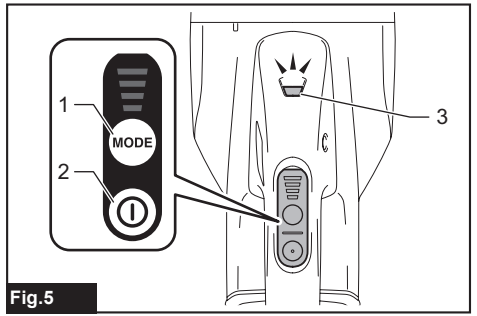


Fig.5

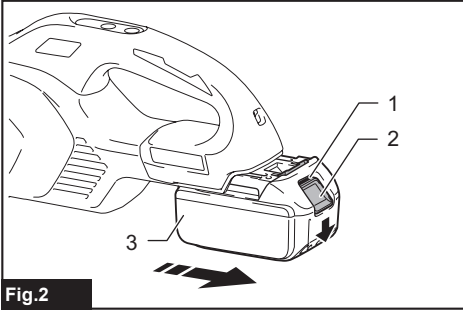


Fig.2

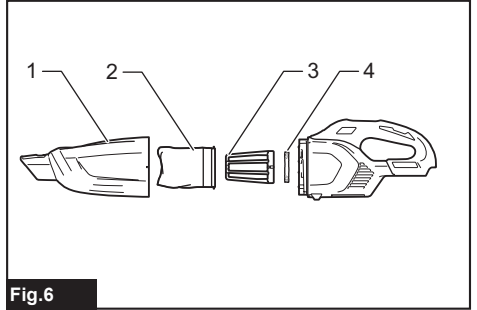


Fig.6

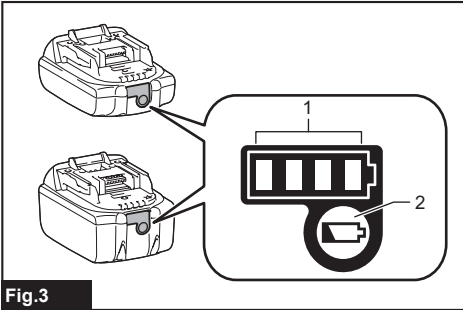


Fig.3

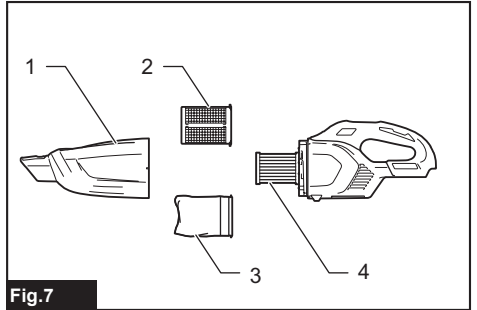


Fig.7

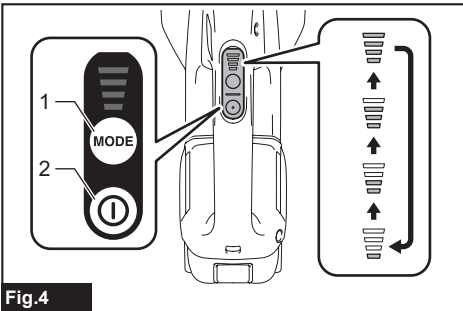


Fig.4

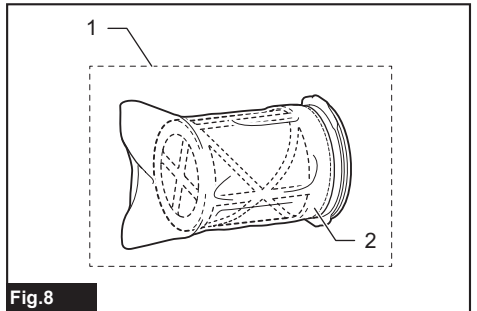
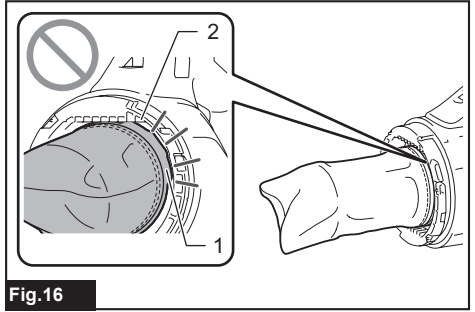
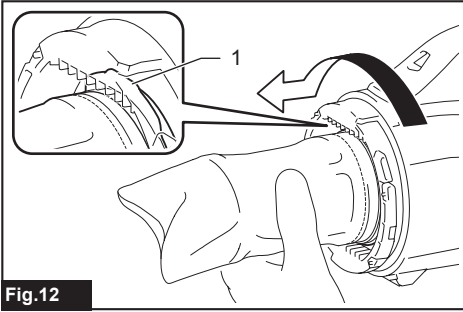
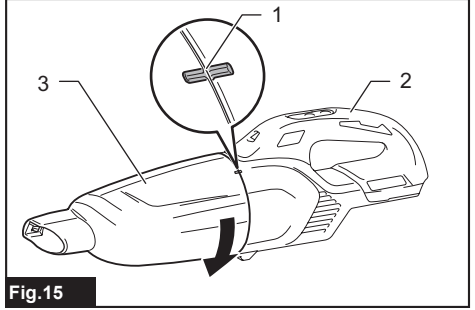
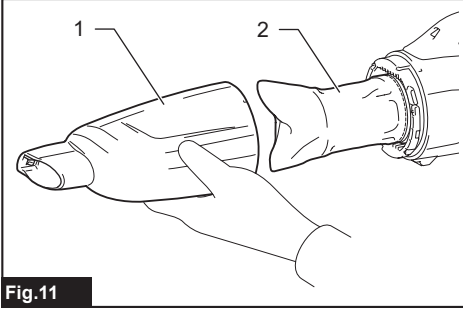
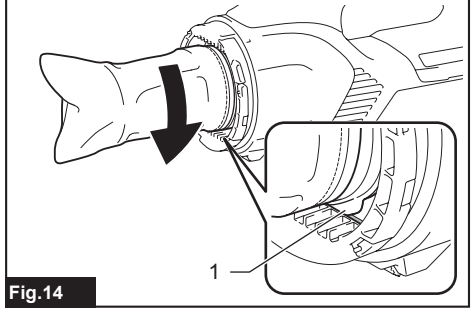
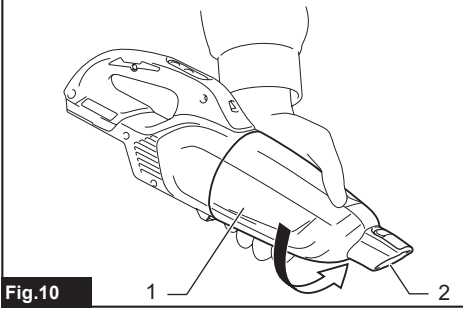
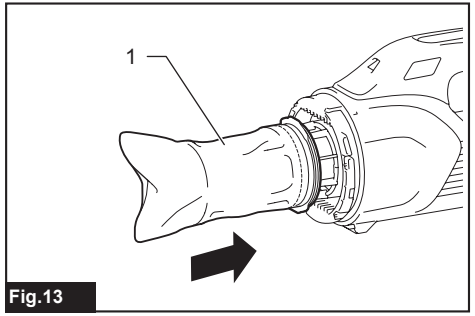
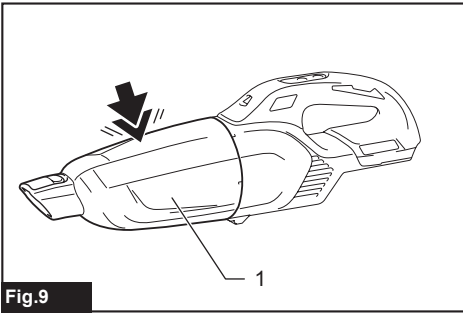


Fig.8



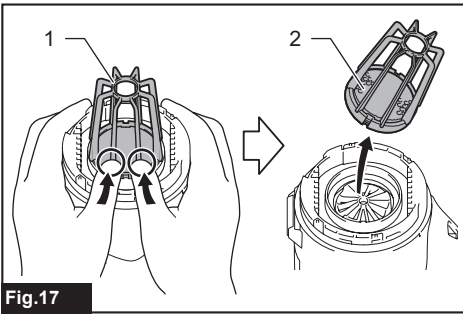


Fig.17

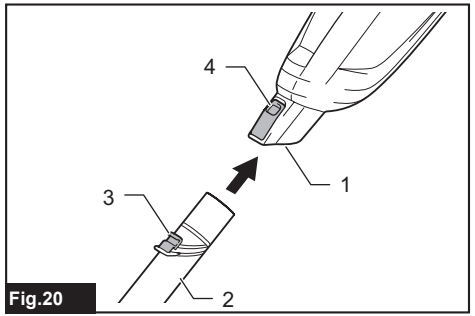


Fig.20

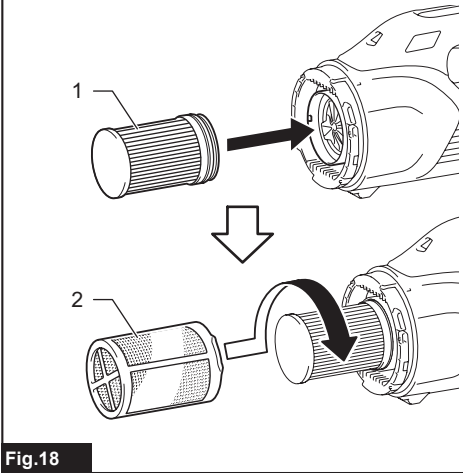


Fig.18

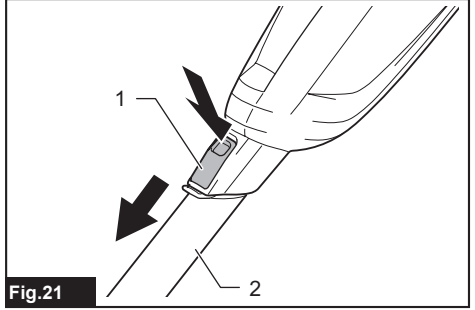


Fig.21

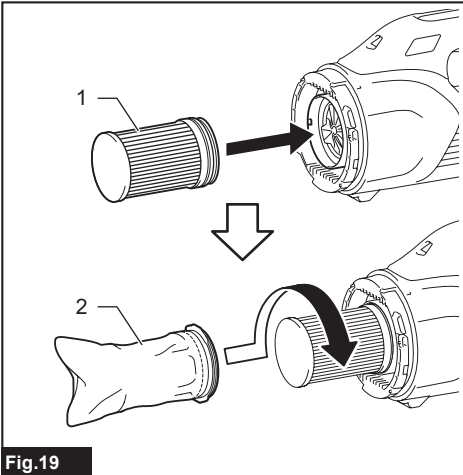


Fig.19

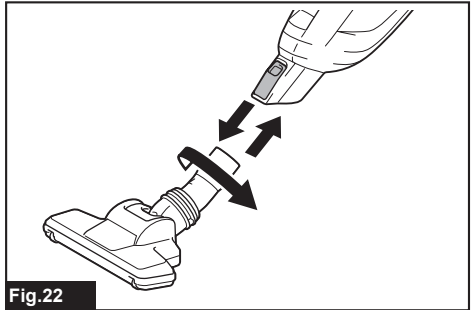


Fig.22

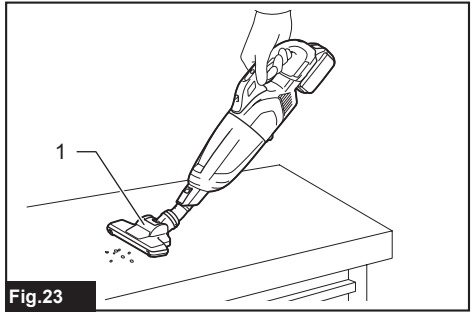


Fig.23

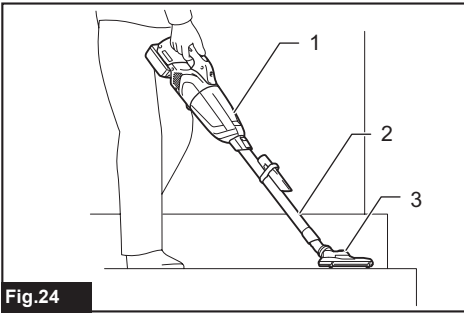


Fig.24

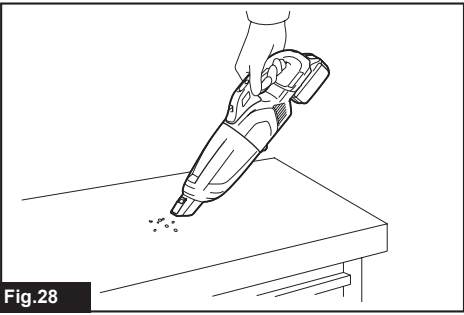


Fig.28

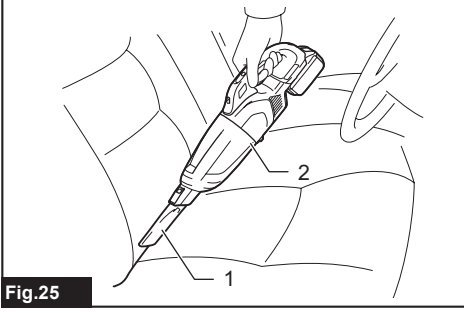


Fig.25

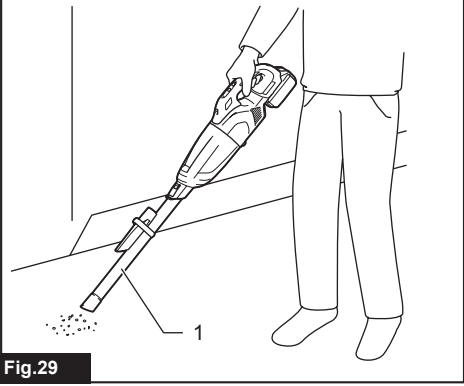


Fig.29

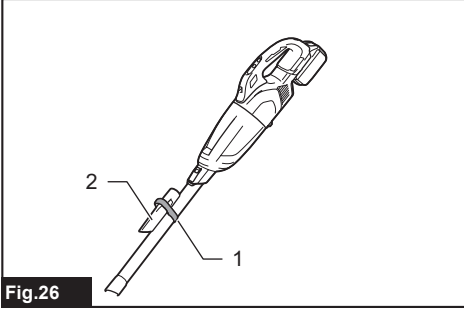


Fig.26

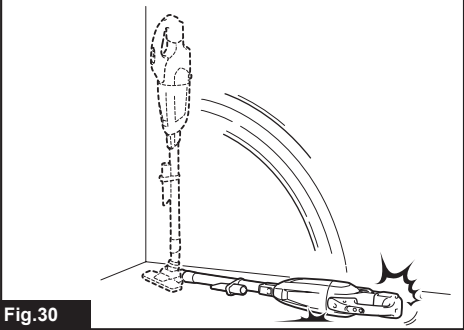


Fig.30

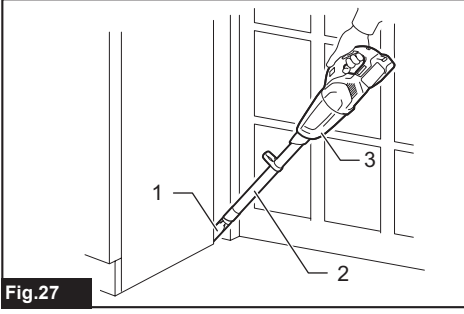


Fig.27

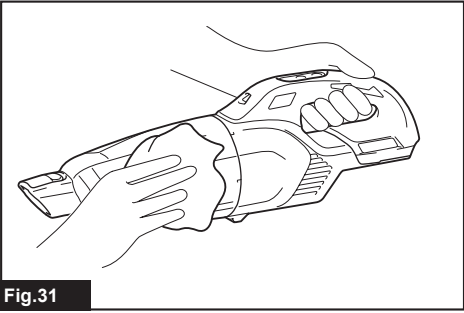


Fig.31

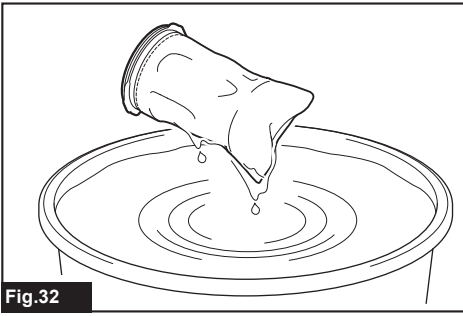


Fig.32

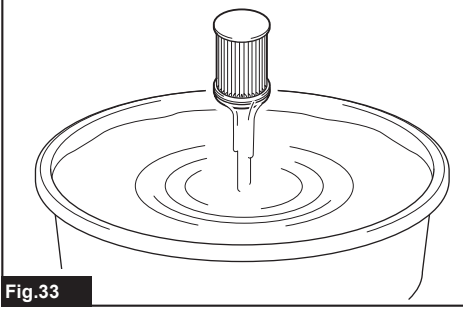


Fig.33

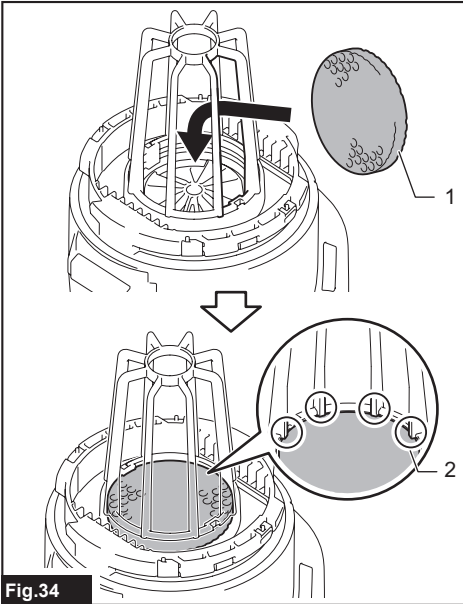


Fig.34

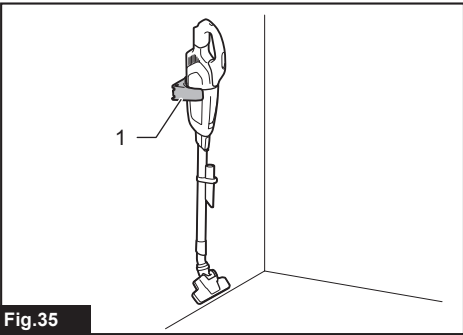


Fig.35

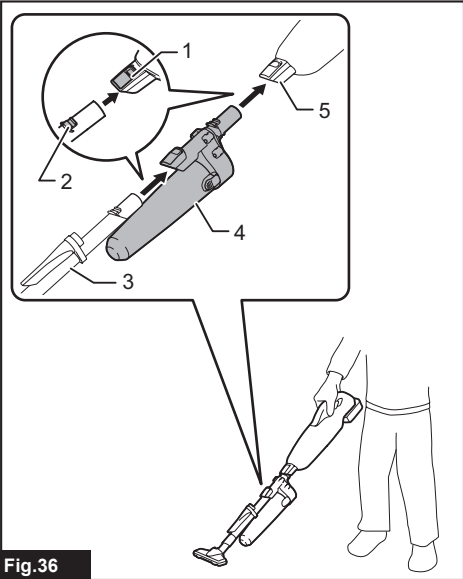


Fig.36

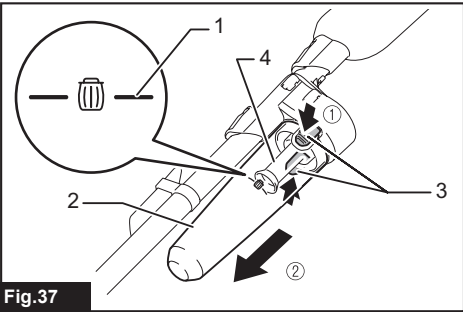


Fig.37

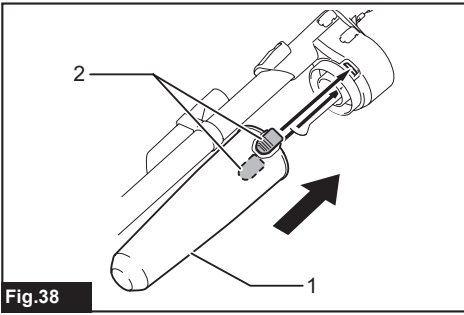


Fig.38

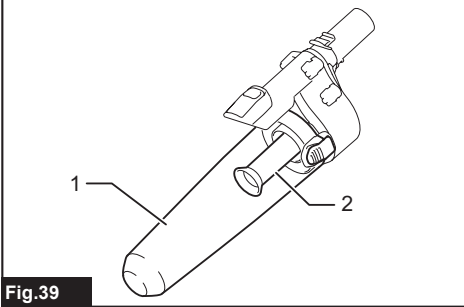


Fig.39

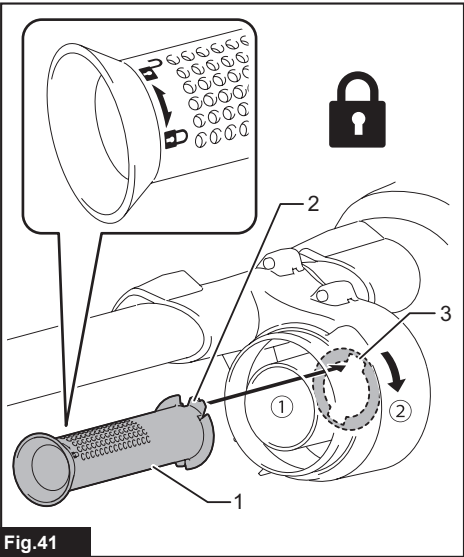


Fig.41

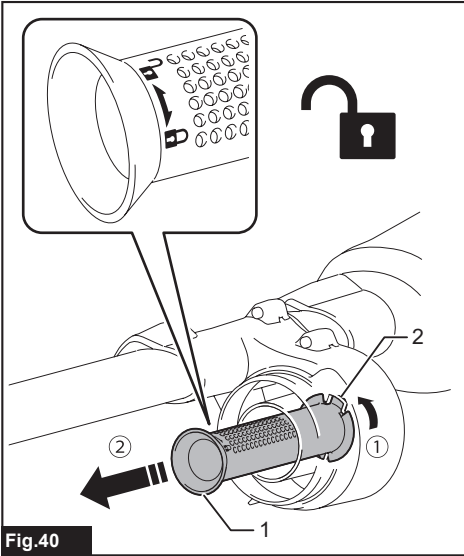


Fig.40

WARNING

- This appliance can be used by children aged from 8 years and above and persons with reduced physical, sensory or mental capabilities or lack of experience and knowledge if they have been given supervision or instruction concerning use of the appliance in a safe way and understand the hazards involved.
- Children shall not play with the appliance. Cleaning and user maintenance shall not be made by children without supervision.
- See the chapter "SPECIFICATIONS" for the type reference of the battery.
- See the section "Installing or removing battery cartridge" for how to remove or install the battery.
- When disposing the battery cartridge, remove it from the tool and dispose of it in a safe place. Follow your local regulations relating to disposal of battery.
- If the tool is not used for a long period of time, the battery must be removed from the tool.
- Do not short the battery cartridge.
- See the chapter "MAINTENANCE" for the appropriate details of precautions during user maintenance.

SPECIFICATIONS

Model:		DCL284F
Capacity		730 mL
Continuous use (with battery BL1830B)	1 (Quiet mode)	Approx. 38 min
	2 (Normal speed mode)	Approx. 21 min
	3 (High speed mode)	Approx. 15 min
	4 (Max speed mode)	Approx. 8 min
Overall length (with pipe, nozzle, and battery BL1830B)		1,066 mm
Rated voltage		D.C. 18 V
Net weight		1.3 - 1.7 kg

- Due to our continuing program of research and development, the specifications herein are subject to change without notice.
- Specifications may differ from country to country.
- The weight does not include accessories but battery cartridge(s). The lightest and heaviest combination weight of the appliance and battery cartridge(s) are shown in the table.

Applicable battery cartridge and charger

Battery cartridge	BL1815N / BL1820B / BL1830B / BL1840B / BL1850B / BL1860B
Charger	DC18RC / DC18RD / DC18RE / DC18SD / DC18SE / DC18SF / DC18SH / DC18WC

- Some of the battery cartridges and chargers listed above may not be available depending on your region of residence.

⚠ WARNING: Only use the battery cartridges and chargers listed above. Use of any other battery cartridges and chargers may cause injury and/or fire.

Symbols

The followings show the symbols which may be used for the equipment. Be sure that you understand their meaning before use.



Read the instruction manual.



A representative battery applicable to this product.



Ni-MH
Li-Ion

Only for EU countries
Due to the presence of hazardous components in the equipment, waste electrical and electronic equipment, accumulators and batteries may have a negative impact on the environment and human health. Do not dispose of electrical and electronic appliances or batteries with household waste!
In accordance with the European Directive on waste electrical and electronic equipment and on accumulators and batteries and waste accumulators and batteries, as well as their adaptation to national law, waste electrical equipment, batteries and accumulators should be stored separately and delivered to a separate collection point for municipal waste, operating in accordance with the regulations on environmental protection.
This is indicated by the symbol of the crossed-out wheeled bin placed on the equipment.

Intended use

The tool is intended for collecting dry dust.

SAFETY WARNINGS

Cordless cleaner safety warnings

⚠ WARNING: IMPORTANT! READ CAREFULLY all safety warnings and all instructions BEFORE USE. Failure to follow the warnings and instructions may result in electric shock, fire and/or serious injury.

1. Do not expose to rain. Store indoors.
2. Do not allow to be used as a toy. Close attention is necessary when used by or near children.
3. Use only as described in this manual. Use only manufacturer's recommended attachments.
4. Do not use with damaged battery. If appliance is not working as it should, has been dropped, damaged, left outdoors, or dropped into water, return it to a service center.
5. Do not handle appliance with wet hands.
6. Do not put any object into openings. Do not use with any opening blocked; keep free of dust, lint, hair, and anything that may reduce air flow.
7. Keep hair, loose clothing, fingers, and all parts of body away from openings and moving parts.

8. Turn off all controls before removing the battery.
9. Use extra care when cleaning on stairs.
10. Do not use to pick up flammable or combustible liquids, such as gasoline, or use in areas where they may be present.
11. Use only the charger supplied by the manufacturer to recharge.
12. Do not pick up anything that is burning or smoking, such as cigarettes, matches, or hot ashes.
13. Do not use without dust bag and/or filters in place.
14. Do not charge the battery outdoors.
15. Recharge only with the charger specified by the manufacturer. A charger that is suitable for one type of battery pack may create a risk of fire when used with another battery pack.
16. Use appliances only with specifically designed battery packs. Use of any other battery packs may create a risk of injury and fire.
17. When (the) battery pack is not in use, keep it away from other metal objects, like paper clips, coins, keys, nails, screws or other small metal objects, that can make a connection from one terminal to another.
18. Under abusive conditions, liquid may be ejected from the battery; avoid contact. If contact accidentally occurs, flush with water.
19. Do not use a battery pack or appliance that is damaged or modified. Damaged or modified batteries may exhibit unpredictable behaviour resulting in fire, explosion or risk of injury.
20. Do not expose a battery pack or appliance to fire or excessive temperature. Exposure to fire or temperature above 130 °C may cause explosion.
21. Follow all charging instructions and do not charge the battery pack or appliance outside the temperature range specified in the instructions. Charging improperly or at temperatures outside the specified range may damage the battery and increase the risk of fire.

SAVE THESE INSTRUCTIONS.

ADDITIONAL SAFETY RULES

This appliance is intended for household use.

1. Read this instruction manual and the charger instruction manual carefully before use.
2. Do not pick up the following materials:
 - Hot substances that are burning or smoking (cigarettes, matches, incense sticks, candles, hot ashes), sparks and metal dust generated by cutting or grinding metal, etc.
 - Flammable liquid (kerosene, gasoline, solvents such as benzine, thinner, etc.)
 - Flammable material (toner, paint, spray, etc.)
 - Explosive or pyrophoric substances (nitroglycerin, aluminum, magnesium, titanium, zinc, red phosphorus, yellow phosphorus, celluloid, etc. and their dust, gas or steam)

- Liquid, oil, wet dirt or damp garbage, including vomit and excreta
- Hard pieces with sharp edges (wood chips, metals, stones, glasses, nails, pins, razors or cutlery)
- Solidifying and conductive fine powder (metal or carbon powder)
- Foam like carpet cleaning agent, etc. (they may cause explosion or fire)
- Large amount of powder (flour, fire extinguisher powder, etc.)
- Substances that cause toxic symptoms
- Aggressive chemicals (acid, alkali, etc.)
- Fine binding powder such as cement
- Fine particle like concrete dust
- Desiccants
- Asbestos
- Pesticides

Such action may cause fire, injury and/or property damage.

To reduce your exposure to these chemicals, always wear approved respiratory protection such as dust masks that are specially designed to filter out microscopic particles. Direct the exhaust air away from your face and body.

3. **Stop operation immediately if you notice anything abnormal.**
4. **If you drop or strike the cleaner, check it carefully for cracks or damage before operation.**
5. **Do not bring close to stoves or other heat sources.**
6. **Do not block the intake hole or vent holes.**

SAVE THESE INSTRUCTIONS.

Important safety instructions for battery cartridge

1. **Before using battery cartridge, read all instructions and cautionary markings on (1) battery charger, (2) battery, and (3) product using battery.**
2. **Do not disassemble or tamper with the battery cartridge.** It may result in a fire, excessive heat, or explosion.
3. **If operating time has become excessively shorter, stop operating immediately.** It may result in a risk of overheating, possible burns and even an explosion.
4. **If electrolyte gets into your eyes, rinse them out with clear water and seek medical attention right away.** It may result in loss of your eyesight.
5. **Do not short the battery cartridge:**
 - (1) **Do not touch the terminals with any conductive material.**
 - (2) **Avoid storing battery cartridge in a container with other metal objects such as nails, coins, etc.**
 - (3) **Do not expose battery cartridge to water or rain.**

A battery short can cause a large current flow, overheating, possible burns and even a breakdown.

6. **Do not store and use the tool and battery cartridge in locations where the temperature may reach or exceed 50 °C (122 °F).**
7. **Do not incinerate the battery cartridge even if it is severely damaged or is completely worn out.** The battery cartridge can explode in a fire.
8. **Do not nail, cut, crush, throw, drop the battery cartridge, or hit against a hard object to the battery cartridge.** Such conduct may result in a fire, excessive heat, or explosion.
9. **Do not use a damaged battery.**

10. **The contained lithium-ion batteries are subject to the Dangerous Goods Legislation requirements.**

For commercial transports e.g. by third parties, forwarding agents, special requirement on packaging and labeling must be observed.

For preparation of the item being shipped, consulting an expert for hazardous material is required. Please also observe possibly more detailed national regulations.

Tape or mask off open contacts and pack up the battery in such a manner that it cannot move around in the packaging.

11. **When disposing of the battery cartridge, remove it from the tool and dispose of it in a safe place. Follow your local regulations relating to disposal of battery.**
12. **Use the batteries only with the products specified by Makita.** Installing the batteries to non-compliant products may result in a fire, excessive heat, explosion, or leak of electrolyte.
13. **If the tool is not used for a long period of time, the battery must be removed from the tool.**
14. **During and after use, the battery cartridge may take on heat which can cause burns or low temperature burns. Pay attention to the handling of hot battery cartridges.**
15. **Do not touch the terminal of the tool immediately after use as it may get hot enough to cause burns.**
16. **Do not allow chips, dust, or soil stuck into the terminals, holes, and grooves of the battery cartridge.** It may cause heating, catching fire, burst and malfunction of the tool or battery cartridge, resulting in burns or personal injury.
17. **Unless the tool supports the use near high-voltage electrical power lines, do not use the battery cartridge near high-voltage electrical power lines.** It may result in a malfunction or breakdown of the tool or battery cartridge.
18. **Keep the battery away from children.**

SAVE THESE INSTRUCTIONS.

⚠ CAUTION: Only use genuine Makita batteries. Use of non-genuine Makita batteries, or batteries that have been altered, may result in the battery bursting causing fires, personal injury and damage. It will also void the Makita warranty for the Makita tool and charger.

Tips for maintaining maximum battery life

1. Charge the battery cartridge before completely discharged. Always stop tool operation and charge the battery cartridge when you notice less tool power.
2. Never recharge a fully charged battery cartridge. Overcharging shortens the battery service life.
3. Charge the battery cartridge with room temperature at 10 °C - 40 °C (50 °F - 104 °F). Let a hot battery cartridge cool down before charging it.
4. When not using the battery cartridge, remove it from the tool or the charger.
5. Charge the battery cartridge if you do not use it for a long period (more than six months).

FUNCTIONAL DESCRIPTION

CAUTION: Always be sure that the tool is switched off and the battery cartridge is removed before adjusting or checking function on the tool.

CAUTION: Take care not to trap finger(s) between cleaner and battery as shown in diagram when loading battery. Trapping finger(s) may cause injury.

► Fig.1

Installing or removing battery cartridge

CAUTION: Always switch off the tool before installing or removing of the battery cartridge.

CAUTION: Hold the tool and the battery cartridge firmly when installing or removing battery cartridge. Failure to hold the tool and the battery cartridge firmly may cause them to slip off your hands and result in damage to the tool and battery cartridge and a personal injury.

To remove the battery cartridge, slide it from the tool while sliding the button on the front of the cartridge.

► Fig.2: 1. Red indicator 2. Button 3. Battery cartridge

To install the battery cartridge, align the tongue on the battery cartridge with the groove in the housing and slip it into place. Insert it all the way until it locks in place with a little click. If you can see the red indicator as shown in the figure, it is not locked completely.

CAUTION: Always install the battery cartridge fully until the red indicator cannot be seen. If not, it may accidentally fall out of the tool, causing injury to you or someone around you.

CAUTION: Do not install the battery cartridge forcibly. If the cartridge does not slide in easily, it is not being inserted correctly.

Tool / battery protection system

The tool is equipped with tool/battery protection system. This system automatically cuts off power to the motor to extend tool and battery life. The tool will automatically stop during operation if the tool or battery is placed under one of the following conditions.

Overloaded:

The tool/battery is operated in a manner that causes it to draw an abnormally high current.

In this situation, turn the tool off and stop the application that caused the tool to become overloaded. Then turn the tool on to restart.

Overheated:

The tool/battery is overheated. In this situation, let the tool/battery cool before turning the tool on again.

Low battery voltage:

The remaining battery capacity is too low and the tool will not operate. In this situation, remove and recharge the battery.

Protections against other causes:

Protection system is also designed for other causes that could damage the tool and allows the tool to stop automatically. Take all the following steps to clear the causes, when the tool has been brought to a temporary halt or stop in operation.

1. Turn the tool off, and then turn it on again to restart.
2. Charge the battery(ies) or replace it/them with recharged battery(ies).
3. Let the tool and battery(ies) cool down.

If no improvement can be found by restoring protection system, then contact your local Makita Service Center.

Indicating the remaining battery capacity

Only for battery cartridges with the indicator

► Fig.3: 1. Indicator lamps 2. Check button

Press the check button on the battery cartridge to indicate the remaining battery capacity. The indicator lamps light up for a few seconds.

Indicator lamps			Remaining capacity
Lighted	Off	Blinking	
■ ■ ■ ■	□	◐	75% to 100%
■ ■ ■	□	□	50% to 75%
■ ■	□	□	25% to 50%
■	□	□	0% to 25%
◐	□	□	Charge the battery.
■ ■ □ □	□	□	The battery may have malfunctioned.
□ □ ■ ■	□	□	

NOTE: Depending on the conditions of use and the ambient temperature, the indication may differ slightly from the actual capacity.





NOTE: The first (far left) indicator lamp will blink when the battery protection system works.

Switch action

► **Fig.4:** 1. Suction power change button 2. ON/OFF button

To start the cleaner, simply push the ON/OFF button. To switch off, push the ON/OFF button again.

You can change the suction power of the cleaner in four steps by pushing the suction power change button. Each push on this button repeats the Quiet/Normal/High/Max mode in a cycle.

Level	Indication	Mode
1		Quiet mode
2		Normal speed mode
3		High speed mode
4		Max speed mode

NOTE: You can change the suction power before turning on the cleaner.

NOTE: The cleaner starts the operation with the same suction power as the last operation.

Lighting up the lamp

CAUTION: Do not look in the light or see the source of light directly.

To turn on the lamp, push the suction power change button. The lamp goes off in approximately 10 seconds. While the cleaner is running, the lamp turns on. The lamp goes out approximately 10 seconds after stopping operation.

NOTE: When the remaining battery capacity gets low, the lamp starts blinking. The timing, at which the lamp starts blinking depends on the temperature at work place and the battery cartridge conditions.

► **Fig.5:** 1. Suction power change button 2. ON/OFF button 3. Lamp

ASSEMBLY

CAUTION: Always be sure that the tool is switched off and the battery cartridge is removed before carrying out any work on the tool.

Parts description

Optional accessory

High performance filter and stay and sponge filter

► **Fig.6:** 1. Capsule 2. High performance filter 3. Stay 4. Sponge filter

Prefilter or high performance filter and HEPA filter

► **Fig.7:** 1. Capsule 2. Prefilter 3. High performance filter 4. HEPA filter

NOTICE: Do not underlay the high performance filter with an optional filter (non-woven cloth). The filters could not be removed from the cleaner.

NOTE: Do not install an optional filter (non-woven cloth) between the HEPA filter and prefilter. The suction power may be reduced.

NOTE: Always use the high performance filter that is framed with an originally-designed stay when overlaying it on the HEPA filter.

► **Fig.8:** 1. High performance filter 2. Stay (designed for high performance filter)

Disposing of dust

CAUTION: Empty the cleaner before it becomes too full, or the suction force weakens.

CAUTION: Be sure to empty the inside of the cleaner itself of dust. Failure to do so may cause the filter to be clogged or the motor to be damaged.

In order to drop dust sticking on the filter in the capsule, tap the capsule 4 or 5 times with your hand.

► **Fig.9:** 1. Capsule

Point suction inlet downwards, turn capsule in direction of arrow in diagram, and disconnect capsule slowly and straight.

► **Fig.10:** 1. Capsule 2. Suction inlet

NOTE: Dust may spill out when capsule is opened, so be sure to set a garbage bag beneath capsule.

Remove accumulated dust from the inside of capsule and high performance filter.

► **Fig.11:** 1. Capsule 2. High performance filter

Twist high performance filter in direction of arrow to unfasten securing lip from cleaner unit and then pull off the filter.

► **Fig.12:** 1. Securing lip

NOTE: When using the prefilter, also follow the procedure above.

Clean out the fine dust and lightly tap to dislodge dust from high performance filter.

Reassembly

Connect high performance filter. At this time, make sure to twist high performance filter so that securing lip is firmly locked into the cleaner unit.

► **Fig.13:** 1. High performance filter

► **Fig.14:** 1. Securing lip

NOTICE: Always be sure to check that high performance filter is loaded correctly prior to using cleaner. If it is not loaded correctly, dust will get into the motor housing, and cause motor failure.

If the problem as described later occurs, high performance filter is not loaded correctly. Reload it correctly to rectify problem.

Attach the capsule. Align the mark on capsule with the mark on the handle and then firmly twist capsule in the direction of arrow until it is secured.

► **Fig.15:** 1. Mark 2. Handle 3. Capsule

NOTE: Always remove dust ahead of time, as suction power will be reduced if there is too much dust in cleaner.

Problem Example

The securing lip of high performance filter is not firmly locked into groove of cleaner housing.

► **Fig.16:** 1. Securing lip 2. Groove of cleaner housing

Installing or removing stay / HEPA filter

Optional accessory

For the stay and sponge filter

To remove the stay, push up the bottom part of pillars of the stay with your fingers and release its groove from the protrusion on the cleaner. After that, remove the sponge filter.

► **Fig.17:** 1. Stay 2. Sponge filter

To install, align the grooves on the stay with the protrusion on the cleaner and push until it clicks.

Insert the sponge filter between the pillars and set it in the original position.

For the HEPA filter

When installing the HEPA filter, fit the groove of the HEPA filter with the protrusion on the cleaner. Then, put the prefilter or the high performance filter on the HEPA filter and twist it to secure. To remove, follow the installation procedure in reverse.

► **Fig.18:** 1. HEPA filter 2. Prefilter

► **Fig.19:** 1. HEPA filter 2. High performance filter

OPERATION

CAUTION: Do not move your face close to the air vent when operating the cleaner. If foreign objects are blown into eyes, it may result in personal injury.

Installing and removing cleaner attachments

CAUTION: After installing attachments, check if they are securely installed. If the attachments are installed imperfectly, they may come off and cause personal injury.

CAUTION: Be careful not to hit your hand on the wall etc. when removing the attachments.

When using attachment with lock function

To install attachment, insert it to the suction inlet of the cleaner until it clicks. Make sure that the attachment is locked.

► **Fig.20:** 1. Suction inlet 2. Attachment with lock function 3. Hook 4. Release button

NOTICE: When installing the attachment with lock function, be sure to align the release button on the cleaner with the hook on the attachment. If they are not aligned, the attachment will not be locked and may come off from the cleaner.

To remove, pull the attachment while pushing the release button.

► **Fig.21:** 1. Release button 2. Attachment with lock function

When using attachment without lock function

CAUTION: To connect attachment without lock function, twist and insert it in direction of the arrow to secure the connection during use. To disconnect the attachment, twist and extract it also in direction of the arrow. If the attachment is twisted in the opposite direction, the capsule may become loose.

► **Fig.22**

Cleaning (Suction)

Nozzle

Attach the nozzle to clean off tables, desks, furniture, etc. The nozzle slips on easily.

► **Fig.23:** 1. Nozzle

Nozzle + Extension wand (Straight pipe)

The extension wand fits in between the nozzle and the cleaner itself. This arrangement is convenient for cleaning a floor in a standing position.

► **Fig.24:** 1. Cleaner body 2. Extension wand (Straight pipe) 3. Nozzle

Sash nozzle

Fit on the sash nozzle for cleaning corners and crevices of a car or furniture.

► **Fig.25:** 1. Sash nozzle 2. Cleaner body

You can store the sash nozzle in the nozzle holder.

► **Fig.26:** 1. Nozzle holder 2. Sash nozzle

CAUTION: Be careful not to trap finger(s) between the sash nozzle and the nozzle holder. Trapping finger(s) may cause injury.

Sash nozzle + Extension wand (Straight pipe)

In tight quarters where the cleaner itself cannot squeeze in, or in high places hard to reach, use this arrangement.

- **Fig.27:** 1. Sash nozzle 2. Extension wand (Straight pipe) 3. Cleaner body

Cleaning without nozzle

You can pick up powder and dust without nozzle.

- **Fig.28**

For picking up dust on a floor in a standing position, it is convenient to attach the extension wand to the cleaner.

- **Fig.29:** 1. Extension wand (Straight pipe)

MAINTENANCE

CAUTION: Always be sure that the tool is switched off and the battery cartridge is removed before attempting to perform inspection or maintenance.

To maintain product SAFETY and RELIABILITY, repairs, any other maintenance or adjustment should be performed by Makita Authorized or Factory Service Centers, always using Makita replacement parts.

After use

CAUTION: Putting the cleaner against the wall without any other support may cause the cleaner to fall down, resulting in personal injury or damage to the cleaner.

- **Fig.30**

Cleaning

CAUTION: Clean filters when they become clogged. Continuing use in the clogged condition may result in heating or fire.

NOTICE: Never use gasoline, benzine, thinner, alcohol or the like. Discoloration, deformation or cracks may result.

NOTICE: Do not blow dust sticking on the cleaner and filters by air duster. It brings dust into the housing and causes failure.

NOTICE: After washing filters, dry them thoroughly before use. Insufficiently dried filters may cause poor suction and shorten the service life of the motor.

NOTICE: After cleaning filters and sponge filter, be sure to re-install them before use. If you use the cleaner without filters and sponge filter, dust comes into the motor housing and cause malfunction.

Cleaner body

From time to time wipe off the outside (cleaner body) of the cleaner using a cloth dampened in soapy water. Clean out also the suction opening and filter mounting area.

- **Fig.31**

High performance filter

Wash the filter in soapy water when it is clogged with dust and the cleaner power becomes weak. Dry it out thoroughly before use.

- **Fig.32**

HEPA filter

Optional accessory

NOTICE: Do not rub or scratch the HEPA filter with hard objects such as a brush and a paddle.

Clogged HEPA filter causes poor suction performance. Clean out the filter from time to time.

Occasionally wash the HEPA filter in water, rinse and dry thoroughly in the shade before use. Never wash the filter in a washing machine.

- **Fig.33**

Sponge filter

When the sponge filter becomes dirty, clean it as follows.

1. Remove filters that cover the stay.
2. Pull out the sponge filter from between the pillars.
3. Clean the sponge filter by tapping or washing. If you wash it, dry it out thoroughly before use.
4. Insert the sponge filter between the pillars and set it in the original position. Make sure that each bottom edge of the pillar holds down the sponge filter, and there is no gap between the sponge filter and suction opening.

- **Fig.34:** 1. Sponge filter 2. Bottom edge of pillar

Wall mount for cordless cleaner

Optional accessory

NOTE: The screw to mount the holder is not included. Prepare a screw which fits with the material to screw into.

Attach the wall mount for cordless cleaner to a hard wooden wall, beam or column, where the wall mount for cordless cleaner can be firmly secured. Always be sure that the wall mount for cordless cleaner is securely attached before hanging the cleaner.

- **Fig.35:** 1. Wall mount for cordless cleaner

CAUTION: Do not hang the cleaner to the wall mount violently or hang other appliances than the cleaner.

Troubleshooting

Before asking for repairs, check the following points.

Symptom	Area to be investigated	Fixing method
Weak suction power	Is the capsule full of dust?	Empty the capsule of dust.
	Is the filter clogged?	Clean or wash the filter.
	Is the battery cartridge discharged?	Charge the battery cartridge.
Not working	Is the battery cartridge discharged?	Charge the battery cartridge.
Noise and vibration	Is the filter clogged?	Clean or wash the filter.
	Is the nozzle, pipe or suction inlet of the appliance is clogged?	Remove the clogged objects in the nozzle, pipe or suction inlet of the appliance.
	Is the nozzle/pipe inlet blocked?	Do not block the nozzle/pipe inlet.

⚠ CAUTION: Do not attempt to repair the cleaner by yourself.

OPTIONAL ACCESSORIES

⚠ CAUTION: These accessories or attachments are recommended for use with your Makita tool specified in this manual. The use of any other accessories or attachments might present a risk of injury to persons. Only use accessory or attachment for its stated purpose.

If you need any assistance for more details regarding these accessories, ask your local Makita Service Center.

- Extension wand (Straight pipe)
- Nozzle
- Nozzle for carpet
- Shelf brush
- Sash nozzle
- Round brush
- Flexible hose
- Filter (non-woven cloth)
- Prefilter
- High performance filter
- HEPA filter
- Seat nozzle
- Crevice nozzle
- Wall mount for cordless cleaner
- Cyclone unit
- Cyclone attachment
- Tool bag
- Makita genuine battery and charger

NOTE: Some items in the list may be included in the tool package as standard accessories. They may differ from country to country.

Cyclone attachment

Optional accessory

- **Fig.36:** 1. Release button 2. Hook 3. Extension wand (Straight pipe) 4. Cyclone attachment 5. Suction inlet

About the cyclone attachment

Using the cleaner with the cyclone attachment installed reduces the amount of dust that enters the capsule, which helps to prevent the suction force from weakening. In addition, cleaning after use is also simple.

⚠ CAUTION: Always be sure that the tool is switched off and the battery cartridge is removed before carrying out any work on the tool. If the battery cartridge is left inserted, the cleaner may start unexpectedly and result in injury.

⚠ CAUTION: Clean the mesh filter of the cyclone attachment and the filters of the cleaner unit when they become clogged. Continuing use in the clogged condition may result in heating or smoke.

NOTICE: When the cyclone attachment is attached, do not use the cleaner in a horizontal or upward facing position. Doing so may cause the mesh filter to become clogged.

NOTICE: Always use the cleaner with the filters installed, even when using the cyclone attachment. Using the cleaner without the filters installed may result in a motor malfunction.

NOTE: Check that the cyclone attachment, cleaner, and extension wand (straight pipe) are locked properly before use.

NOTE: Empty the dust case of the cyclone attachment and the capsule of the cleaner when dust has accumulated. Continuing use will result in weakened suction force.

NOTE: You can also use the cyclone attachment without lock function.

NOTE: To install or remove the cyclone attachment, refer to the section "Installing and removing cleaner attachments".

Disposing of dust

When dust has accumulated up to the full line of the dust case, follow the procedure below and dispose of the dust.

1. Hold the dust case firmly, press and hold the two buttons, and remove the dust case.

► **Fig.37:** 1. Full line 2. Dust case 3. Button (two locations) 4. Mesh filter

2. Dispose of the dust inside the dust case and remove any dust and powder adhered to the surface of the mesh filter.

3. Insert the dust case all the way until the two buttons lock with a click.

► **Fig.38:** 1. Dust case 2. Button (two locations)

⚠ CAUTION: When reassembling the dust case, be careful not to pinch your fingers.

NOTE: Check that the cyclone attachment, cleaner, and extension wand (straight pipe) are locked properly before restarting operation.

NOTE: If the suction force does not recover even after disposing of the dust and cleaning the mesh filter, check whether dust has accumulated in the capsule of the cleaner or clogging has occurred.

NOTE: The dust may fly up when disposing from the cyclone attachment. Be careful not to let dust get into your eyes.

Cleaning

⚠ CAUTION: After washing the cyclone attachment, dry it thoroughly before use. Insufficiently dried components may cause an electrical shock or damage to the appliance.

When the dust case becomes dirty or the mesh filter is clogged, remove and wash them with water. (Refer to "Disposing of dust" for the removal procedure.)

Dry the parts thoroughly before reinstallation and use.

► **Fig.39:** 1. Dust case 2. Mesh filter

When the mesh filter gets dirty badly, clean it in the following procedures.

1. Turn the mesh filter in the direction of the arrow and remove it while the hooks are unlocked.

► **Fig.40:** 1. Mesh filter 2. Hook

2. Remove the dust on the mesh filter and then wash it with water. After that, dry it thoroughly.

3. Insert the mesh filter into the base while the hooks are aligned with the port. Turn the mesh filter in the direction of the arrow until the hooks are locked with a click. Make sure that the mesh filter is installed securely.

► **Fig.41:** 1. Mesh filter 2. Hook 3. Port

OSTRZEŻENIE

- Niniejsze urządzenie może być użytkowane przez dzieci w wieku powyżej 8 lat oraz przez osoby niebędące w pełni władzy fizycznych, poznawczych i umysłowych lub nieposiadające doświadczenia ani wiedzy, o ile osoba odpowiedzialna za ich bezpieczeństwo zapewni odpowiedni nadzór i przekaze wskazówki dotyczące użytkowania urządzenia oraz zagrożeń z nimi związanych.
- Urządzenie nie jest przeznaczone do zabawy nim przez dzieci. Czyszczenie oraz konserwacja nie mogą być przeprowadzane przez dzieci bez nadzoru.
- Informacje na temat zalecanych akumulatorów zawiera rozdział „DANE TECHNICZNE”.
- Sposób montażu i demontażu opisano w punkcie „Wkładanie i wyjmowanie akumulatora”.
- Jeśli zajdzie konieczność utylizacji akumulatora, należy wyjąć go z narzędzia i przekazać w bezpieczne miejsce. Postępować zgodnie z przepisami lokalnymi dotyczącymi usuwania akumulatorów.
- Jeśli narzędzie nie będzie używane przez dłuższy czas, należy wyjąć z niego akumulator.
- Nie doprowadzać do zwarcia akumulatora.
- Szczegółowe informacje na temat środków ostrożności podczas konserwacji wykonywanej przez użytkownika zawiera rozdział „KONSERWACJA”.

DANE TECHNICZNE

Model:		DCL284F
Pojemność		730 ml
Użytkowanie ciągłe (z akumulatorem BL1830B)	1 (tryb cichy)	Okolo 38 min
	2 (tryb normalnej prędkości)	Okolo 21 min
	3 (tryb wysokiej prędkości)	Okolo 15 min
	4 (tryb maks. prędkości)	Okolo 8 min
Długość całkowita (z rurą, końcówką i akumulatorem BL1830B)		1 066 mm
Napięcie znamionowe		Prąd stały 18 V
Masa netto		1,3–1,7 kg

- W związku ze stale prowadzonym przez naszą firmę programem badawczo-rozwojowym niniejsze dane mogą ulec zmianom bez wcześniejszego powiadomienia.
- Dane techniczne mogą różnić się w zależności od kraju.
- Waga nie uwzględnia akcesoriów (oprócz akumulatorów). Wagi najlżejszych i najcięższych kombinacji urządzenia z akumulatorami przedstawiono w tabeli.

Kompatybilne akumulatory i ładowarki

Akumulator	BL1815N / BL1820B / BL1830B / BL1840B / BL1850B / BL1860B
Ładowarka	DC18RC / DC18RD / DC18RE / DC18SD / DC18SE / DC18SF / DC18SH / DC18WC

- Pewne z wymienionych powyżej akumulatorów i ładowarek mogą być niedostępne w regionie zamieszkania użytkownika.

⚠ OSTRZEŻENIE: Należy używać wyłącznie akumulatorów i ładowarek wymienionych powyżej. Używanie innych akumulatorów i ładowarek może stwarzać ryzyko wystąpienia obrażeń ciała lub pożaru.

Symbole

Poniżej pokazano symbole, jakie mogą być zastosowane na urządzeniu. Przed rozpoczęciem użytkowania należy zapoznać się z ich znaczeniem.



Przeczytać instrukcję obsługi.



Przykładowy akumulator do zastosowania z tym produktem.



Dotyczy tylko państw UE
Z uwagi na obecność w sprzęcie niebezpiecznych składników, zużyty sprzęt elektryczny, elektroniczny, akumulatory oraz baterie mogą powodować negatywny wpływ na środowisko i zdrowie ludzi. Nie wyrzucaj urządzeń elektrycznych, elektronicznych lub akumulatorów wraz z odpadami z gospodarstwa domowego! Zgodnie z Europejską Dyrektywą w sprawie zużytego sprzętu elektrycznego i elektronicznego oraz dotyczącą akumulatorów i baterii oraz zużytych akumulatorów i baterii, a także dostosowaniem ich do prawa krajowego, zużyte urządzenia elektryczne, elektroniczne, baterie i akumulatory, należy składować osobno i przekazywać do punktu selektywnej zbiórki odpadów komunalnych, działającego zgodnie z przepisami dotyczącymi ochrony środowiska.
Informuje o tym symbol przekreślonego kołowego kontenera na odpady umieszczony na sprzęcie.

Przeznaczenie

To narzędzie jest przeznaczone do odsysania suchego pyłu.

OSTRZEŻENIA DOTYCZĄCE BEZPIECZEŃSTWA

Ostrzeżenia dotyczące bezpieczeństwa dla odkurzacza akumulatorowego

⚠ OSTRZEŻENIE: WAŻNE! UWAŻNIE PRZECZYTAĆ wszystkie zasady bezpieczeństwa i zalecenia **PRZED UŻYCIEM**. Niezastosowanie się do wspomnianych ostrzeżeń i instrukcji może doprowadzić do porażenia prądem elektrycznym, pożaru i/lub poważnych obrażeń ciała.

1. **Należy chronić przed deszczem. Przechowywać w pomieszczeniu.**
2. **Nie pozwalać dzieciom bawić się urządzeniem. Należy zachować szczególną ostrożność, kiedy odkurzacz jest używany w pobliżu lub przez dzieci.**
3. **Używać tylko zgodnie z niniejszą instrukcją. Należy używać tylko akcesoriów zalecanych przez producenta.**

4. **Nie używać urządzenia z uszkodzonym akumulatorem. Jeśli urządzenie nie działa prawidłowo, zostało upuszczone, uszkodzone, pozostawione na zewnątrz lub wpadło do wody, należy je oddać do punktu serwisowego.**
5. **Nie wolno obsługiwać urządzenia mokrymi dłońmi.**
6. **Nie wkładać żadnych przedmiotów w otwory urządzenia. Nie używać urządzenia z zablokowanymi otworami; usuwać pył, kłaczki, włosy i wszystko, co może ograniczyć przepływ powietrza.**
7. **Nie zbliżać włosów, luźnej odzieży, palców ani innych części ciała do otworów i ruchomych części.**
8. **Przed wyjęciem akumulatora należy wyłączyć wszystkie elementy sterowania.**
9. **Zachować szczególną ostrożność podczas sprzątania na schodach.**
10. **Nie używać do zbierania palnych lub łatwopalnych cieczy, takich jak benzyna, ani nie używać w miejscach, gdzie mogą występować.**
11. **Akumulator należy ładować wyłącznie przy użyciu ładowarki dostarczonej przez producenta.**
12. **Nie zbierać niczego, co się pali lub dymi, na przykład papierosów, zapalek lub gorącego popiołu.**
13. **Nie używać bez założonych filtrów i/lub worka na pył.**
14. **Nie ładować akumulatora na zewnątrz.**
15. **Akumulator należy ładować wyłącznie przy użyciu określonej przez producenta ładowarki. Ładowarka przeznaczona do jednego typu akumulatora może stwarzać zagrożenie pożarem, gdy będzie używana do ładowania innego akumulatora.**
16. **Do zasilania urządzeń należy używać tylko specjalnie do tego celu przeznaczonych akumulatorów. Używanie innych akumulatorów może stwarzać ryzyko wystąpienia obrażeń ciała lub pożaru.**
17. **Gdy akumulator nie jest używany, należy zabezpieczyć go przed kontaktem z metalowymi przedmiotami, takimi jak spinacze, monety, klucze, gwoździe, wkręty lub inne metalowe drobiazgi, które mogą powodować zwarcie styków akumulatora.**
18. **W niewłaściwych warunkach eksploatacji może dojść do wycieku elektrolitu z akumulatora. Nie należy go dotykać. W razie przypadkowego kontaktu należy przemyć skażoną skórę wodą.**
19. **Nie używać uszkodzonego lub przerobionego akumulatora ani urządzenia. Uszkodzone lub przerobione akumulatory mogą działać w nieprzewidywalny sposób i spowodować pożar, wybuch lub obrażenia ciała.**
20. **Nie wystawiać akumulatora ani urządzenia na działanie ognia ani nadmiernej wysokiej temperatury. Narażenie na ogień lub temperaturę wyższą niż 130°C może spowodować wybuch.**

21. **Przestrzegać wszystkich instrukcji ładowania i nie ładować akumulatora ani urządzenia w temperaturze wykraczającej poza zakres określony w instrukcji.** Nieprawidłowe ładowanie lub ładowanie w temperaturze wykraczającej poza określony zakres może spowodować uszkodzenie akumulatora oraz wzrost zagrożenia pożarem.

ZACHOWAĆ NINIEJSZĄ INSTRUKCJĘ.

DODATKOWE ZALECENIA DOTYCZĄCE BEZPIECZEŃSTWA

Urządzenie jest przeznaczone do zastosowań domowych.

1. **Przed rozpoczęciem pracy przeczytaj dokładnie niniejszy podręcznik obsługi oraz podręcznik obsługi ładowarki.**
2. **Nie wciągaj do urządzenia następujących materiałów:**
 - Gorących substancji, które palą się lub dymią (papierosy, zapalki, kadzidełka, świeczki, gorący popiół), iskier i metalowego pyłu powstałych na skutek cięcia lub szlifowania metalu itp.
 - Palnych cieczy (nafty, benzyny, rozpuszczalników takich jak benzyna ekstrakcyjna, rozcieńczalniki itd.)
 - Palnych materiałów (tonera, farby, sprayy itd.)
 - Substancji wybuchowych lub samoopalnych (nitrogliceryny, glinu, magnezu, tytanu, cynku, czerwonego fosforu, żółtego fosforu, celulozoidu ani powstałych z nich pyłów, gazów lub pary)
 - Płynu, oleju, wilgotnych zanieczyszczeń oraz śmieci, w tym wymiotów i wydzielin
 - Twardych elementów o ostrych brzegach (wióry drewniane, metale, kamienie, szkło, gwoździe, kołki, żyłki czy sztućce)
 - Drobnych proszków utwardzających i przewodzących (metalowy lub węglowy proszek)
 - Piany, na przykład środka do czyszczenia dywanów itp. (może spowodować wybuch lub pożar)
 - Dużych ilości proszków (mąka, proszek gaśniczy itp.)
 - Substancji o działaniu toksycznym
 - Substancji chemicznych o silnym działaniu (kwasy, zasady itp.)
 - Silnie wiążących proszków, takich jak cement
 - Drobnych cząstek, takich jak pył betonowy
 - Środków osuszających
 - Azbestu
 - Pestycydów

Takie działania mogą spowodować pożar, obrażenia ciała i/lub straty materialne.

Aby zmniejszyć narażenie na kontakt z powyższymi substancjami chemicznymi, należy używać zatwierdzonych środków ochrony dróg oddechowych, takich jak maski przeciwpyłowe przeznaczone do odfiltrowywania mikroskopijnych cząstek. Kierowca powietrze wylotowe z dala od twarzy i ciała.

3. **Natychmiast przerwać pracę po zauważeniu jakiegokolwiek nieprawidłowości.**
4. **Kiedy odkurzacz zostanie upuszczony lub uderzony, to przed uruchomieniem należy sprawdzić, czy nie jest uszkodzony, pęknięty itd.**
5. **Nie należy go zbliżać do pieców ani innych źródeł ciepła.**
6. **Nie wolno zakrywać otworu wlotowego ani otworów wentylacyjnych.**

ZACHOWAĆ NINIEJSZĄ INSTRUKCJĘ.

Ważne zasady bezpieczeństwa dotyczące akumulatora

1. **Przed użyciem akumulatora zapoznać się ze wszystkimi instrukcjami i znakami ostrzegawczymi na (1) ładowarce, (2) akumulatorze i (3) produkcie, w którym będzie używany akumulator.**
2. **Nie rozmontowywać ani modyfikować akumulatora.** Może to spowodować pożar, przegrzanie lub wybuch.
3. **Jeśli czas działania uległ znacznemu skróceniu, należy natychmiast przerwać pracę.** Może bowiem dojść do przegrzania, ewentualnych poparzeń, a nawet eksplozji.
4. **W przypadku przedostania się elektrolitu do oczu, przemyć je czystą wodą i niezwłocznie uzyskać pomoc lekarską.** Może on bowiem spowodować utratę wzroku.
5. **Nie doprowadzać do zwarcia akumulatora:**
 - (1) **Nie dotykać styków materiałami przewodzącymi prąd.**
 - (2) **Unikać przechowywania akumulatora w pojemniku z metalowymi przedmiotami, takimi jak gwoździe, monety itp.**
 - (3) **Chronić akumulator przed deszczem lub wodą.**Zwarcie prowadzi do przepływu prądu elektrycznego o dużym natężeniu i przegrzania akumulatora, co w konsekwencji może grozić poparzeniami a nawet awarią urządzenia.
6. **Narzędzia i akumulatora nie wolno przechowywać ani używać w miejscach, w których temperatura osiąga bądź przekracza 50°C (122°F).**
7. **Akumulatorów nie wolno spalać, również tych poważnie uszkodzonych lub całkowicie zużytych.** Akumulator może eksplodować w ogniu.
8. **Nie należy przecinać ani zgniatać akumulatora, bijać w niego gwoździ, rzucać nim, upuszczać, ani uderzać akumulatorem o twarde obiekty.** Takie działanie może spowodować pożar, przegrzanie lub wybuch.

9. Nie wolno używać uszkodzonego akumulatora.
10. Stanowiące wyposażenie akumulatory litowo-jonowe podlegają przepisom dotyczącym produktów niebezpiecznych.

Na potrzeby transportu komercyjnego, np. świadczonych przez firmy trzecie czy spedycyjne, należy przestrzegać specjalnych wymagań w zakresie pakowania i oznaczania etykietami. Przygotowanie produktu do wysyłki wymaga skonsultowania się ze specjalistą ds. materiałów niebezpiecznych. Należy także przestrzegać przepisów krajowych, które mogą być bardziej szczegółowe.

Zakleić taśmą lub zaślepić otwarte styki akumulatora oraz zabezpieczyć go, aby nie mógł się przesuwać w opakowaniu.

11. Jeśli zajdzie konieczność utylizacji akumulatora, należy wyjąć go z narzędzia i przekazać w bezpieczne miejsce. Postępować zgodnie z przepisami lokalnymi dotyczącymi utylizacji akumulatorów.
12. Używać akumulatorów tylko z produktami określonymi przez firmę Makita. Zastosowanie akumulatorów w niezgodnych produktach może spowodować pożar, przegrzanie, wybuch lub wyciek elektrolitu.
13. Jeśli narzędzie nie będzie używane przez dłuższy czas, należy wyjąć z niego akumulator.
14. Przed użyciem akumulatora i po jego użyciu akumulator może pozostawać nagrzany, co może spowodować poparzenia lub poparzenia w niskiej temperaturze. Z gorącym akumulatorem należy obchodzić się ostrożnie.
15. Nie należy dotykać styku narzędzia bezpośrednio po jego użyciu, ponieważ może on być na tyle gorący, że spowoduje oparzenia.
16. Nie należy dopuszczać, aby wióry, kurz lub brud gromadziły się na stykach, w otworach i rowkach akumulatora. Może to doprowadzić do przegrzania, pożaru, wybuchu lub uszkodzenia narzędzia lub akumulatora, co może spowodować oparzenia lub obrażenia ciała.
17. Jeśli narzędzie nie jest przeznaczone do użytku w pobliżu linii wysokiego napięcia, nie należy korzystać z akumulatora w ich sąsiedztwie. Może to spowodować nieprawidłowości w działaniu lub uszkodzenie narzędzia lub akumulatora.
18. Przechowywać akumulator w miejscu niedostępnym dla dzieci.

ZACHOWAĆ NINIEJSZE INSTRUKCJE.

⚠ PRZESTROGA: Używać wyłącznie oryginalnych akumulatorów firmy Makita. Używanie nieoryginalnych akumulatorów firm innych niż Makita lub akumulatorów, które zostały zmodyfikowane, może spowodować wybuch akumulatora i pożar, obrażenia ciała oraz zniszczenie mienia. Stanowi to również naruszenie warunków gwarancji firmy Makita dotyczących narzędzia i ładowarki.

Wskazówki dotyczące zachowania maksymalnej trwałości akumulatora

1. Akumulator należy naładować zanim zostanie do końca rozładowany. Po zauważeniu spadku mocy narzędzia należy przerwać pracę i naładować akumulator.
2. Nie wolno ładować powtórnie w pełni naładowanego akumulatora. Przeladowanie akumulatora skraca jego trwałość.
3. Akumulator należy ładować w temperaturze pokojowej w przedziale 10–40°C (50–104°F). W przypadku gorącego akumulatora przed przystąpieniem do ładowania należy poczekać, aż ostygnie.
4. Jeśli akumulator nie jest używany, należy go wyjąć z narzędzia lub ładowarki.
5. Akumulatory niklowo-wodorkowe należy naładować po okresie długiego nieużytkowania (dłuższego niż sześć miesięcy).

OPIS DZIAŁANIA

⚠ PRZESTROGA: Przed przystąpieniem do regulacji lub przeglądu narzędzia upewnić się, że jest ono wyłączone, a akumulator został wyjęty.

⚠ PRZESTROGA: Należy uważać, aby palce nie uwięzły pomiędzy korpusem odkurzacza a akumulatorem podczas ładowania akumulatora, jak pokazano na ilustracji. Grozi to zranieniem.

► Rys.1

Wkładanie i wyjmowanie akumulatora

⚠ PRZESTROGA: Przed włożeniem lub wyjęciem akumulatora należy zawsze wyłączyć narzędzie.

⚠ PRZESTROGA: Podczas wkładania lub wyjmowania akumulatora należy mocno trzymać narzędzie i akumulator. W przeciwnym razie mogą się one wyslizgnąć z rąk, powodując uszkodzenie narzędzia lub akumulatora i obrażenia ciała.

Aby wyjąć akumulator, przesunąć przycisk znajdujący się w przedniej jego części i wysunąć akumulator.

► Rys.2: 1. Czerwony wskaźnik 2. Przycisk 3. Akumulator

Aby włożyć akumulator, wyrównać występ na akumulatorze z rowkiem w obudowie i wsunąć go na swoje miejsce. Akumulator należy wsunąć do oporu, aż się zatrzaśnie na miejscu, co jest sygnalizowane delikatnym kliknięciem. Jeśli jest widoczny czerwony wskaźnik pokazany na rysunku, akumulator nie został całkowicie zablokowany.

⚠ PRZESTROGA: Akumulator należy włożyć do końca, tak aby czerwony wskaźnik nie był widoczny. W przeciwnym razie może przypadkowo wypaść z narzędzia, powodując obrażenia operatora lub osób postronnych.

⚠ PRZESTROGA: Nie wkładać akumulatora na siłę. Jeśli akumulator nie daje się swobodnie wsunąć, oznacza to, że został włożony nieprawidłowo.

Układ zabezpieczenia narzędzia/akumulatora

Narzędzie jest wyposażone w układ zabezpieczenia narzędzia/akumulatora. Układ automatycznie odcina zasilanie silnika w celu wydłużenia trwałości narzędzia i akumulatora. Narzędzie zostanie automatycznie zatrzymane podczas pracy w następujących sytuacjach związanych z narzędziem lub akumulatorem.

Przeciążenie:

Narzędzie/akumulator pracuje w sposób, który powoduje pobór nadmiernie wysokiego prądu.

W takiej sytuacji należy wyłączyć narzędzie i zaprzestać wykonywania czynności powodującej przeciążenie narzędzia. Następnie należy włączyć narzędzie w celu jego ponownego uruchomienia.

Przegrzanie:

Nastąpiło przegranie narzędzia/akumulatora. W takiej sytuacji należy odczekać, aż narzędzie/akumulator ostygnie przed ponownym włączeniem narzędzia.

Niskie napięcie akumulatora:

Poziom naładowania akumulatora jest zbyt niski, aby narzędzie mogło pracować. W takiej sytuacji należy wyjąć akumulator i go naładować.

Inne zabezpieczenia:

Układ zabezpieczający jest także przeznaczony do ochrony przed innymi czynnikami, które mogłyby doprowadzić do uszkodzenia narzędzia, i umożliwiają automatyczne zatrzymanie narzędzia. Należy wykonać poniższe kroki, aby usunąć przyczyny tymczasowego wstrzymania lub zatrzymania pracy narzędzia.

1. Wyłączyć narzędzie, a następnie włączyć je ponownie w celu zrestartowania.
2. Naładować akumulatory lub zastąpić je (lub jeden z nich) naładowanymi akumulatorami.
3. Pozostawić narzędzie i akumulator (akumulatory) do ostygnięcia.

Jeśli przywrócenie działania układu zabezpieczającego nie przynosi pozytywnych efektów, należy skontaktować się z lokalnym centrum serwisowym Makita.

Wskazanie stanu naładowania akumulatora

Tylko w przypadku akumulatorów ze wskaźnikiem

► **Rys.3:** 1. Lampki wskaźnika 2. Przycisk kontrolny

Nacisnąć przycisk kontrolny na akumulatorze w celu wyświetlenia stanu naładowania akumulatora. Lampki wskaźnika zaświecą się przez kilka sekund.

Lampki wskaźnika			Pozostała energia akumulatora
Świeci się	Wyłączony	Miga	
			75–100%
			50–75%
			25–50%
			0–25%
			Naładować akumulator.
			Akumulator może nie działać poprawnie.

WSKAZÓWKA: Zależnie od warunków użytkowania i temperatury otoczenia, wskaźwany poziom może nieznacznie się różnić od rzeczywistego stanu naładowania akumulatora.

WSKAZÓWKA: Pierwsza (skrajnie po lewej stronie) lampka wskaźnika miga, gdy układ zabezpieczenia akumulatora jest aktywny.

Działanie przełącznika

► **Rys.4:** 1. Przycisk zmiany siły ssania 2. Przycisk WŁ./WYŁ.

Aby uruchomić odkurzacz, wystarczy nacisnąć przycisk WŁ./WYŁ. Aby wyłączyć, należy ponownie nacisnąć przycisk WŁ./WYŁ.

Dostępne są cztery stopnie zmiany siły ssania; aby je zmienić, należy nacisnąć przycisk zmiany siły ssania. Każde naciśnięcie tego przycisku powoduje cykliczną zmianę trybów w następującej kolejności: tryb cichy/normalnej prędkości/wysokiej prędkości/maksymalnej prędkości.

Poziom	Wskazanie	Tryb
1		Tryb cichy
2		Tryb normalnej prędkości
3		Tryb wysokiej prędkości
4		Tryb maks. prędkości

WSKAZÓWKA: Siłę ssania można zmienić przed włączeniem odkurzacza.

WSKAZÓWKA: Odkurzacz rozpoczyna pracę z taką samą siłą ssania, jak podczas ostatniego działania.

Włączanie lampki

⚠ PRZESTROGA: Nie patrzeć na światło ani bezpośrednio na źródło światła.

Aby włączyć lampkę, należy nacisnąć przycisk zmiany siły ssania. Lampka zgaśnie po upływie około 10 sekund.

Podczas pracy odkurzacza lampka świeci. Lampka gaśnie po około 10 sekundach od przerwania pracy.

WSKAZÓWKA: W przypadku niskiego stanu naładowania akumulatora lampka zaczyna migać. Moment, gdy lampka zaczyna migać, zależy od temperatury w miejscu pracy oraz od stanu akumulatora.

► **Rys.5:** 1. Przycisk zmiany siły ssania 2. Przycisk WŁ./WYŁ. 3. Lampka

MONTAŻ

⚠ PRZESTROGA: Przed przystąpieniem do prac konserwacyjnych przy narzędziu upewnić się, że jest ono wyłączone, a akumulator został wyjęty.

Opis części

Akcesoria opcjonalne

Filtr o wysokiej wydajności i filtr z gąbki z usztywnieniem

► **Rys.6:** 1. Kapsuła 2. Filtr o wysokiej wydajności 3. Usztywnienie 4. Filtr z gąbki

Filtr wstępny lub filtr o wysokiej wydajności i filtr HEPA

► **Rys.7:** 1. Kapsuła 2. Filtr wstępny 3. Filtr o wysokiej wydajności 4. Filtr HEPA

UWAGA: Nie używać filtra o wysokiej wydajności w połączeniu z filtrem opcjonalnym (ściereczką z włókniny). Wyciągnięcie filtrów z odkurzacza może okazać się niemożliwe.

WSKAZÓWKA: Nie umieszczać filtra opcjonalnego (ściereczki z włókniny) między filtrem HEPA a filtrem wstępnym. Może to spowodować zmniejszenie siły ssania.

WSKAZÓWKA: W połączeniu z filtrem HEPA należy zawsze używać filtra o wysokiej wydajności umieszczonego na specjalnie zaprojektowanym usztywnieniu.

► **Rys.8:** 1. Filtr o wysokiej wydajności 2. Usztywnienie (zaprojektowane dla filtra o wysokiej wydajności)

Usuwanie kurzu

⚠ PRZESTROGA: Odkurzacz należy opróżnić, zanim się zbytnio napelni. W przeciwnym razie moc ssania będzie obniżona.

⚠ PRZESTROGA: Należy opróżnić z kurzu wnętrze odkurzacza. Niestosowanie się do tego zalecenia może spowodować zatkanie filtra i uszkodzenie silnika.

Aby usunąć kurz, który przyczepił się do filtra w kapsule, należy 4 lub 5 razy postukać dłoń w kapsułę.

► **Rys.9:** 1. Kapsuła

Skierować otwór zasysania w dół, obrócić kapsułę w kierunku wskazywanym przez strzałkę na ilustracji i powoli odczepić kapsułę w linii prostej.

► **Rys.10:** 1. Kapsuła 2. Otwór zasysania

WSKAZÓWKA: Po otwarciu kapsuły kurz może się rozsytać, dlatego należy się upewnić, że pod kapsułą umieszczony został worek na śmieci.

Usunąć kurz i zabrudzenia nagromadzone w kapsule i filtrze o wysokiej wydajności.

► **Rys.11:** 1. Kapsuła 2. Filtr o wysokiej wydajności

Obrócić filtr o wysokiej wydajności w kierunku wskazywanym przez strzałkę, aby odblokować zaczep zabezpieczający od odkurzacza, po czym pociągnąć za filtr, aby go odczepić.

► **Rys.12:** 1. Zaczep zabezpieczający

WSKAZÓWKA: W przypadku użycia filtra wstępnego również należy wykonać powyższą procedurę.

Oczyszczyć filtr o wysokiej wydajności z drobnych zanieczyszczeń, a następnie lekko w niego postukać, aby kurz opadł z filtra.

Ponowny montaż

Podłączyć filtr o wysokiej wydajności. Upewnić się, że filtr o wysokiej wydajności został obrócony w taki sposób, aby zaczep zabezpieczający zaskoczył w obudowie odkurzacza.

► **Rys.13:** 1. Filtr o wysokiej wydajności

► **Rys.14:** 1. Zaczep zabezpieczający

UWAGA: Przed użyciem odkurzacza zawsze należy sprawdzić, czy filtr o wysokiej wydajności został prawidłowo zamocowany. Jeżeli nie zostanie prawidłowo zamocowany, kurz będzie przedostawał się do obudowy silnika i spowoduje jego awarię. Jeśli wystąpi któryś z problemów opisanych w dalszej części, oznacza to, że filtr o wysokiej wydajności nie został zamocowany prawidłowo. Aby usunąć problem, należy zamocować go jeszcze raz.

Zamocować kapsułę. Wyrównać symbol na kapsule z symbolem na uchwycie, po czym obracać kapsułę do oporu w kierunku wskazywanym przez strzałkę, aż do zablokowania.

► **Rys.15:** 1. Symbol 2. Uchwyt 3. Kapsuła

WSKAZÓWKA: Zawsze pamiętać o regularnym usuwaniu kurzu, gdyż w przypadku jego nadmiernego nagromadzenia siła ssania ulega zmniejszeniu.

Przykłady problemów

Zaczepek zabezpieczający na filtrze o wysokiej wydajności nie jest prawidłowo zablokowany w rowku obudowy odkurzacza.

- **Rys.16:** 1. Zaczepek zabezpieczający 2. Rowek obudowy odkurzacza

Zakładanie lub wyjmowanie usztywnienia/filtra HEPA

Akcesoria opcjonalne

W przypadku filtra z gąbką z usztywnieniem

Aby wyjąć usztywnienie, dolną część kolumny usztywnienia należy popchnąć palcami w górę i zwolnić rowek z wypustu w odkurzaczu. Następnie wyjąć filtr z gąbką.

- **Rys.17:** 1. Usztywnienie 2. Filtr z gąbką

Aby założyć, należy wyrównać rowki w usztywnieniu z wypustem w odkurzaczu i nacisnąć, tak aby było słyszalne kliknięcie.

Włożyć filtr z gąbką do kolumny i ułożyć w wyjściowym położeniu.

W przypadku filtra HEPA

Podczas zakładania filtra HEPA należy dopasować rowek filtra HEPA z wypustem w odkurzaczu. Następnie należy umieścić filtr wstępny lub filtr o wysokiej wydajności na filtrze HEPA i obrócić, aby go zamocować. Aby wyjąć, należy wykonać czynności procedury zakładania w odwrotnej kolejności.

- **Rys.18:** 1. Filtr HEPA 2. Filtr wstępny

- **Rys.19:** 1. Filtr HEPA 2. Filtr o wysokiej wydajności

OBSŁUGA

PRZESTROGA: Podczas pracy odkurzacza nie należy zbliżać twarzy do otworu wentylacyjnego. Wdmuchnięcie ciała obcych do oczu może skutkować obrażeniami.

Zakładanie i zdejmowanie przystawek odkurzacza

PRZESTROGA: Po założeniu przystawek sprawdzić, czy zostały dobrze zamocowane. Jeśli przystawki są zamocowane nieprawidłowo, mogą się odzepić i spowodować obrażenia ciała.

PRZESTROGA: Podczas zdejmowania przystawek zachować ostrożność, aby nie uderzyć ręką np. o ścianę.

W przypadku użycia przystawki z funkcją blokady

Aby założyć przystawkę, należy wsunąć ją do otworu zasysania odkurzacza, tak aby było słychać kliknięcie. Upewnij się, że przystawka jest zablokowana.

- **Rys.20:** 1. Otwór zasysania 2. Przystawka z funkcją blokady 3. Zaczepek 4. Przycisk zwalniający

UWAGA: Podczas zakładania przystawki z funkcją blokady należy dopasować przycisk zwalniający na odkurzaczu do zaczepu przystawki. Jeśli nie będą one dopasowane, przystawka nie zostanie zablokowana i może wypaść z odkurzacza.

Aby wyjąć, należy pociągnąć przystawkę, jednocześnie naciskając przycisk zwalniający.

- **Rys.21:** 1. Przycisk zwalniający 2. Przystawka z funkcją blokady

W przypadku użycia przystawki bez funkcji blokady

PRZESTROGA: Aby podłączyć przystawkę bez funkcji blokady, należy ją wsunąć, obracając w kierunku wskazywanym przez strzałkę, dzięki czemu nie odłączy się podczas użycia. Aby odzepić przystawkę, należy ją wyjąć, obracając również w kierunku wskazywanym przez strzałkę. W przypadku obrócenia przystawki w kierunku przeciwnym może dojść do obluźniania kapsuły.

- **Rys.22**

Odkurzanie (ssanie)

Końcówka

Ta końcówka służy do odkurzania stołu, biurka, innych mebli itp. Końcówkę nasuwa się lekko.

- **Rys.23:** 1. Końcówka

Końcówka + rura przedłużająca (prosta)

Rurę przedłużającą zakłada się pomiędzy końcówką a sam odkurzacz. Ta kombinacja pozwala na wygodne odkurzanie podłogi na stojąco.

- **Rys.24:** 1. Korpus odkurzacza 2. Rura przedłużająca (prosta) 3. Końcówka

Końcówka wąska

Końcówka wąska służy do czyszczenia zakamarków w samochodzie oraz mieszkaniu.

- **Rys.25:** 1. Końcówka wąska 2. Korpus odkurzacza

Końcówkę wąską można przechowywać w uchwycie na końcówkę.

- **Rys.26:** 1. Uchwyt na końcówkę 2. Końcówka wąska

PRZESTROGA: Należy zachować ostrożność, aby palce nie utknęły pomiędzy końcówką wąską i uchwytem na końcówkę. Uwięzienie palców grozi zranieniem.

Końcówka wąska + rura przedłużająca (prosta)

Tę kombinację można stosować do odkurzania w miejscach ciasnych, gdzie nie zmieści się odkurzacz, albo położonych wysoko.

► **Rys.27:** 1. Końcówka wąska 2. Rura przedłużająca (prosta) 3. Korpus odkurzacza

Odkurzanie bez końcówki

Istnieje możliwość zbierania pyłu i kurzu bez końcówki.

► **Rys.28**

W celu zapewnienia wygody podczas zbierania kurzu w pozycji stojącej zaleca się zamocowanie do odkurzacza rury przedłużającej.

► **Rys.29:** 1. Rura przedłużająca (prosta)

KONSERWACJA

▲PRZESTROGA: Przed przystąpieniem do przeglądu narzędzia lub jego konserwacji upewnij się, że jest ono wyłączone, a akumulator wyjęty.

W celu zachowania odpowiedniego poziomu BEZPIECZEŃSTWA i NIEZAWODNOŚCI produktu wszelkie naprawy i różnego rodzaju prace konserwacyjne lub regulacje powinny być przeprowadzane przez autoryzowany lub fabryczny punkt serwisowy narzędzi Makita, zawsze z użyciem oryginalnych części zamiennych Makita.

Po zakończeniu pracy

▲PRZESTROGA: Oparcie odkurzacza o ścianę bez żadnego innego podparcia może spowodować jego przewrócenie się, co z kolei może prowadzić do obrażeń ciała lub uszkodzenia odkurzacza.

► **Rys.30**

Czyszczenie

▲PRZESTROGA: Zatkane filtry należy oczyścić. Dalsza eksploatacja z zatkаныmi elementami może doprowadzić do przegrzania lub do pożaru.

UWAGA: Nie stosować benzyny, rozpuszczalników, alkoholu itp. środków. Mogą one powodować odbarwienia, odkształcenia lub pęknięcia.

UWAGA: Do usuwania kurzu, który przyczepił się do odkurzacza i filtrów, nie należy stosować odpylacza powietrza. Powoduje to dostawanie się kurzu do wnętrza obudowy, co prowadzi do awarii.

UWAGA: Po myciu filtrów należy je całkowicie wysuszyć przed kolejnym użyciem. Niedokładnie wysuszone filtry mogą powodować słabe ssanie i skracać okres eksploatacji silnika.

UWAGA: Po czyszczeniu filtrów oraz filtra z gąbki, należy upewnić się, że zostały ponownie założone przed kolejnym użyciem. W przypadku korzystania z odkurzacza bez założonych filtrów i filtra z gąbki kurz dostanie się do wnętrza obudowy silnika i spowoduje awarię.

Korpus odkurzacza

Od czasu do czasu trzeba przetrzeć korpus odkurzacza ściereczką zwilżoną wodą z mydłem.

Należy czyścić także wlot odkurzacza i miejsce mocowania filtra.

► **Rys.31**

Filtr o wysokiej wydajności

Kiedy filtr zatka się brudem i kurzem, a moc ssania spadnie, należy go umyć w wodzie z mydłem. Przed ponownym użyciem należy go dokładnie wysuszyć.

► **Rys.32**

Filtr HEPA

Akcesoria opcjonalne

UWAGA: Filtra HEPA nie należy skrobać żadnymi twardymi przedmiotami, np. szczotką lub łopatką.

Zatkanie filtra HEPA powoduje spadek wydajności ssania. Zaleca się okresowe czyszczenie filtra.

Co pewien czas należy umyć filtr HEPA w wodzie, wypłukać i dokładnie wysuszyć przed ponownym użyciem. Nigdy nie należy prać filtra w pralce.

► **Rys.33**

Filtr z gąbki

Gdy filtr z gąbki jest brudny, należy wyczyścić go w następujący sposób.

1. Zdjąć filtry z usztywnienia.
 2. Wyciągnąć filtr z gąbki z kolumny.
 3. Wyrzepać lub wymyć filtr z gąbki. W przypadku mycia przed użyciem dokładnie go wysuszyć.
 4. Włożyć filtr z gąbki do kolumny i ułożyć w wyjściowym położeniu. Upewnić się, że filtr z gąbki jest przytrzymywany przez każdą dolną krawędź kolumny oraz że między nim a otworem ssącym nie występują żadne przerwy.
- **Rys.34:** 1. Filtr z gąbki 2. Dolna krawędź kolumny

Mocowanie ścienne odkurzacza akumulatorowego

Akcesoria opcjonalne

WSKAZÓWKWA: Zestaw nie zawiera wkrętu potrzebnego do zamontowania uchwytu. Należy przygotować wkręt odpowiedni do materiału, w który będzie wkręcany.

Mocowanie ścienne odkurzacza akumulatorowego należy zamontować na twardym drewnianym elemencie konstrukcyjnym — ścianie, belce lub słupie — do którego będzie je można pewnie przytwierdzić. Przed zawieszeniem odkurzacza akumulatorowego zawsze należy upewnić się, że jego mocowanie ścienne jest pewnie przytwierdzone.

► **Rys.35:** 1. Mocowanie ścienne odkurzacza akumulatorowego

▲PRZESTROGA: Nie należy gwałtownie zawieszать odkurzacza na mocowaniu ściennym ani wieszac na mocowaniu innych urządzeń niż odkurzacz.

Rozwiązywanie problemów

Przed oddaniem produktu do naprawy należy sprawdzić następujące punkty.

Objaw	Obszar wymagający kontroli	Metoda montażu
Słaba siła ssania	Czy kapsuła nie jest przepelniona?	Opróżnić kapsułę z kurzu.
	Czy filtr nie jest zatkany?	Wyczyścić lub umyć filtr.
	Czy akumulator jest rozładowany?	Naładować akumulator.
Nie działa	Czy akumulator jest rozładowany?	Naładować akumulator.
Hałas i drgania	Czy filtr nie jest zatkany?	Wyczyścić lub umyć filtr.
	Czy końcówka, rura lub otwór zasysania urządzenia są zapchane?	Usunąć obiekty zapychające końcówkę, rurę lub otwór zasysania urządzenia.
	Czy końcówka lub wlot rury są zablokowane?	Nie blokować końcówki/wlotu rury.

⚠ PRZESTROGA: Nie wolno próbować samodzielnie naprawiać odkurzacza.

AKCESORIA OPCJONALNE

⚠ PRZESTROGA: Zaleca się stosowanie wymienionych akcesoriów i przystawek razem z narzędziem Makita opisanym w niniejszej instrukcji. Stosowanie innych akcesoriów lub przystawek może być przyczyną obrażeń ciała. Akcesoria lub przystawki należy wykorzystywać tylko zgodnie z ich przeznaczeniem.

W razie potrzeby wszelkiej pomocy i szczegółowych informacji na temat niniejszych akcesoriów udziela Państwu lokalne punkty serwisowe Makita.

- Rura przedłużająca (prosta)
- Końcówka
- Końcówka do dywanów
- Szczotka do półek
- Końcówka wąska
- Szczotka okrągła
- Wąż elastyczny
- Filtr (ściereczka z włókniny)
- Filtr wstępny
- Filtr o wysokiej wydajności
- Filtr HEPA
- Końcówka do siedzeń
- Końcówka szczelinowa
- Mocowanie ścienne odkurzacza akumulatorowego
- Przystawka Cyklon
- Przystawka Cyklon
- Torba na narzędzia
- Oryginalny akumulator i ładowarka firmy Makita

WSKAZÓWKA: Niektóre pozycje znajdujące się na liście mogą być dołączone do pakietu narzędziowego jako akcesoria standardowe. Mogą to być różne pozycje, w zależności od kraju.

Przystawka Cyklon

Akcesoria opcjonalne

- **Rys.36:** 1. Przycisk zwalniający 2. Zaczep 3. Rura przedłużająca (prosta) 4. Przystawka Cyklon 5. Otwór zasysania

Przystawka Cyklon — informacje

Eksploatacja odkurzacza z zamontowaną przystawką Cyklon redukuje ilość kurzu przedostającego się do kapsuły, co zapobiega osłabieniu siły ssania. Ponadto czyszczenie po użyciu jest bardzo proste.

⚠ PRZESTROGA: Przed przystąpieniem do jakichkolwiek prac przy narzędziu upewnij się, że jest ono wyłączone, a akumulator został wyjęty. Pozostawienie włożonego akumulatora może doprowadzić do nieoczekiwanego uruchomienia odkurzacza i spowodować obrażenia.

⚠ PRZESTROGA: W przypadku zatkania filtra siatkowego przystawki Cyklon i filtrów odkurzacza należy je oczyścić. Dalsza eksploatacja z zatkanyimi elementami może doprowadzić do przegrzania lub powstania dymu.

UWAGA: Po zamontowaniu przystawki Cyklon nie należy używać odkurzacza ustawionego poziomo lub zwróconego w górę. W przeciwnym razie może dojść do zatkania filtra siatkowego.

UWAGA: Podczas korzystania z odkurzacza filtry powinny być zawsze założone, nawet w przypadku zamontowania przystawki Cyklon. Eksploatacja odkurzacza bez założonych filtrów może spowodować usterkę silnika.

WSKAZÓWKA: Przed rozpoczęciem pracy należy sprawdzić, czy przystawka Cyklon, odkurzacze i rura przedłużająca (prosta) są prawidłowo zablokowane.

WSKAZÓWKA: W przypadku nagromadzenia kurzu w pojemniku na pył przystawki Cyklon i kapsule odkurzacza należy je opróżnić. Dalsza praca bez uprzedniego wykonania tej czynności spowoduje osłabienie siły ssania.

WSKAZÓWKA: Przystawki Cyklon można również używać bez funkcji blokady.

WSKAZÓWKA: Aby zamontować lub wymontować przystawkę Cyklon, należy zapoznać się z sekcją „Zakładanie i zdejmowanie przystawek odkurzacza”.

Jeśli filtr siatkowy ulegnie mocnemu zanieczyszczeniu, należy oczyścić go według następującej procedury.

1. Przekręcić filtr siatkowy w kierunku wskazanym przez strzałkę i wyjąć go po odblokowaniu zaczepów.

► **Rys.40:** 1. Filtr siatkowy 2. Zaczep

2. Usunąć kurz nagromadzony w filtrze siatkowym, po czym umyć filtr wodą. Następnie dokładnie go osuszyć.

3. Włożyć filtr siatkowy do podstawy, tak aby zaczepy były ustawione w linii z przyłączem. Przekręcić filtr siatkowy w kierunku wskazanym przez strzałkę, tak aby zaczepy zablokowały się (kliknięcie). Upewnić się, że filtr siatkowy jest prawidłowo zamontowany.

► **Rys.41:** 1. Filtr siatkowy 2. Zaczep 3. Przyłącze

Usuwanie kurzu

Po nagromadzeniu się kurzu do poziomu linii napełnienia pojemnika na pył należy wykonać poniższą procedurę i usunąć kurz.

1. Należy mocno przytrzymać pojemnik na pył, nacisnąć i przytrzymać dwa przyciski i wyjąć pojemnik na pył.

► **Rys.37:** 1. Linia napełnienia 2. Pojemnik na pył 3. Przycisk (dwa miejsca) 4. Filtr siatkowy

2. Wyrzucić kurz z pojemnika na pył i usunąć kurz i pył przylegający do powierzchni filtra siatkowego.

3. Włożyć pojemnik na pył do końca, aż dwa przyciski zablokują się (kliknięcie).

► **Rys.38:** 1. Pojemnik na pył 2. Przycisk (dwa miejsca)

▲PRZESTROGA: Wykonując ponowny montaż pojemnika na pył, należy uważać, aby nie przytrzasnąć palców.

WSKAZÓWKA: Przed ponownym rozpoczęciem pracy należy sprawdzić, czy przystawka Cyklon, odkurzacze i rura przedłużająca (prosta) są prawidłowo zablokowane.

WSKAZÓWKA: Jeśli siła ssania nie zostanie przywrócona nawet po usunięciu kurzu i oczyszczeniu filtra siatkowego, należy sprawdzić, czy kurz nie nagromadził się w kapsule odkurzacza lub czy nie doszło do zatkania.

WSKAZÓWKA: Podczas usuwania kurzu z przystawki Cyklon kurz może się unosić. Należy zachować ostrożność, aby kurz nie przedostał się do oczu.

Czyszczenie

▲PRZESTROGA: Po umyciu przystawki Cyklon należy ją całkowicie wysuszyć przed kolejnym użyciem. Niewystarczająco wysuszone elementy mogą spowodować porażenie prądem elektrycznym lub uszkodzenie urządzenia.

Jeśli pojemnik na pył ulegnie zanieczyszczeniu lub filtr siatkowy zatka się, należy je wyjąć i wymyć wodą. (Procedurę wyjmowania opisano w punkcie „Usuwanie kurzu”).

Przed ponownym zamontowaniem i użyciem części należy dokładnie osuszyć.

► **Rys.39:** 1. Pojemnik na pył 2. Filtr siatkowy

FIGYELMEZTETÉS

- A készüléket nem használhatják 8 évnél fiatalabb gyermekek, valamint csökkent fizikai, érzékelési vagy értelmi képességű személyek, illetve olyanok, akiknek nincs meg a tapasztalatuk és tudásuk ehhez, kivéve, ha valaki a biztonságos használatra megtanítja őket, ismerteti velük a lehetséges veszélyeket, és a használat közben felügyeli őket.
- Gyermekek ne játsszanak a készülékkel. A készülék tisztítását és karbantartását felügyelet nélküli gyermekek ne végezzék.
- Az akkumulátor típusreferenciáját lásd a „MŰSZAKI ADATOK” fejezetben.
- Az akkumulátor eltávolításának vagy felszerelésének módjáról lásd az „Akkumulátor felszerelése és eltávolítása”.
- Az akkumulátor ártalmatlanításakor vegye ki azt a szerszámból, és ártalmatlanítsa egy biztonságos helyen. Az akkumulátor ártalmatlanításakor tartsa be a helyi előírásokat.
- Ha a szerszám hosszabb ideig nincs használatban, az akkumulátort ki kell venni a szerszámból.
- Ne zárja rövidre az akkumulátort.
- A felhasználói karbantartás során követendő óvintézkedések részleteit lásd a „KARBANTARTÁS” fejezetben.

RÉSZLETES LEÍRÁS

Típus:		DCL284F
Kapacitás		730 ml
Folyamatos használat (BL1830B akkumulátorral)	1 (csendes üzemmód)	Kb. 38 min
	2 (normál fordulatszámú üzemmód)	Kb. 21 min
	3 (magas fordulatszámú üzemmód)	Kb. 15 min
	4 (maximális fordulatszámú üzemmód)	Kb. 8 min
Teljes hossz (csővel, szívófejjel és BL1830B-ös akkumulátorral)		1 066 mm
Névleges feszültség		18 V, egyenáram
Nettó tömeg		1,3–1,7 kg

- Folyamatos kutató- és fejlesztőprogramunk eredményeként az itt felsorolt tulajdonságok figyelmeztetés nélkül megváltozhatnak.
- A tulajdonságok országról országra különbözhetnek.
- A súly a tartozékok nélkül, de az akkumulátorral/akkumulátorokkal együtt értendő. A berendezés és az akkumulátor(ok) súlyának kombinációi a táblázatban láthatók.

Alkalmazható akkumulátorok és töltők

Akkumulátor	BL1815N / BL1820B / BL1830B / BL1840B / BL1850B / BL1860B
Töltő	DC18RC / DC18RD / DC18RE / DC18SD / DC18SE / DC18SF / DC18SH / DC18WC

- Lakóhelyétől függően előfordulhat, hogy a fent felsorolt akkumulátorok és töltők nem érhetők el.

▲ FIGYELMEZTETÉS: Csak a fentiekben felsorolt akkumulátorokat és töltőket használja. Bármilyen más akkumulátor vagy töltő használata sérüléseket és/vagy tüzet okozhat.

Szimbólumok

A következőkben a berendezésen esetleg használt jelképek láthatók. A szerszám használata előtt bizonyosodjon meg arról hogy helyesen értelmezi a jelentésüket.



Olvassa el a használati utasítást.



A termékhez használandó akkumulátortípus.



Csak EU-tagállamok számára
Mivel a berendezésben veszélyes alkatrészek vannak, az elektromos és elektronikus berendezések, akkumulátorok és elemek hulladékaik negatív hatással lehetnek a környezetre és az emberi egészségre. Az elektromos és elektronikus készülékeket vagy akkumulátorokat ne dobja a háztartási szemétkébe!
Az elektromos és elektronikus berendezések hulladékairól és az akkumulátorokról és elemekről, valamint az akkumulátorok és elemek hulladékáról szóló európai irányelvek, valamint a nemzeti jogszabályokhoz történő adaptálásának megfelelően a használt elektromos berendezéseket, elemeket és akkumulátorokat külön kell tárolni, és a települési hulladék elkülönített gyűjtőhelyére kell szállítani a környezetvédelmi előírásoknak megfelelően. Ezt jelzi a berendezésen elhelyezett áthúzott kerek kuka szimbólum.

Rendeltetés

A készülék száraz por összegyűjtésére szolgál.

BIZTONSÁGI FIGYELMEZTETÉS

A vezeték nélküli porszívóra vonatkozó biztonsági figyelmeztetések

▲ FIGYELMEZTETÉS: FONTOS: HASZNÁLAT ELŐTT MINDENKÉPP OLVASSA EL az összes biztonsági figyelmeztetést és utasítást. Ha nem tartja be a figyelmeztetéseket és utasításokat, akkor áramütés, tűz és/vagy súlyos sérülés következhet be.

1. **Ne tegye ki a készüléket esőnek. Tárolja a készüléket beltéren.**
2. **Ne használja játékszerként. Fokozott körültekintéssel járjon el, ha a készüléket gyermekek közelében használja.**
3. **A készüléket kizárólag a jelen kézikönyvben leírt módon használja. Kizárólag a gyártó által javasolt tartozékokat használja.**
4. **Ne használja sérült akkumulátorral. Ha a készülék nem megfelelően működik, leejtették, megsérült, kültéren hagyták vagy vízbe ejtették, vigye vissza a szervizbe.**

5. **Ne használja a készüléket nedves kézzel.**
6. **Ne zárja el tárgyakkal a készülék nyílásait. A készüléket ne használja lezárt nyílásokkal; tartsa távol a port, szőszet, haját és minden olyan tárgyat, mely csökkentheti a levegő áramlását.**
7. **Tartsa távol haját, laza ruházatát, ujjait és minden egyéb testrészét a nyílásoktól és a mozgó részekről.**
8. **Kapcsoljon ki minden vezérlőt, mielőtt eltávolítja az akkumulátort.**
9. **Legyen különösen óvatos, amikor lépcsőn végez vele takarítást.**
10. **Ne használja túveszélyes vagy gyúlékony folyadékok, mint például benzin felszívására, továbbá ne használja ezek környezetében sem.**
11. **Csak a gyártó által biztosított töltővel töltsé úja.**
12. **Ne szívjon fel vele semmilyen égő vagy füsttőlóg tárgyat, mint például cigaretta, gyufa vagy forró hamu.**
13. **Ne használja porzsák és szűrő nélkül.**
14. **Ne töltsé az akkumulátort kültéren.**
15. **Az akkumulátort csak a gyártó által meghatározott töltővel töltsé. Egy adott típusú akkumulátorhoz használható töltő más akkumulátorokkal való használata tüzet okozhat.**
16. **A készülékeket kizárólag a meghatározott akkumulátorokkal használja. Egyéb akkumulátorok használata sérülést vagy tüzet okozhat.**
17. **Amikor nem használja az akkumulátort, azt a többi fémtárgytól, például iratkapcsoktól, érméktől, kulcsoktól, szögektől, csavaroktól vagy egyéb apró fémtárgyaktól távol tárolja, mert ezek összekötést hozhatnak létre a pólusok között.**
18. **Helytelen működtetés esetén az akkumulátorból folyadék folyhat ki; kerülje az ezzel való érintkezést. Ha véletlenül érintkezésbe kerülne a folyadékkal, vízzel öblítse le.**
19. **Ne használjon sérült vagy módosított akkumulátort vagy készüléket. A sérült vagy módosított akkumulátorok váratlan módon viselkedhetnek, melynek következtében tüzet, robbanást vagy sérülést okozhatnak.**
20. **Ne tegye ki az akkumulátort vagy a készüléket nyílt lángnak vagy túlzott hőhatásnak. A tűz hatása és a 130 °C feletti hőmérséklet robbanást okozhat.**
21. **A töltésre vonatkozó minden utasítást tartson be, ne töltsé az akkumulátort vagy a készüléket a megadott hőmérséklet tartományon kívül. A nem megfelelő módi és nem megfelelő hőmérsékleten történő töltés az akkumulátor károsodásával járhat, valamint tüzet okozhat.**

ŐRIZZE MEG EZEKET AZ UTASÍTÁSOKAT.

KIEGÉSZÍTŐ BIZTONSÁGI ELŐÍRÁSOK

A készülék kizárólag beltéri használatra alkalmas.

1. A használat előtt figyelmesen olvassa át ezt a használati útmutatót és a töltő használati útmutatóját.
2. Ne vegye fel vele a következő anyagokat:
 - Égő vagy füstölgő forró anyagok (cigaretta, gyufa, füstölőpálcika, gyertya, forró hamu), szikrák és fémpor, amely fém vágásakor vagy csiszolásakor keletkezik stb.
 - Gyúlékony folyadék (kerozin, benzin, oldószerek, mint például benzin, hígító stb.)
 - Gyúlékony anyagok (toner, festék, spray stb.)
 - Robbanó vagy piroforos anyagok (nitroglicerin, alumínium, magnézium, titán, cink, vörös foszfor, sárga foszfor, celluloid stb. és ezek pora, gáza vagy gőze)
 - Folyadék, olaj, vizes szennyeződés vagy nedves szemét, beleértve a hányást és az ürüléket is
 - Kemény, éles szélű anyagok (faforgács, fémek, kövek, üvegek, szögek, tűk, borotvák vagy evőeszközök)
 - Szilárdító és vezető finom por (fém- vagy szénpor)
 - Hab, mint például a szőnyegtisztítószer stb. (ami robbanást vagy tüzet okozhat)
 - Nagy mennyiségű por (liszt, tűzoltópor stb.)
 - Mérgezési tüneteket okozó anyagok
 - Agresszív vegyi anyagok (savak, lúgok stb.)
 - Finom kötőpor, például cement
 - Finom részecskék, mint például betonpor
 - Szárítószer
 - Azbeszt
 - Növényvédőszer

Az ilyen művelet tüzet, sérülést és/vagy anyagi kárt okozhat.

Annak érdekében, hogy csökkentse ezeknek a vegyi anyagoknak az expozícióját, mindig viseljen erre a célra jóváhagyott légzésvédelmi felszereléseket, mint például olyan porvédő álarokat, amelyeket kifejezetten a mikroszkopikus részecskék kiszűrésére fejlesztettek ki. A kiáramló levegőt irányítsa el az arcától és a testétől.

3. Ha bármilyen rendellenességet észlel, azonnal állítsa le a készüléket.
4. Ha elejtette vagy valamihez odaütötte a porszívót, a használat előtt gondosan ellenőrizze, hogy nincsenek-e rajta repedések vagy sérülések.
5. Ne vigye tűzhely vagy más hőforrás közelébe.
6. Ne zárja le a szívónyílást vagy a szellőzőnyílásokat.

ŐRIZZE MEG EZEKET AZ UTASÍTÁSOKAT.

Fontos biztonsági utasítások az akkumulátorra vonatkozóan

1. Az akkumulátor használata előtt tanulmányozza át az akkumulátortöltőt (1), az akkumulátoron (2) és az akkumulátorral működtetett terméken (3) olvasható összes utasítást és figyelmeztető jelzést.
2. Ne szerelje szét, és ne módosítsa az akkumulátort. Tüzet, túlzott hőt vagy robbanást okozhat.
3. Ha a működési idő nagyon lerövidült, azonnal hagyja abba a használatot. Ez a túlmelegedés, esetlegesen égések és akár robbanás veszélyével is járhat.
4. Ha elektrolit kerül a szemébe, mossa ki azt tiszta vízzel és azonnal kérjen orvosi segítséget. Ez a látásának elvesztését okozhatja.
5. Ne zárja rövidre az akkumulátort:
 - (1) Ne érjen az érintkezőkhöz elektromosan vezető anyagokkal.
 - (2) Ne tárolja az akkumulátort más fémtárgyakkal, mint pl. szegekkel, érmekkel, stb. egy helyen.
 - (3) Ne tegye ki az akkumulátort víznek vagy esőnek.

Az akkumulátor rövidzárlata nagy áramerősséget, túlmelegedést, égéseket, sőt akár meghibásodást is okozhat.

6. Ne tárolja és használja a szerszámot vagy az akkumulátort olyan helyen, ahol a hőmérséklet elérheti vagy meghaladhatja az 50 °C-t (122 °F).
7. Ne égesse el az akkumulátort még akkor sem, ha az komolyan megsérült vagy teljesen elhasználódott. Az akkumulátor a tűzben felrobbanhat.
8. Ne szúrja meg, ne vágja meg, ne törje össze, ne dobja el és ne ejtse le az akkumulátort, illetve ne üsse hozzá kemény tárgyhoz. Az ilyen magatartás tüzet, túlzott hőt vagy robbanást okozhat.
9. Ne használjon sérült akkumulátort.
10. A készülékben található lítium-ion akkumulátorokra a veszélyes árukkal kapcsolatos előírások vonatkoznak.

A termék pl. harmadik felek, fuvarozó cégek stb. által történő szállítása esetén minden esetben tartsa szem előtt a csomagoláson és a címkén található speciális követelményeket.

A termék szállításra történő felkészítése esetén vegye fel a kapcsolatot egy veszélyes anyagokkal foglalkozó szakemberrel. Kérjük, hogy az esetlegesen szigorúbb nemzeti előírásokat is vegye figyelembe.

Ragassza le a kiálló érintkezőket, illetve oly módon csomagolja be az akkumulátort, hogy az ne tudjon elmozdulni a csomagolásban.
11. Az akkumulátor ártalmatlanításakor vegye ki azt a szerszámból, és ártalmatlanítsa egy biztonságos helyen. Az akkumulátor ártalmatlanításakor tartsa be a helyi előírásokat.
12. Az akkumulátorokat csak a Makita által megjelölt termékekhez használja. Ha az akkumulátorokat azokkal nem kompatibilis termékekbe helyezi, az tűzhez, túlmelegedéshez, robbanás- vagy elektrolitszivárgáshoz vezethet.

13. Ha a szerszám hosszabb ideig nincs használatban, az akkumulátort ki kell venni a szerszámból.
14. Használat közben és után az akkumulátor felforrósodhat, ami égési sérülést vagy alacsony hőmérsékletű égési sérülést okozhat. Figyeljen oda a forró akkumulátor kezelésére.
15. Ne érintse meg közvetlenül a szerszám érintkezőjét, mert elég forró lehet ahhoz, hogy égési sérüléseket okozzon.
16. Ne engedje, hogy forgács, por vagy sár tapadjon az akkumulátor érintkezőire, lyukaiba és hornyaiiba. Az felmelegedést, tüzet, robbanást és a szerszám vagy az akkumulátor meghibásodását okozhatja, ami égési és személyi sérülésekhez vezet.
17. Hacsak a szerszám nem támogatja a nagyfeszültségű elektromos vezetékek közelében történő használatot, ne használja az akkumulátort nagyfeszültségű elektromos vezetékek közelében. Az a szerszám vagy az akkumulátor hibás működését vagy meghibásodását okozhatja.
18. Tartsa távol a gyermekektől az akkumulátort.

ŐRIZZE MEG EZEKET AZ UTASÍTÁSOKAT.

⚠VIGYÁZAT: Csak eredeti Makita akkumulátorokat használjon. A nem eredeti Makita akkumulátorok vagy módosított akkumulátorok használata esetén az akkumulátor felrobbanhat, ami tüzet, személyi sérülést és anyagi kárt okozhat. A Makita szerszámmra és töltőre vonatkozó Makita garanciát is érvénytelenítheti.

Tippek az akkumulátor maximális élettartamának eléréséhez

1. Töltse fel az akkumulátort, mielőtt teljesen lemerülne. Állítsa le a gépet, és töltse fel az akkumulátort, ha a gép erejének csökkenését észleli.
2. Soha ne töltse újra a teljesen feltöltött akkumulátort. A túltöltés csökkenti az akkumulátor élettartamát.
3. Töltse az akkumulátort szobahőmérsékleten, 10 °C - 40 °C (50 °F - 104 °F) között. Töltés előtt hagyja lehűlni a felforrósodott akkumulátort.
4. Ha nem használja az akkumulátort, vegye ki a szerszámból vagy a töltőből.
5. Töltse fel az akkumulátort, ha hosszabb ideje (több mint hat hónapja) nem használta azt.

A MŰKÖDÉS LEÍRÁSA

⚠VIGYÁZAT: Minden esetben ellenőrizze, hogy a szerszám ki van kapcsolva és az akkumulátor eltávolításra került mielőtt beállít vagy ellenőriz valamilyen funkciót a szerszámon.

⚠VIGYÁZAT: Figyeljen oda, nehogy az akkumulátor behelyezésekor az ábrán látható módon becsípje az ujját/ujjait a porszivó és az akkumulátor közé. Az ujj(ak) becsípődése sérülést okozhat.

► Ábra1

Az akkumulátor behelyezése és eltávolítása

⚠VIGYÁZAT: Mindig kapcsolja ki az eszközt, mielőtt behelyezi vagy eltávolítja az akkumulátort.

⚠VIGYÁZAT: Az akkumulátor behelyezésekor vagy eltávolításakor erősen fogja meg a szerszámot és az akkumulátort. Ha nem fogja erősen a szerszámot és az akkumulátort, azok kicsúszhatnak a kezei közül, ami a szerszám és az akkumulátor károsodásához, de akár személyi sérüléshez is vezethet.

Az akkumulátoregység kivételéhez nyomja be az akkumulátoregység elején található gombot, és húzza le a gépről.

► **Ábra2:** 1. Piros jel 2. Gomb 3. Akkumulátor

Az akkumulátor beszereléséhez illesse az akkumulátor nyelvét a burkolaton található vágatba, és csúsztassa a helyére. Egészen addig tolja be, amíg az akkumulátor egy kis kattánással a helyére nem ugrik. Ha látható a piros jel az ábrán látható módon, akkor nem kattant be teljesen.

⚠VIGYÁZAT: Mindig tolja be teljesen az akkumulátort, amíg a piros jel el nem tűnik. Ha ez nem történik meg, akkor az akkumulátor kieshet a szerszámból, és Önnel vagy a környezetében másnak sérülést okozhat.

⚠VIGYÁZAT: Ne erőltesse az akkumulátort behelyezésre. Ha az akkumulátor nem csúszik be könnyedén, akkor nem megfelelően lett behelyezve.

Szerszám-/akkumulátorvédő rendszer

A gép szerszám-/akkumulátorvédő rendszerrel van felszerelve. A rendszer automatikusan kikapcsolja a motor áramellátását, így megnöveli a szerszám és az akkumulátor élettartamát. A gép használat közben automatikusan leáll, ha a szerszám vagy az akkumulátor a következő állapotba kerül.

Túlterhel:

A szerszámot/akkumulátort úgy működteti, hogy áramfelvétele rendellenesen magas.

Ilyenkor kapcsolja ki a gépet, és állítsa le azt az alkalmazást, amelyik a túlterhelést okozza. Újraindításhoz kapcsolja be a gépet.

Túlmelegedés:

A szerszám/akkumulátor túlmelegedett. Ilyenkor hagyja behűlni a szerszámot/akkumulátort, mielőtt ismét bekapcsolná.

Az akkumulátor feszültsége alacsony:

Az akkumulátor fennmaradó kapacitása túl alacsony, a szerszámot nem tudja működtetni. Ilyenkor vegye le és töltsze fel az akkumulátort.

Egyéb okok elleni védelem:

A védelmi rendszert más olyan okok ellen is tervezték, amelyek károsíthatják a szerszámot és amelyek lehetővé teszik, hogy a szerszám automatikusan leálljon. Hajtsa végre az alábbi összes lépést az okok tisztázása érdekében, ha a szerszám ideiglenesen vagy teljesen leállt.

1. Kapcsolja ki a szerszámot, majd kapcsolja be ismét az újraindításhoz.
2. Töltsze fel az akkumulátor(oka)t vagy cserélje ki azt/azokat újratöltött akkumulátorral.
3. Hagyja, hogy a szerszám és az akkumulátor(ok) lehűljenek.



















Ha nem történik javulás a védelmi rendszer helyreállítása után sem, forduljon a helyi Makita Szervizközpontoz.

Az akkumulátor töltöttségének jelzése

Csak állapotjelzős akkumulátorok esetén

► **Ábra3:** 1. Jelzőlámpák 2. Check (ellenőrzés) gomb

Nyomja meg az ellenőrzőgombot, hogy az akkumulátortöltöttség-jelző megmutassa a hátralévő akkumulátor-kapacitást. Ekkor a töltöttség-szint-jelző lámpák néhány másodpercre kigyulladnak.

Jelzőlámpák			Töltöttségi szint
 Világító lámpa	 KI	 Villogó lámpa	
			75%-tól 100%-ig
			50%-tól 75%-ig
			25%-tól 50%-ig
			0%-tól 25%-ig
			Töltsze fel az akkumulátort.
 	 	 	Lehetséges, hogy az akkumulátor meghibásodott.

MEGJEGYZÉS: Az adott munkafeltételektől és a környezet hőmérsékletétől függően a jelzett töltöttségi szint némileg eltérhet a tényleges töltöttségi szinttől.

MEGJEGYZÉS: Az első (bal oldali szélső) jelzőlámpa villog, ha az akkumulátorvédő rendszer működik.

A kapcsoló használata

► **Ábra4:** 1. Szívóerő módosító gomb 2. BE/KI gomb

A porszívó bekapcsolásához csak nyomja meg a BE/KI gombot. A kikapcsoláshoz nyomja meg a újra a BE/KI gombot.

A szívóerő módosító gomb használatával négy lépésben változtathatja a porszívó szívóerejét. A gomb minden egyes megnyomása ciklikusan ismétli a Csendes/Normál/Magas/Maximális üzemmódokat.

Fokozat	Jelzés	Üzemmód
1		Csendes üzemmód
2		Normál fordulatszámú üzemmód
3		Magas fordulatszámú üzemmód
4		Maximális fordulatszámú üzemmód

MEGJEGYZÉS: A porszívó bekapcsolása előtt megváltoztathatja a szívóerőt.

MEGJEGYZÉS: A porszívó ugyanazzal a szívóerővel kezd működni, mint a legutóbbi működéskor.

A lámpa bekapcsolása

⚠ VIGYÁZAT: Ne tekintsen a fénybe vagy ne nézze egyenesen a fényforrást.

A lámpa bekapcsolásához nyomja meg a szívóerő módosító gombot. A lámpa körülbelül 10 másodperc múlva kialszik.

A porszívó működése közben a lámpa be van kapcsolva.

A lámpa körülbelül a működés leállítása után 10 másodperccel kialszik.

MEGJEGYZÉS: Ha az akkumulátor hamarosan lemerül, a lámpa villogni kezd. A munkaterület környezeti hőmérsékletétől és az akkumulátor állapotától függ, hogy a lámpa milyen ütemben villog.

► **Ábra5:** 1. Szívóerő módosító gomb 2. BE/KI gomb 3. Lámpa

ÖSSZESZERELÉS

⚠ VIGYÁZAT: Minden esetben ellenőrizze, hogy a szerszám ki van kapcsolva és az akkumulátort levette, mielőtt bármilyen műveletet végez a szerszámon.

Alkatrészek leírása

Opcionális kiegészítők

A nagy teljesítményű szűrő és a tartó és szivacs szűrő

► **Ábra6:** 1. Tartály 2. Nagy teljesítményű szűrő 3. Tartó 4. Szivacs szűrő

Előszűrő vagy nagy teljesítményű szűrő és HEPA szűrő

- **Ábra7:** 1. Tartály 2. Előszűrő 3. Nagy teljesítményű szűrő 4. HEPA szűrő

MEGJEGYZÉS: A nagy teljesítményű szűrő alá ne tegyen opcionális szűrőt (nemszött kelmét). A szűrőket nem lehet eltávolítani a porszívóból.

MEGJEGYZÉS: Ne helyezzen opcionális szűrőt (nemszött kelmét) a HEPA szűrő és az előszűrő közé. A szívóteljesítmény csökkenhet.

MEGJEGYZÉS: Mindig az eredetileg tervezett tartóval keretezett nagy teljesítményű szűrőt használja, ha a HEPA szűrőre helyezi azt.

- **Ábra8:** 1. Nagy teljesítményű szűrő 2. Tartó (nagy teljesítményű szűrőhöz tervezett)

A por kiürítése

⚠VIGYÁZAT: Ürítse ki a porszívóból a port, mielőtt az túlságosan megteleik, máskülönben gyengül a szívóhatás.

⚠VIGYÁZAT: Ne fedje magának a porszívónak a belsejét is kiüríteni. Ennek elmulasztása a szűrő eltömődését vagy a motor károsodását okozhatja.

A tartályban levő szűrőre tapadt por eltávolításához ütögesse meg kezével 4-5-ször a tartályt.

- **Ábra9:** 1. Tartály

Irányítsa lefelé a szívóbemenetet, fordítsa el a tartályt az ábrán látható nyíl irányába, és lassan, egyenesen húzva vegye le a tartályt.

- **Ábra10:** 1. Tartály 2. Szívónyílás

MEGJEGYZÉS: A tartály kinyitásakor por hullhat ki, ezért helyezzen egy szemeteszákot a tartály alá.

Távolítsa el a lerakódott port a tartály belsejéből és a nagy teljesítményű szűrőről.

- **Ábra11:** 1. Tartály 2. Nagy teljesítményű szűrő

Forgassa el a nagy teljesítményű szűrőt a nyíl irányába, hogy kiakaszsa a rögzítőperemet a porszívó egységéből, majd húzza ki a szűrőt.

- **Ábra12:** 1. Rögzítőperem

MEGJEGYZÉS: Az előszűrő használatakor is kövesse a fenti eljárást.

Tisztítsa meg a finom portól a nagy teljesítményű szűrőt, majd óvatosan ütögesse meg a por eltávolításához.

Összeszerelés

Csatlakoztassa a nagy teljesítményű szűrőt. Ezután fordítsa el a nagy teljesítményű szűrőt, hogy a rögzítőperem beakadjon a porszívó egységbe.

- **Ábra13:** 1. Nagy teljesítményű szűrő

- **Ábra14:** 1. Rögzítőperem

MEGJEGYZÉS: A porszívó használata előtt mindig ellenőrizze, hogy a nagy teljesítményű szűrő pontosan a helyén van-e. Ha nincs pontosan a helyén, por kerül a motorházba, és a motor meghibásodását okozza. Ha a későbbiekben leírt probléma előfordul, a nagy teljesítményű szűrő nincs pontosan a helyén. A probléma megoldásához pontosan helyezze azt vissza.

Csatlakoztassa a tartályt. Igazítsa a tartályon lévő jelet a fogantyún lévő jelhez, majd határozottan csavarja el a tartályt a nyíl irányába, amíg nem rögzül.

- **Ábra15:** 1. Jel 2. Fogantyú 3. Tartály

MEGJEGYZÉS: Mindig idejében távolítsa el a port, mert lecsökken a szívóteljesítmény, ha túl sok por van a porszívóban.

Példák a lehetséges problémákra

A nagy teljesítményű szűrő rögzítőpereme nincs a porszívóház vajatába rögzítve.

- **Ábra16:** 1. Rögzítőperem 2. Vaját a porszívó burkolatában

A tartó / HEPA szűrő felszerelése és eltávolítása

Opcionális kiegészítők

A tartó és szivacsűrő esetén

A tartó eltávolításához nyomja fel az ujjával a tartó bordáinak alsó részét, és szabadítsa ki a vajatát a porszívón található kiemelkedés alól. Ezután távolítsa el a szivacsűrőt.

- **Ábra17:** 1. Tartó 2. Szivacsűrő

A felszereléshez igazítsa a tartó vajatát a porszívón található kiemelkedéshez, és nyomja, amíg bekattan. Helyezze be a szivacsűrőt a bordák közé, és állítsa az eredeti helyzetébe.

A HEPA szűrő esetén

A HEPA szűrő felszerelésekor illesse a HEPA szűrő vajatát a porszívón található kiemelkedéshez. Ezután tegye az előszűrőt vagy a nagy teljesítményű szűrőt a HEPA szűrőre, és csavarja el a rögzítéshez. Az eltávolításához kövesse a felszerelési eljárást fordított sorrendben.

- **Ábra18:** 1. HEPA szűrő 2. Előszűrő

- **Ábra19:** 1. HEPA szűrő 2. Nagy teljesítményű szűrő

MŰKÖDTETÉS

⚠VIGYÁZAT: Ne vigye az arcát közel a szellőzőnyíláshoz a porszívó működtetésekor. Ha idegen tárgyakat fúj valakinek a szemébe, az személyi sérülést okozhat.

A szívótartozékok felszerelése és eltávolítása

⚠VIGYÁZAT: A tartozékok felszerelése után ellenőrizze, hogy biztonságosan vannak-e rögzítve. Ha a tartozékok nem megfelelően vannak felszerelve, leeshetnek, és személyi sérülést okozhatnak.

⚠VIGYÁZAT: Vigyázzon, ne üsse a kezét a falba, stb. a tartozékok eltávolításakor.

Reteszelő funkció tartozék használatok

A tartozék felszereléséhez tolja azt be a porszívó szívónyílásába, amíg bekattan. Győződjön meg arról, hogy a tartozék rögzült.

► **Ábra20:** 1. Szívónyílás 2. Reteszelő funkció tartozék 3. Akasztó 4. Kioldógomb

MEGJEGYZÉS: A reteszelő funkció tartozék felszerelésekor vigyázzon, hogy a porszívó kioldógombját a tartozékon lévő akasztóhoz igazítsa. Ha nincsenek egy vonalban, a tartozék nem rögzül, és leeshet a porszívóról.

Az eltávolításhoz húzza ki a tartozékokat, miközben nyomja a kioldógombot.

► **Ábra21:** 1. Kioldógomb 2. Reteszelő funkció tartozék

Reteszelő funkció nélküli tartozék használatok

VIGYÁZAT: A reteszelő funkció nélküli tartozék csatlakoztatásához helyezze be azt a nyíl irányába elforgatva, hogy biztosan rögzítve legyen használat közben. A tartozék eltávolításához szintén a nyíl irányába elforgatva húzza azt ki. Ha a tartozékokat az ellenkező irányba forgatják, a tartály kilazulhat.

► **Ábra22**

Tisztítás (porszívás)

Szívófej

Csatlakoztassa a szívófejet asztalok, íróasztalok, bútorok, stb. tisztításakor. A szívófej könnyedén rácsúsztható a csonkra.

► **Ábra23:** 1. Szívófej

Szívófej + csőtoldal (egyenes cső)

A csőtoldal a szívófej és a porszívó közé illeszthető be. Az így összeszerelt készülékkel kényelmesen, felegyenesedve tisztítható a padló.

► **Ábra24:** 1. Porszívóburkolat 2. Csőtoldal (egyenes cső) 3. Szívófej

Sarokszívófej

Csatlakoztassa a sarokszívófejhez sarkok és az autó vagy bútorok réseinek tisztításához.

► **Ábra25:** 1. Sarokszívófej 2. Porszívóburkolat

A sarokszívófejet a szívófejtartóban tárolhatja.

► **Ábra26:** 1. Szívófej tartó 2. Sarokszívófej

VIGYÁZAT: Ügyeljen rá, hogy ne csípjé be az ujjait a sarokszívófej és a szívófej tartó közé. Az ujj(ak) becsípődése sérülést okozhat.

Sarokszívófej + csőtoldal (egyenes cső)

Olyan szűk terekben, ahová maga a porszívó nem férne el, vagy nehezen elérhető, magas helyeken használja ezt az összeállítást.

► **Ábra27:** 1. Sarokszívófej 2. Csőtoldal (egyenes cső) 3. Porszívóburkolat

Tisztítás szívófej nélkül

Port a szívófej nélkül is felszívhat.

► **Ábra28**

A padlón lévő por álló helyzetben történő felszívásához célszerű a csőtoldatot csatlakoztatni a porszívóhoz.

► **Ábra29:** 1. Csőtoldal (egyenes cső)

KARBANTARTÁS

VIGYÁZAT: Minden esetben ellenőrizze, hogy a szerszám ki van kapcsolva és az akkumulátor eltávolításra került mielőtt átvizsgálja a szerszámot vagy annak karbantartását végzi.

A termék BIZTONSÁGÁNAK és MEGBÍZHATÓSÁGÁNAK fenntartása érdekében a javításokat és más karbantartásokat vagy beállításokat a Makita hivatalos vagy gyári szervizközpontjában kell elvégezni, mindig csak Makita cserealkatrészeket használva.

A használat után

VIGYÁZAT: Ha a porszívót kitémasztás nélkül a falnak dönti, akkor eldőlhethet, ami személyi sérülést és a porszívó károsodását okozhatja.

► **Ábra30**

Tisztítás

VIGYÁZAT: Tisztítsa ki a szűrőket, ha eltömődtek. Ha folytatja a használatot eltömődött állapotban, az felmelegedést vagy tüzet okozhat.

MEGJEGYZÉS: Soha ne használjon gázolajt, benzint, hígítót, alkoholt vagy hasonló anyagokat. Ezek elszíneződést, alakvesztést vagy repedést okozhatnak.

MEGJEGYZÉS: Ne fújja a port a porszívóba és a szűrőbe légfúvó rácsatlakoztatásával. Így por kerül a motorházba, és meghibásodást okoz.

MEGJEGYZÉS: A szűrők mosása után alaposan szárítsa meg azokat használat előtt. A nem teljesen megszáritott szűrő gyenge szívóteljesítményt és a motor élettartamának rövidülését okozhatja.

MEGJEGYZÉS: A szűrők és a szivacs szűrő tisztítása után győződjön meg arról, hogy használat előtt újra visszahelyezi azokat. Ha a szűrők és a szivacs szűrő nélkül használja a porszívót, akkor por kerül a motorházba, és a motor meghibásodását okozza.

Porszívóburkolat

Időnként törölje át szappanos vízzel megnedvesített rongy segítségével a porszívó külső felületeit (a készülék házat).

Tisztítsa ki a szívónyílást és a szűrő rögzítési helyét.

► **Ábra31**

Nagy teljesítményű szűrő

Szappanos vízben mossa ki a szűrőt, ha porral eltömődött és a szívóteljesítmény jelentősen lecsökkent. Használat előtt alaposan szárítsa meg.

► **Ábra32**

HEPA szűrő

Opcionális kiegészítők

MEGJEGYZÉS: Ne dörzsölje vagy karcolja a HEPA szűrőt kemény tárgyakkal, például kefével vagy durva ecsettel.

Az eltömődött HEPA szűrő gyenge szívóteljesítményt okoz. Rendszeresen tisztítsa ki a szűrőt.

A HEPA szűrőt időnként mossa meg vízben, majd öblítse le és szárítsa meg alaposan egy árnyékos helyen, mielőtt újra használná. Soha ne mossa a szűrőt mosógépben.

► **Ábra33**

Szivacsszűrő

Ha a szivacsszűrő szennyezetté válik, tisztítsa meg az alábbiak szerint.

1. Vegye ki a tartót fedő szűrőket.
2. Húzza ki a szivacsszűrőt a tartóbordák közül.

Hibaelhárítás

Mielőtt javítást igényelne, ellenőrizze a következőket.

Tünet	Átvizsgálendő terület	Megoldás
Gyenge szívóteljesítmény	A tartály tele van porral?	Üritse a tartályt.
	Eltömődött a szűrő?	Tisztítsa le vagy mossa meg a szűrőt.
	Lemerült az akkumulátor?	Töltse fel az akkumulátort.
Nem működik	Lemerült az akkumulátor?	Töltse fel az akkumulátort.
Zaj és rezgés	Eltömődött a szűrő?	Tisztítsa le vagy mossa meg a szűrőt.
	A készülék szívófeje, a csöve vagy a szívónyílása eltömődött?	Távolítsa el az eltömődést okozó tárgyakat a készülék szívófejéből, a csövéből vagy a szívónyílásából.
	A szívófeje/cső nyílása eltömődött?	Ne zárja el a szívófeje/cső nyílását.

VIGYÁZAT: Ne próbálja egyedül megjavítani a porszívót.

OPCIONÁLIS KIEGÉSZÍTŐK

VIGYÁZAT: Ezen kiegészítőket és tartozékokat javasoljuk a kézikönyvben ismertetett Makita szerszámhoz. Bármilyen más kiegészítő vagy tartozék használata a személyi sérülés kockázatával jár. A kiegészítőt vagy tartozékokat csak rendeltetészerűen használja.

Ha bármilyen segítségre vagy további információkra van szüksége ezekkel a tartozékokkal kapcsolatban, keresse fel a helyi Makita Szervizközpontot.

- Csőtoldat (egyenes cső)
- Szívófej
- Szőnyegkefe

3. Tisztítsa meg a szivacsszűrőt annak megütögetésével vagy kimosásával. Ha kimossa, szárítsa meg alaposan használat előtt.

4. Helyezze be a szivacsszűrőt a tartóbordák közé, és állítsa az eredeti helyzetébe. Győződjön meg róla, hogy a tartóborda mindegyik alsó éle leszorítja a szivacsszűrőt, és nincs hézag a szivacsszűrő és a szívónyílás között.

► **Ábra34:** 1. Szivacsszűrő 2. Tartóborda alsó széle

Fali tartó vezető nélküli porszívóhoz

Opcionális kiegészítők

MEGJEGYZÉS: A tartó rögzítéséhez szükséges csavar nem tartozék. Készítsen elő olyan csavart, amely illeszkedik az anyaghoz, amibe csavarni kell.

Szerelje a vezető nélküli porszívó fali tartóját keményfából készült falra, gerendára vagy oszlopra, ahová biztonságosan lehet rögzíteni az vezető nélküli porszívó fali tartóját. A porszívó felakasztása előtt mindig győződjön meg róla, hogy a vezető nélküli porszívó fali tartója biztonságosan van rögzítve.

► **Ábra35:** 1. Fali tartó vezető nélküli porszívóhoz

VIGYÁZAT: Ne akassza a porszívót hevesen a fali tartóra, és ne akasszon rá a porszívón kívül más készülékeket.

- Bútorkefe
- Sarokszívófej
- Körkefe
- Hajlékony cső
- Szűrő (nemszött kelme)
- Előszűrő
- Nagy teljesítményű szűrő
- HEPA szűrő
- Ülészívó fej
- Résszívófej
- Fali tartó vezető nélküli porszívóhoz
- Ciklonegység
- Ciklon tartozék
- Szerszámtáská
- Eredeti Makita akkumulátor és töltő

MEGJEGYZÉS: A listán felsorolt néhány kiegészítő megtalálható az eszköz csomagolásában standard kiegészítőként. Ezek országanként eltérőek lehetnek.

Ciklon tartozék

Opcionális kiegészítők

► **Ábra36:** 1. Kioldógomb 2. Akasztó 3. Csótoldat (egyenes cső) 4. Ciklon tartozék 5. Szívónyílás

A ciklon tartozékról

A porszívó felszerelt ciklon tartozékkal történő használata csökkenti a tartályba kerülő por mennyiségét, és az segít megelőzni a szívóerő csökkenését. Ezenkívül könnyebb a használat utáni tisztítás is.

▲VIGYÁZAT: Minden esetben ellenőrizze, hogy a szerszám ki van kapcsolva és az akkumulátort levette, mielőtt bármilyen műveletet végez a szerzősámon. Ha az akkumulátor bedugva marad, a porszívó váratlanul elindulhat, és sérülést okozhat.

▲VIGYÁZAT: Tisztítsa meg a ciklon tartozék szítaszűrőjét és a porszívóegység szűrőit, ha eltömődnek. Ha folytatja a használatot eltömődött állapotban, az felmelegedést vagy füstöt okozhat.

MEGJEGYZÉS: Ha a ciklon tartozék csatlakoztatva van, ne használja a porszívót vízszintes vagy felfelé irányított helyzetben. Ellenkező esetben a szítaszűrő eltömődhet.

MEGJEGYZÉS: Mindig beszerelt szűrőkkel használja a porszívót, még akkor is, amikor a ciklon tartozékot használja. A porszívó beszerelt szűrők nélküli használata a motor meghibásodását okozhatja.

MEGJEGYZÉS: Használat előtt ellenőrizze, hogy a ciklon tartozék, a porszívó és a csótoldat (egyenes cső) megfelelően vannak rögzítve.

MEGJEGYZÉS: Ha összegyűlt a por, ürítse ki a ciklon tartozék porgyűjtő dobozát és a porszívó tartályát. Ha folytatja a használatot, csökken a szívóerő.

MEGJEGYZÉS: A ciklon tartozékot reteszelő funkció nélkül is használhatja.

MEGJEGYZÉS: A ciklon tartozék fel- vagy leszereléséhez olvassa el a „A szívótartozékok felszerelése és eltávolítása” című részt.

A por kiürítése

Ha a por a porgyűjtő dobozon lévő tele vonalig felgyűlt, kövesse az alábbi eljárást, és ürítse ki a port.

1. Tartsa szorosan a porgyűjtő dobozt, tartsa hosszasan lenyomva a két gombot, és vegye ki a porgyűjtő dobozt.

► **Ábra37:** 1. Tele vonal 2. Porgyűjtő doboz 3. Gomb (két helyen) 4. Szítaszűrő

2. Ürítse ki a porgyűjtő doboz belsejéből a port, és távolítsa el a szítaszűrő felületére tapadt port.

3. Nyomja be teljesen a porgyűjtő dobozt, amíg a két gomb egy kattánással nem rögzül.

► **Ábra38:** 1. Porgyűjtő doboz 2. Gomb (két helyen)

▲VIGYÁZAT: A porgyűjtő fedelének visszaszerelésekor vigyázzon, hogy ne csipje be az ujjait.

MEGJEGYZÉS: A működés újraindítása előtt ellenőrizze, hogy a ciklon tartozék, a porszívó és a csótoldat (egyenes cső) megfelelően vannak rögzítve.

MEGJEGYZÉS: Ha a szívóerő még a por kiürítése és a szítaszűrő megtisztítása után sem erősödik, ellenőrizze, hogy nem gyűlt-e fel por a porszívó tartályában vagy nem tömődött-e el.

MEGJEGYZÉS: A por felszállhat a ciklon tartozék kiürítésekor. Ügyeljen, hogy a por ne kerüljön a szemébe.

Tisztítás

▲VIGYÁZAT: A ciklon tartozék mosása után alaposan szárítsa meg azt használat előtt. A nem megfelelően megszáritott tartozékok áramütést vagy a készülék károsodását okozhatják.

Ha a porgyűjtő doboz piszkos lesz vagy a szítaszűrő eltömődik, vegye ki azokat, és mossa meg vízzel. (Az eltávolítási eljárást lásd a „Por kiürítése” című részben.)

Visszaszerelés és használat előtt szárítsa meg alaposan az alkatrészeket.

► **Ábra39:** 1. Porgyűjtő doboz 2. Szítaszűrő

Ha a szítaszűrő nagyon bepiszkolódik, tisztítsa meg a következő eljárással.

1. Fordítsa el a szítaszűrőt a nyíl irányába, és vegye ki, amikor az akasztók elengedek.

► **Ábra40:** 1. Szítaszűrő 2. Akasztó

2. Távolítsa el a szítaszűrőről a port, és mossa meg vízzel. Ezután szárítsa meg alaposan.

3. Helyezze be a szítaszűrőt az alapba, amikor az akasztók egyvonalban vannak a nyílással. Forgassa a szítaszűrőt a nyíl irányába addig, amíg az akasztók egy kattánással nem rögzülnek. Győződjön meg róla, hogy a szítaszűrő biztonságosan van felhelyezve.

► **Ábra41:** 1. Szítaszűrő 2. Akasztó 3. Nyílás

VAROVANIE

- Toto náradie môžu používať deti staršie ako 8 rokov a osoby so zníženými fyzickými, zmyslovými a duševnými schopnosťami alebo nedostatočnou skúsenosťou, ak pracujú pod dohľadom alebo na základe vydaných pokynov o používaní náradia bezpečným spôsobom a chápu možné riziká.
- Deti sa s náradím nesmú hrať. Deti bez dozoru nesmú vykonávať čistenie a údržbu.
- Informácie o type akumulátora nájdete v kapitole „TECHNICKÉ ŠPECIFIKÁCIE“.
- Spôsob demontáže alebo inštalácie akumulátora nájdete v časti „Inštalácia alebo demontáž akumulátora“.
- Akumulátor pri likvidácii odstráňte z nástroja a zlikvidujte ho na bezpečnom mieste. Akumulátor zlikvidujte v súlade s miestnymi nariadeniami.
- Ak sa nástroj dlhší čas nepoužíva, odstráňte z neho akumulátor.
- Akumulátor neskratujte.
- Podrobné informácie týkajúce sa bezpečnostných opatrení počas údržby používateľom nájdete v kapitole „ÚDRŽBA“.

TECHNICKÉ ŠPECIFIKÁCIE

Model:	DCL284F	
Kapacita	730 ml	
Nepretržité používanie (s akumulátorom BL1830B)	1 (tichý režim)	Približne 38 min
	2 (režim normálnych otáčok)	Približne 21 min
	3 (režim vysokých otáčok)	Približne 15 min
	4 (režim maximálnych otáčok)	Približne 8 min
Celková dĺžka (s tyčou, hubicou a akumulátorom BL1830B)	1 066 mm	
Menovité napätie	Jednosmerný prúd 18 V	
Čistá hmotnosť	1,3 – 1,7 kg	

- Vzhľadom k neustálemu výskumu a vývoju podliehajú technické údaje uvedené v tomto dokumente zmenám bez upozornenia.
- Technické údaje sa môžu pre rôzne krajiny líšiť.
- Hmotnosť nezahŕňa žiadne ďalšie príslušenstvo s výnimkou akumulátora. V tabuľke sa uvádzajú kombinácie najnižšej a najvyššej hmotnosti príslušenstva a akumulátora.

Použiteľné akumulátory a nabíjačky

Akumulátor	BL1815N / BL1820B / BL1830B / BL1840B / BL1850B / BL1860B
Nabíjačka	DC18RC / DC18RD / DC18RE / DC18SD / DC18SE / DC18SF / DC18SH / DC18WC

- Niektoré vyššie uvedené akumulátory a nabíjačky môžu byť nedostupné v závislosti od miesta vášho bydliska.

⚠VAROVANIE: Používajte iba akumulátory a nabíjačky zo zoznamu uvedeného vyššie. Používanie akýchkoľvek iných akumulátorov a nabíjačiek môže spôsobiť zranenie a/alebo požiar.

Symboly

Nižšie sú uvedené symboly, ktoré sa môžu používať pri tomto nástroji. Je dôležité, aby ste poznali ich význam, skôr než začnete pracovať.



Prečítajte si návod na obsluhu.



Typická batéria použiteľná pre tento produkt.



Len pre štáty EÚ
Z dôvodu prítomnosti nebezpečných komponentov v zariadení môžu mať odpad z elektrických a elektronických zariadení, použité akumulátory a batérie negatívny vplyv na životné prostredie a ľudské zdravie.

Elektrické a elektronické zariadenia alebo akumulátory nelikvidujte spolu s komunálnym odpadom!

V súlade s európskou smernicou o odpade z elektrických a elektronických zariadení, o akumulátoroch a batériách a odpade z akumulátorov a batérií, ako aj v súlade s prispôbenými vnútroštátnymi právnymi predpismi by sa odpad z elektrických a elektronických zariadení a použité akumulátory a batérie mali uskladiňovať osobitne a odovzdávať na samostatnom zbernom mieste pre komunálny odpad, ktoré sa prevádzkuje v súlade s predpismi na ochranu životného prostredia.

Označuje to symbol preškrtnutej smetnej nádoby na zariadení.

Určené použitie

Tento nástroj je určený na vysávanie suchého prachu.

BEZPEČNOSTNÉ VAROVANIA

Bezpečnostné varovania pre akumulátorový vysávač

VAROVANIE: JE DÔLEŽITÉ, aby ste si PRED POUŽITÍM DÔKLADNE PREČÍTALI všetky varovania a pokyny. Nedodržovanie varovaní a pokynov môže mať za následok zasiahanutie elektrickým prúdom, požiar alebo vážne zranenie.

1. Nevystavujte dažďu. Skladujte v interiéri.
2. Nedovoľte, aby sa spotrebič používal ako hračka. Pokiaľ sa na mieste používania vyskytujú deti, je potrebné dávať veľký pozor.
3. Používajte len podľa pokynov v tomto návode. Používajte len doplnky schválené výrobcom.
4. Poškodený akumulátor nepoužívajte. Pokiaľ náradie nefunguje správnym spôsobom, spadlo, došlo k jeho poškodeniu, bolo ponechané vonku alebo spadlo do vody, odneste ho do servisného strediska.
5. S náradím nemanipulujte mokrymi rukami.

6. Do otvorov nepchajte žiadne predmety. Náradie nepoužívajte, pokiaľ sú otvory zablokované. Chráňte pred prachom, vláknami, vlasmi a všetkým, čo môže znížiť prietok vzduchu.
7. Vlasy, voľný odev, prsty a všetky časti tela majte v dostatočnej vzdialenosti od otvorov a pohyblivých súčastí.
8. Pred vybratím akumulátora vypnite všetky ovládacie prvky.
9. Maximálnu pozornosť venujte vysávaniu na schodoch.
10. Nepoužívajte na vysávanie horľavých alebo zápalných kvapalín, napríklad benzín, ani nepoužívajte na miestach, kde sa tieto kvapaliny môžu vyskytovať.
11. Na nabíjanie používajte jedine nabíjačku dodanú výrobcom.
12. Nevysávajte nič, čo horí alebo dymí, napríklad cigarety, zápalky alebo horúci popol.
13. Nepoužívajte bez založeného vrečka na prach a filtrov.
14. Akumulátor nenabíjajte v exteriéri.
15. Nabíjajte iba nabíjačkou určenou výrobcom. Nabíjačka vhodná pre jeden typ akumulátora môže pri inom type akumulátora spôsobiť riziko vzniku požiaru.
16. Elektrické zariadenia používajte iba s určeným typom akumulátora. Pri použití akýchkoľvek iných akumulátorových jednotiek vzniká riziko poranenia alebo požiaru.
17. Keď sa akumulátor práve nepoužíva, skladujte ho v bezpečnej vzdialenosti od iných kovových predmetov, akými sú sponky, mince, kľúče, klince, skrutky alebo iné malé kovové predmety, ktoré by mohli kontakty akumulátora skratovať.
18. Pri nevhodných podmienkach môže z akumulátora vytekať kvapalina. Nedotýkajte sa jej. Pri náhodnom kontakte ju opláchnite vodou.
19. Nepoužívajte akumulátor alebo zariadenie, ktoré sú poškodené alebo upravované. Fungovanie poškodených alebo upravovaných akumulátorov ťažko predvídať a môžu zapríčiniť požiar, výbuch alebo zranenie.
20. Akumulátor ani zariadenie nevystavujte ohňu či nadmernej teplote. Vystavenie ohňu alebo teplote nad 130 °C môže spôsobiť výbuch.
21. Dodržiavajte všetky pokyny pre nabíjanie a akumulátor ani zariadenie nenabíjajte v prípade prekročenia teplotného rozsahu uvedeného v návode. Nesprávne nabíjanie alebo nabíjanie pri teplotách mimo uvedeného rozsahu môže spôsobiť poškodenie akumulátora a zvýšiť riziko požiaru.

TIETO POKYNY USCHOVAJTE.

ĎALŠIE BEZPEČNOSTNÉ ZÁSADY

Toto zariadenie nie je určené na použitie v domácnosti.

1. Pred použitím si pozorne prečítajte tento návod na obsluhu a návod na obsluhu nabíjačky.
2. Nevysávajte nasledujúce materiály:
 - Horúce látky, ktoré horia alebo dymia (cigarety, zápalky, vonné tyčinky, sviečky, horúci popol), iskry a kovový prach tvorené pri rezaní alebo brúsení kovov atď.

- Horľavé kvapaliny (petrolej, benzín, rozpúšťadlá, ako je technický benzín, riedidlo atď.)
 - Horľavé materiály (tonery, farby, spreje atď.)
 - Výbušné látky alebo pyrotechnika (nitroglycerín, hliník, horčík, titán, zinok, červený fosfor, žltý fosfor, celulóza atď. a ich prach, plyn alebo výpara)
 - Kvapaliny, olej, vlhká špina alebo mokré odpadky vrátane zvrátok a exkrementov
 - Tvrdé kusy s ostrými hranami (drevené triesky, kovy, kamene, sklo, klince, špendlíky, žiletky alebo príbor)
 - Tvrdnúci a vodivý jemný prášok (kovový alebo uhľikový prášok)
 - Penové čistiace prostriedky, napríklad čistiaci prostriedok na koberce atď. (môžu spôsobiť explóziu alebo požiar)
 - Veľké množstvá prášku (múka, práškový hasiaci prostriedok atď.)
 - Látky, ktoré spôsobujú príznaky otravy
 - Agresívne chemikálie (kyseliny, zásady atď.)
 - Jemný viazuci sa prášok, napríklad cement
 - Jemné častice, napríklad betónový prach
 - Sušiace prostriedky
 - Azbest
 - Pesticidy
- Takéto činnosti môžu zapríčiniť vznik požiaru, poranenie alebo škody na majetku.
- Na elimináciu expozície týmto chemikáliám vždy používajte schválenú ochranu dýchacích ciest, ako sú napríklad protiprachové masky, ktoré sú špeciálne navrhnuté na filtrovanie mikroskopických častíc. Vypúšťaný vzduch smerujte preč od tváre a tela.
3. **Ak spozorujete niečo nezvyčajné, okamžite zastavte prácu.**
 4. **Ak vám vysávač spadne alebo ním narazíte, pred ďalším použitím pozorne skontrolujte, či na ňom nie sú praskliny alebo iné poškodenie.**
 5. **Nepribližujte sa k ním k sporákom ani iným zdrojom tepla.**
 6. **Neblokujte vstupný otvor ani vetracie otvory.**

TIETO POKYNY USCHOVAJTE.

Dôležité bezpečnostné a prevádzkové pokyny pre akumulátor

1. **Pred použitím akumulátora si prečítajte všetky pokyny a výstražné označenia na (1) nabíjačke akumulátorov, (2) akumulátore a (3) produkte používajúcom akumulátor.**
 2. **Akumulátor nerozoberajte ani neupravujte.** Môže to viesť k požiaru, nadmernému teplu alebo výbuchu.
 3. **Ak sa doba prevádzky príliš skráti, ihneď prerušte prácu.** Môže nastať riziko prehriatia, možných popálením či dokonca explózie.
 4. **V prípade zasiahnutia očí elektrolytom ich vypláchnite čistou vodou a okamžite vyhľadajte lekársku pomoc.** Môže dôjsť k strate zraku.
5. **Akumulátor neskratujte:**
 - (1) **Nedotýkajte sa konektorov žiadnym vodivým materiálom.**
 - (2) **Neskladujte akumulátor v obale s inými kovovými predmetmi, napríklad klíncami, mincami a pod.**
 - (3) **Akumulátor nevystavujte vode ani dažďu.** Skrat akumulátora môže spôsobiť veľký tok prúdu, prehriate, možné popálenie či dokonca poruchu.
 6. **Nástroj ani akumulátor neskladujte a nepoužívajte na miestach s teplotou presahujúcou 50 °C (122 °F).**
 7. **Akumulátor nespáľujte, ani keď je vážne poškodený alebo úplne opotrebovaný. Akumulátor môže v ohni explodovať.**
 8. **Akumulátor neprepichujte, neprerezávajte, nedrvtvte, nehádzte ani ho nenarúšajte údermi o tvrdé predmety.** Môže to viesť k požiaru, nadmernému teplu alebo výbuchu.
 9. **Nepoužívajte poškodený akumulátor.**
 10. **Lítium-iónové akumulátory, ktoré sú súčasťou náradia, podliehajú požiadavkám legislatívy o nebezpečnom tovare.**

V prípade obchodnej prepravy, napr. dodanie tretími stranami či špeditéri, sa musia dodržiavať špeciálne požiadavky na zabalenie a označenie. Pred prípravou položky na odoslanie sa vyžaduje konzultácia s odborníkom na nebezpečný materiál. Taktiež treba dodržiavať potenciálne podrobnejšie predpisy príslušnej krajiny.

Prelepte alebo zakryte otvorené kontakty a zabalte akumulátor tak, aby sa v balíku nemohol voľne pohybovať.
 11. **Akumulátor pri likvidácii odstráňte z nástroja a zlikvidujte ho na bezpečnom mieste. Akumulátor zlikvidujte v súlade s miestnymi nariadeniami.**
 12. **Akumulátory používajte iba s výrobkami uvedenými spoločnosťou Makita.** Inštalácia akumulátorov do nevyhovujúcich výrobkov môže spôsobiť požiar, nadmerné teplo, výbuch alebo únik elektrolytu.
 13. **Ak sa nástroj dlhší čas nepoužíva, odstráňte z neho akumulátor.**
 14. **Akumulátor sa môže počas používania a po použití zohriať, čo môže spôsobiť popálenie alebo popálenie aj pri relatívne nízkej teplote. Pri manipulácii s horúcimi akumulátormi dávajte pozor.**
 15. **Nedotýkajte sa svorky nástroja ihneď po použití, keďže sa mohla zohriať dostatočne na to, aby spôsobila popálenie.**
 16. **Zabráňte zachytávaniu triesok, prachu alebo zeme na svorkách, otvoroch a drážkach akumulátora.** Môže to spôsobiť zohriatie, požiar, výbuch a poruchu nástroja alebo akumulátora, v dôsledku čoho môže dôjsť k popáleninám alebo zraneniu osôb.
 17. **Pokiaľ nástroj nepodporuje použitie v blízkosti vysokonapäťových elektrických vedení, nepoužívajte akumulátor blízko vysokonapäťových elektrických vedení.** Môže to viesť k nesprávnemu fungovaniu alebo poškodeniu nástroja alebo akumulátora.
 18. **Akumulátor držte mimo dosahu detí.**

TIETO POKYNY USCHOVAJTE.

▲POZOR: Používajte len originálne akumulátory od spoločnosti Makita. Používanie batérií, ktoré nie sú od spoločnosti Makita, alebo upravených batérií môže spôsobiť výbuch batérie a následný požiar, zranenie osôb alebo poškodeniu majetku. Následkom bude aj zrušenie záruky od spoločnosti Makita na nástroj a nabíjačku od spoločnosti Makita.

Rady na udržanie maximálnej životnosti akumulátora

1. Akumulátor nabíte ešte predtým, ako sa úplne vybije. Vždy prerušte prácu s nástrojom a nabíte akumulátor, keď spozorujete nižší výkon nástroja.
2. Nikdy nenabíjate plne nabitý akumulátor. Prebíjanie skracuje životnosť akumulátora.
3. Akumulátor nabíjajte pri izbovej teplote 10 °C – 40 °C (50 °F – 104 °F). Pred nabíjaním nechajte horúci akumulátor vychladnúť.
4. Keď akumulátor nepoužívate, vyberte ho z nástroja alebo nabíjačky.
5. Litium-iónový akumulátor nabíte, ak ste ho nepoužívali dlhšie ako šesť mesiacov.

OPIS FUNKCIÍ

▲POZOR: Pred úpravou alebo kontrolou funkčnosti nástroja vždy skontrolujte, či je nástroj vypnutý a akumulátor je vybratý.

▲POZOR: Dávajte pozor, aby sa vám pri vkladaní akumulátora do vysávača do priestoru medzi nimi nedostali prsty. Zachytenie prstov v tomto priestore môže spôsobiť zranenie.

► Obr.1

Inštalácia alebo demontáž akumulátora

▲POZOR: Pred inštaláciou alebo vybratím akumulátora nástroj vždy vypnite.

▲POZOR: Pri inštalovaní a vyberaní akumulátora pevne uchopíte nástroj a akumulátor. Ak nástroj a akumulátor pevne neuchopíte, môže to mať za následok vyšmyknutie z vašich rúk s dôsledkom poškodenia nástroja a akumulátora, ako aj osobných poranení.

Ak chcete vybrať akumulátor, vysuňte ho z nástroja, pričom posuňte tlačidlo na prednej strane akumulátora.

- Obr.2: 1. Červený indikátor 2. Tlačidlo 3. Akumulátor

Akumulátor vložíte tak, že jazýček akumulátora zarovnáte s drážkou v kryte a zasuniete ho na miesto. Zatlačte ho úplne, kým zakliknutím nezapadne na miesto. Ak vidíte červený indikátor, ako je znázornené na obrázku, nie je správne zaistený.

▲POZOR: Akumulátor vždy nainštalujte úplne, až kým nie je vidieť červený indikátor. V opačnom prípade môže náhodne vypadnúť z nástroja a ublížiť vám alebo osobám v okolí.

▲POZOR: Pri inštalovaní akumulátora nepoužívajte silu. Ak sa akumulátor nedá zasunúť ľahko, nevkladáte ho správne.

System na ochranu nástroja/ akumulátora

Nástroj je vybavený systémom ochrany nástroja/akumulátora. Tento systém automaticky vypne napájanie motora s cieľom predĺžiť životnosť nástroja a akumulátora. Nástroj sa počas prevádzky automaticky zastaví v prípade, ak sa nástroj alebo akumulátor dostanú do jedného z nasledovných stavov.

Preťaženie:

Nástroj/akumulátor sa používa spôsobom, ktorý spôsobuje odber nadmerne vysokého prúdu.

V tejto situácii vypnite nástroj a ukončíte prácu, ktorá spôsobuje preťažovanie nástroja. Potom nástroj zapnute znovu spustíte.

Prehrievanie:

Prehriatie nástroja/akumulátora. V tejto situácii nechajte nástroj/akumulátor pred opätovným spustením vychladnúť.

Nízke napätie akumulátora:

Zostávajúca kapacita akumulátora je veľmi nízka a nástroj nebude fungovať. V tejto situácii akumulátor vyberte a nabíte ho.

Ochrana pred ďalšími nebezpečenstvami:

Systém ochrany bol navrhnutý tak, aby chránil aj pred ďalšími nebezpečenstvami, ktoré by mohli poškodiť nástroj, a zaisťuje automatické zastavenie nástroja. Ak sa nástroj dočasne zastavil alebo prerušil prevádzku, problém vyrieši vykonaním nasledujúcich krokov.

1. Reštartujte nástroj tak, že ho vypnete a potom znova zapnete.
2. Nabíte akumulátory alebo ich vymeňte za nabité akumulátory.
3. Nechajte nástroj aj akumulátory vychladnúť.

Ak po obnovení systému ochrany nedošlo k zlepšeniu stavu, obráťte sa na miestne servisné stredisko spoločnosti Makita.

Indikácia zvyšnej kapacity akumulátora

Len na akumulátory s indikátorom

► Obr.3: 1. Indikátor 2. Tlačidlo kontroly

Stlačením tlačidla kontroly na akumulátore zobrazíte zostávajúcu kapacitu akumulátora. Indikátory sa na niekoľko sekúnd rozsvietia.

Indikátory			Zostávajúca kapacita
Svieti	Nesvieti	Bliká	
			75 % až 100 %
			50 % až 75 %
			25 % až 50 %
			0 % až 25 %
			Akumulátor nabíe.
			Akumulátor je možno chybný.

POZNÁMKA: V závislosti od podmienok používania a v závislosti od okolitej teploty sa môže zobrazenie mierne odlišovať od skutočnej kapacity.

POZNÁMKA: Prvý (úplne vľavo) svetelný indikátor bude blikat, keď systém ochrany akumulátora funguje.

Zapínanie

► **Obr.4:** 1. Tlačidlo zmeny sacieho výkonu 2. Tlačidlo ON/OFF (ZAPNÚŤ/VYPNÚŤ)

Vysávač sa spúšťa jednoduchým stlačením tlačidla ON/OFF (ZAPNÚŤ/VYPNÚŤ). Na vypnutie znova stlačte tlačidlo ON/OFF (ZAPNÚŤ/VYPNÚŤ).

Sací výkon vysávača môžete meniť v štyroch krokoch stlačením tlačidla zmeny sacieho výkonu. Každým stlačením tohto tlačidla sa budú opakovane prepínať Tichý režim/Normálny režim/Režim vysokých otáčok/Režim maximálnych otáčok.

Úroveň	Indikácia	Režim
1		Tichý režim
2		Režim normálnych otáčok
3		Režim vysokých otáčok
4		Režim maximálnych otáčok

POZNÁMKA: Sací výkon môžete zmeniť ešte pred zapnutím vysávača.

POZNÁMKA: Vysávač sa spustí do prevádzky s rovnakým sacím výkonom ako pri poslednom použití.

Rozsvietenie kontrolky

POZOR: Nedívejte sa priamo do svetla ani jeho zdroja.

Na zapnutie svetelného indikátora stlačte tlačidlo zmeny sacieho výkonu. Svetelný indikátor zhasne asi po 10 sekundách.

Svetelný indikátor svieti, kým je vysávač v prevádzke. Svetelný indikátor zhasne asi 10 sekúnd po vypnutí.

POZNÁMKA: Ak je zostávajúca kapacita akumulátora nízka, svetelný indikátor začne blikat. Čas, kedy začne svetelný indikátor blikat, závisí od teploty na pracovisku a od stavu akumulátora.

► **Obr.5:** 1. Tlačidlo zmeny sacieho výkonu 2. Tlačidlo ON/OFF (ZAPNÚŤ/VYPNÚŤ) 3. Lampa

ZOSTAVENIE

POZOR: Pred vykonaním akejkoľvek práce na nástroji vždy skontrolujte, či je nástroj vypnutý a akumulátor je vybratý.

Popis súčastí

Voliteľné prislúšenstvo

Vysokovýkonný filter a podpera a penový filter

► **Obr.6:** 1. Puzdro 2. Vysokovýkonný filter 3. Podpera 4. Penový filter

Predfilter alebo vysokovýkonný filter a filter HEPA

► **Obr.7:** 1. Puzdro 2. Predfilter 3. Vysokovýkonný filter 4. Filter HEPA

UPOZORNENIE: Nepoužívajte vysokovýkonný filter spolu s voliteľným filtrom (netkaná textília). Filtry nemusia byť možné vybrať z vysávača.

POZNÁMKA: Neinštalujte voliteľný filter (netkaná textília) medzi filter HEPA a predfilter. Môže sa znížiť sací výkon.

POZNÁMKA: Vždy používajte vysokovýkonný filter, ktorý je v ráme s originálnou podperou, keď ho dávate na filter HEPA.

► **Obr.8:** 1. Vysokovýkonný filter 2. Podpera (určená pre vysokovýkonný filter)

Likvidácia prachu

POZOR: Vysávač vyprázdňte ešte pred úplným zaplnením, inak dôjde k zníženiu sacieho výkonu.

POZOR: Vnútro vysávača nezabudnite očistiť od prachu. V opačnom prípade môže dôjsť k upchaniu filtra alebo k poškodeniu motora.

Zachytávaniu prachu na filtri v puzdre zabránite, keď 4- alebo 5-krát poklepte rukou po puzdre.

► **Obr.9:** 1. Puzdro

Otočte nasávací otvor smerom nadol, otočte puzdro v smere šípky zobrazenej na schéme a pomaly a priamym smerom odpojte puzdro.

► **Obr.10:** 1. Puzdro 2. Nasávací otvor

POZNÁMKA: Po otvorení puzdra môže dôjsť k rozsypaniu prachu, preto pod puzdro podložte vrecko na odpadky.

Odstráňte nahromadený prach z vnútra puzdra a z vysokovýkonného filtra.

► **Obr.11:** 1. Puzdro 2. Vysokovýkonný filter

Vysokovýkonný filter otočte v smere šípky, čím uvoľníte zaistujúci okraj od jednotky vysávača; následne filter vytiahnite.

► **Obr.12:** 1. Zaistujúci okraj

POZNÁMKA: Pri používaní predfiltera takisto postupujte podľa postupu uvedeného vyššie.

Vyčistite jemný prach a jemným poklepaním odstráňte prach z vysokovýkonného filtra.

Spätná montáž

Pripojte vysokovýkonný filter. V tomto štádiu otočte vysokovýkonný filter tak, aby došlo k pevnému zablokovaniu zaistujúceho okraja k jednotke vysávača.

► **Obr.13:** 1. Vysokovýkonný filter

► **Obr.14:** 1. Zaistujúci okraj

UPOZORNENIE: Pred použitím vysávača vždy skontrolujte správnosť nasadenia vysokovýkonného filtra. V prípade nesprávneho nasadenia sa prach bude dostávať do krytu motora, dôsledkom čoho bude porucha motora.

Ak dôjde k problému opísanému ďalej, vysokovýkonný filter je nasadený nesprávne. Problém odstráňte jeho správnym nasadením.

Pripevnite puzdro. Zarovnajete znak na puzdre so znakom na rukoväti a následne pevne otočte puzdro v smere šípky, až kým nedôjde k jeho zablokovaniu.

► **Obr.15:** 1. Značka 2. Rukoväť 3. Puzdro

POZNÁMKA: Prach vždy odstraňujte v dostatočnom predstihu, pretože pokiaľ bude vo vysávači veľa prachu, dôjde k zníženiu sacieho výkonu.

Príklady problémov

Zaistujúci okraj vysokovýkonného filtra nie je pevne zablokovaný v drážke na skrini vysávača.

► **Obr.16:** 1. Zaistujúci okraj 2. Drážka skrine vysávača

Montáž a demontáž podpery/filtra HEPA

Voliteľné príslušenstvo

Pre podporu a penový filter

Ak chcete odstrániť podporu, prstami potlačte spodnú časť stĺpikov z podpory a uvoľníte drážku z výčnelka na vysávači. Potom vyberte penový filter.

► **Obr.17:** 1. Podpera 2. Penový filter

Pri vkladaní zarovnajete drážky na podpere s výčnelkami na vysávači a zatlačte, aby zacvakla.

Vložte penový filter medzi stĺpiky a dajte ho späť na pôvodné miesto.

Pre filter HEPA

Pri inštalácii filtra HEPA zarovnajete drážku filtra HEPA s výčnelkom na vysávači. Potom vložte predfilter alebo vysokovýkonný filter na filter HEPA a zaistíte otočením. Pri demontáži postupujte podľa postupu montáže v opačnom poradí.

► **Obr.18:** 1. Filter HEPA 2. Predfilter

► **Obr.19:** 1. Filter HEPA 2. Vysokovýkonný filter

PREVÁDZKA

▲POZOR: Pri práci s vysávačom sa nepribližujte tvárou k vetracím otvorom. Ak sa fúka do očí cudzie predmety, môže to spôsobiť zranenie.

Montáž a demontáž nadstavcov vysávača

▲POZOR: Po inštalácii nadstavcov skontrolujte, či sú pevne uchytené. Ak nadstavce nie sú správne nainštalované, môžu sa uvoľniť a spôsobiť poranenie.

▲POZOR: Pri demontáži nadstavcov dávajte pozor, aby ste si neudreli ruku o stenu a pod.

Pri používaní nadstavca s funkciou zaistenia

Nadstavec vkladajte cez nasávací otvor vysávača, kým nezacvakne. Uistite sa, že je nadstavec zaistený.

► **Obr.20:** 1. Nasávací otvor 2. Nadstavec s funkciou zaistenia 3. Háčik 4. Uvoľňovacie tlačidlo

UPOZORNENIE: Pri vkladaní nadstavca s funkciou zaistenia zarovnajete uvoľňovacie tlačidlo na vysávači s háčikom na nadstavci. Ak nie sú zarovnané, nadstavec sa nezaistí a môže sa uvoľniť z vysávača.

Pri vyberaní stlačte uvoľňovacie tlačidlo a zároveň vytiahnite nadstavec.

► **Obr.21:** 1. Uvoľňovacie tlačidlo 2. Nadstavec s funkciou zaistenia

Pri používaní nadstavca bez funkcie zaistenia

▲POZOR: Ak chcete pripojiť nadstavec bez funkcie zaistenia, otočte a zasuňte ho v smere šípky, aby bolo pripojenie počas používania zaistené. Pokiaľ chcete odpojiť nadstavec, otočte ho a vytiahnite v smere šípky. Ak nadstavec otočíte v opačnom smere, puzdro sa môže uvoľniť.

► **Obr.22**

Čistenie (vysávanie)

Hubica

Nasadte hubicu, keď chcete čistiť stoly, pracovné stoly, nábytok a pod. Hubica sa ľahko nasúva.

► **Obr.23:** 1. Hubica

Hubica + predlžovacia tyč (rovná trubica)

Predlžovacia tyč sa vkladá medzi hubicu a samotný vysávač. Toto usporiadanie je praktické pri vysávaní podlahy postojacky.

► **Obr.24:** 1. Hlavná časť vysávača 2. Predlžovacia tyč (rovná trubica) 3. Hubica

Štrbinová hubica

Nasadte štrbinovú hubicu, keď chcete vysávať v rohoch a štrbinách v aute alebo na nábytku.

► **Obr.25:** 1. Štrbinová hubica 2. Hlavná časť vysávača

Štrbinovú hubicu môžete uložiť do držiaka na hubicu.

► **Obr.26:** 1. Držiak na hubicu 2. Štrbinová hubica

⚠ POZOR: Dávajte pozor, aby ste si nepricvikli prsty medzi štrbinovú hubicu a držiak na hubicu. Zachytenie prstov v tomto priestore môže spôsobiť zranenie.

Štrbinová hubica + predlžovacia tyč (rovná trubica)

Toto usporiadanie použite v tesných rohoch, kam sa samotný vysávač nepretlačí, alebo na vysokých ťažko dosiahnuteľných miestach.

► **Obr.27:** 1. Štrbinová hubica 2. Predlžovacia tyč (rovná trubica) 3. Hlavná časť vysávača

Vysávanie bez hubice

Prášok a prach môžete vysávať aj bez hubice.

► **Obr.28**

Na vysávanie podlahy postojacky je pohodlné pripojiť k vysávaču predlžovaciu tyč.

► **Obr.29:** 1. Predlžovacia tyč (rovná trubica)

ÚDRŽBA

⚠ POZOR: Pred vykonaním kontroly alebo údržby vždy skontrolujte, či je nástroj vypnutý a akumulátor je vybitý.

Ak chcete udržať BEZPEČNOSŤ a BEZPORUCHOVOSŤ výrobku, prenechajte opravy, údržbu a nastavenie na autorizované alebo továrenské servisné centrá Makita, ktoré používajú len náhradné diely značky Makita.

Po použití

⚠ POZOR: Ak vysávač opriete o stenu bez akejkoľvek inej podpory, môže vysávač spadnúť, v dôsledku čoho môže dôjsť k zraneniu osôb alebo poškodeniu vysávača.

► **Obr.30**

Čistenie

⚠ POZOR: Filtre vyčistíte, keď sú zanesené. Ďalšie používanie v zanesenom stave môže spôsobiť nadmerné zahriatie alebo požiar.

UPOZORNENIE: Nepoužívajte benzín, riedidlo, alkohol ani podobné látky. Mohlo by to spôsobiť zmenu farby, deformácie alebo praskliny.

UPOZORNENIE: Neodfukujte prach usadený na vysávači pomocou odfukovača vzduchu. Spôsobí to vniknutie prachu do krytu a môže dôjsť k poruche.

UPOZORNENIE: Pred ďalším použitím umyte filtre dôkladne vysušte. Nedostatočne vysušené filtre môžu zapríčiniť slabý výkon nasávania a skrátiť životnosť motora.

UPOZORNENIE: Po vyčistení filtrov a penového filtra ich nezabudnite pred použitím nainštalovať späť. Ak použijete vysávač bez filtrov a penového filtra, dostane sa prach do krytu motora a spôsobí poruchu.

Hlavná časť vysávača

Z času na čas utrite vonkajšie plochy (telo vysávača) pomocou handričky navlhčenej v mydlovej vode.

Vyčistite aj sací otvor a montážnu oblasť filtrov.

► **Obr.31**

Vysokovýkonný filter

Keď je filter zanesený prachom a výkon vysávača slabne, vyperte filter v mydlovej vode. Pred použitím filter dôkladne vysušte.

► **Obr.32**

Filter HEPA

Voliteľné prislúšenstvo

UPOZORNENIE: Po HEPA filtri nešúchajte ani neškrabte tvrdými predmetmi, ako sú kefka a škrabka.

Zanesený HEPA filter spôsobuje slabý sací výkon. Filter občas vyčistite.

Príležitostne vyperte filter HEPA vo vode, opláchnite ho a pred použitím nechajte dôkladne vyschnúť na tienistom mieste. Filter nikdy neperte v práčke.

► **Obr.33**

Penový filter

Keď je penový filter znečistený, vyčistíte ho nasledujúcim spôsobom.

1. Odstráňte filtre, ktoré prekrývajú podporu.
2. Vytiahnite penový filter z priestoru medzi stĺpkami.
3. Penový filter vyprášte alebo umyte. Ak filter umyjete, pred použitím ho dôkladne vysušte.
4. Vložte penový filter do priestoru medzi stĺpkami a dajte ho späť na pôvodné miesto. Uistite sa, že spodný okraj každého stĺpika pridržiava penový filter, a že medzi penovým filtrom a nasávacím otvorom nie je žiadna medzera.

► **Obr.34:** 1. Penový filter 2. Spodný okraj stĺpika

Nástenný držiak pre akumulátorový vysávač

Voliteľné príslušenstvo

POZNÁMKA: Skrutka na montáž držiaka nie je súčasťou balenia. Pripravte si skrutku, ktorá je vhodná pre materiál, do ktorého ju chcete zavŕtať.

Nástenný držiak pre akumulátorový vysávač pripievajte na tvrdú drevenú stenu, trám alebo stĺp, kde sa nástenný držiak pre akumulátorový vysávač dá pevne prichytiť. Pred zavesením vysávača sa uistite, že nástenný držiak pre akumulátorový vysávač je pevne prichytený.

► **Obr.35:** 1. Nástenný držiak pre akumulátorový vysávač

⚠POZOR: Vysávač nevešajte na nástenný držiak prudko, ani na držiak nevešajte iné predmety ako vysávač.

Odstraňovanie problémov

Skôr, než požiadate o opravu, preverte nasledujúce body.

Príznak	Čo treba skontrolovať	Spôsob nápravy
Slabý sací výkon	Je puzdro plné prachu?	Vyprázdňte prach z puzdra.
	Je filter upchatý?	Vyčistite alebo opláchnite filter.
	Je akumulátor vybitý?	Akumulátor nabite.
Náradie nefunguje	Je akumulátor vybitý?	Akumulátor nabite.
Hluk a vibrácie	Je filter upchatý?	Vyčistite alebo opláchnite filter.
	Sú hubica, trubica alebo nasávací otvor spotrebiča zanesené?	Odstráňte zanesenie z hubice, trubice alebo nasávacieho otvoru spotrebiča.
	Je zablokovaná hubica/vstup trubice?	Neblokujte hubicu/vstup trubice.

⚠POZOR: Opravu sa nepokúšajte vykonať sami.

VOLITEL'NÉ PRÍSLUŠENSTVO

⚠POZOR: Pre váš nástroj Makita, opísaný v tomto návode, doporučujeme používať toto príslušenstvo a nástavce. Pri použití iného príslušenstva či nástavcov môže hroziť nebezpečenstvo zranenia osôb. Príslušenstvo a nástavce sa môžu používať len na účely pre ne stanovené.

Ak potrebujete bližšie informácie týkajúce sa tohoto príslušenstva, obráťte sa na vaše miestne servisné stredisko firmy Makita.

- Predlžovacia tyč (rovná trubica)
- Hubica
- Hubica na vysávanie kobercov
- Kefka na vysávanie políc
- Štrbinová hubica
- Okrúhla kefka
- Ohybná hadica
- Filter (netkaná textília)

- Predfilter
- Vysokovýkonný filter
- Filter HEPA
- Hubica na čalúnenie
- Štrbinová hubica
- Nástenný držiak pre akumulátorový vysávač
- Cyklónová jednotka
- Cyklónový nadstavce
- Taška na náradie
- Originálna batéria a nabíjačka Makita

POZNÁMKA: Niektoré položky zo zoznamu môžu byť súčasťou balenia nástrojov vo forme štandardného príslušenstva. Rozsah týchto položiek môže byť v každej krajine odlišný.

Cyklónový nadstavec

Volitelné príslušenstvo

- **Obr.36:** 1. Uvoľňovacie tlačidlo 2. Háčik
3. Predlžovacia tyč (rovná trubica)
4. Cyklónový nadstavec 5. Nasávací otvor

O cyklónovom nadstavci

Používanie vysávača s namontovaným cyklónovým nadstavcom znižuje množstvo prachu, ktoré sa dostane do puzdra, čo pomáha zabrániť zníženiu sacej sily. Okrem toho je jednoduchšie aj čistenie po použití.

⚠ POZOR: Pred vykonaním akejkoľvek práce na nástroji vždy skontrolujte, či je nástroj vypnutý a akumulátor vybrať. Ak ostane akumulátor vložený, vysávač sa môže neočakávane zapnúť a spôsobiť zranenie.

⚠ POZOR: Vyčistíte sitkový filter cyklónového nadstavca a filtre vysávača, keď sa upchajú. Ich ďalšie používanie v upchatom stave môže spôsobiť nadmerné zohriatie alebo dym.

UPOZORNENIE: Keď je pripojený cyklónový nadstavec, vysávač nepoužívajte vo vodorovnej polohe alebo v polohe smerom hore. V opačnom prípade sa môže sitkový filter upchať.

UPOZORNENIE: Vysávač používajte vždy s nainštalovanými filtermi, aj keď používate cyklónový nadstavec. Používanie vysávača bez nainštalovaných filtrov môže spôsobiť poruchu motora.

POZNÁMKA: Pred použitím skontrolujte, či sú cyklónový nadstavec, vysávač a predlžovacia tyč (rovná trubica) riadne zaistené.

POZNÁMKA: Keď sa prach nahromadí, vyprázdňte nádobu na prach cyklónového nadstavca a puzdro vysávača. Ďalšie používanie spôsobí zníženie sacieho výkonu.

POZNÁMKA: Cyklónový nadstavec môžete použiť aj bez funkcie zaistenia.

POZNÁMKA: Pri montáži alebo demontáži cyklónového nadstavca si pozrite časť „Montáž a demontáž nadstavcov vysávača“.

Vyprázdnenie prachu

Keď sa prach nahromadí až po plnú čiaru nádoby na prach, vyprázdňte ho podľa nasledujúcich pokynov.

1. Pevne uchopíte nádobu na prach, stlačte a držte dve tlačidlá a nádobu na prach vyberte.

► **Obr.37:** 1. Plná čiara 2. Nádobu na prach
3. Tlačidlo (dve miesta) 4. Sitkový filter

2. Vyprázdňte prach z nádoby na prach a odstráňte prach a jemný prach nalepené na povrchu sitkového filtra.

3. Nádobu na prach vložte úplne dnu, kým sa dve tlačidlá nezaistia zavaknutím.

► **Obr.38:** 1. Nádobu na prach 2. Tlačidlo (dve miesta)

⚠ POZOR: Pri opätovnej montáži nádoby na prach dávajte pozor, aby ste si neprivrelí prsty.

POZNÁMKA: Pred opätovným použitím skontrolujte, či sú cyklónový nadstavec, vysávač a predlžovacia tyč (rovná trubica) riadne zaistené.

POZNÁMKA: Ak sa sacia sila neobnoví ani po vyprázdnení prachu a vyčistení sitkového filtra, skontrolujte, či nie je nahromadený prach v puzdre vysávača alebo či nedošlo k upchatiu.

POZNÁMKA: Prach sa môže pri vyprázdňovaní cyklónového nadstavca rozptýliť okolia. Dávajte pozor, aby sa vám prach nedostal do očí.

Čistenie

⚠ POZOR: Pred ďalším použitím umytý cyklónový nadstavec dôkladne vysušte. Nedostatočne vysušené komponenty môžu viesť k zásahu elektrickým prúdom alebo poškodeniu spotrebiča.

Keď sa znečistí nádobu na prach alebo sa upchá sitkový filter, vyberte ich a umyte vo vode. (Postup pri vyberaní nájdete v časti „Vyprázdnenie prachu“.)

Súčasťou pred opätovným vložením a použitím dôkladne vysušte.

- **Obr.39:** 1. Nádobu na prach 2. Sitkový filter

Keď sa sitkový filter veľmi znečistí, vyčistíte ho podľa nasledujúceho postupu.

1. Otočíte sitkový filter v smere šípky, a keď sú háčiky odistené, vyberte ho.

► **Obr.40:** 1. Sitkový filter 2. Háčik

2. Odstráňte prach na sitkovom filteri a umyte ho vo vode. Potom ho dôkladne vysušte.

3. Sitkový filter vložte do základne a háčiky zarovnajete s otvorom. Otáčajte sitkovým filterom v smere šípky, kým sa háčiky s cvaknutím nezaistia. Uistite sa, že je sitkový filter bezpečne nainštalovaný.

► **Obr.41:** 1. Sitkový filter 2. Háčik 3. Otvor

VAROVÁNÍ

- Zařízení mohou používat děti od 8 let a osoby s omezenými fyzickými, smyslovými či duševními schopnostmi nebo s nedostatečnými zkušenostmi a znalostmi, jestliže jsou pod dohledem nebo pokud byly poučeny ohledně bezpečného používání výrobku a rozumí souvisejícím rizikům.
- Nedovoďte dětem, aby si se zařízením hrály. Čištění a uživatelskou údržbu nesmí provádět děti bez dozoru.
- Referenční typ akumulátoru naleznete v kapitole „SPECIFIKACE“.
- Postup sejmutí a nasazení akumulátoru naleznete v části „Nasazení a sejmutí akumulátoru“.
- Při likvidaci akumulátoru jej vyjměte z nářadí a zlikvidujte jej na bezpečném místě. Při likvidaci akumulátoru postupujte podle místních předpisů.
- Pokud nářadí delší dobu nepoužíváte, je nutné z něj akumulátor vyjmout.
- Akumulátor nezkratujte.
- Příslušné podrobnosti o opatřeních během uživatelské údržby viz kapitola „ÚDRŽBA“.

SPECIFIKACE

Model:	DCL284F	
Kapacita	730 mL	
Opakované použití (s akumulátorem BL1830B)	1 (tichý režim)	Přibl. 38 min
	2 (režim normálních otáček)	Přibl. 21 min
	3 (režim vysokých otáček)	Přibl. 15 min
	4 (režim maximálních otáček)	Přibl. 8 min
Celková délka (s trubicí, hubicí a akumulátorem BL1830B)	1 066 mm	
Jmenovité napětí	18 V DC	
Čistá hmotnost	1,3–1,7 kg	

- Vzhledem k neustálému výzkumu a vývoji zde uvedené technické údaje podléhají změnám bez upozornění.
- Specifikace se mohou pro různé země lišit.
- Uvedená hmotnost nezahrnuje příslušenství kromě akumulátorů. Tabulka uvádí nejlehčí a nejtěžší kombinace zařízení a akumulátorů.

Použitelný akumulátor a nabíječka

Akumulátor	BL1815N / BL1820B / BL1830B / BL1840B / BL1850B / BL1860B
Nabíječka	DC18RC / DC18RD / DC18RE / DC18SD / DC18SE / DC18SF / DC18SH / DC18WC

- V závislosti na regionu vašeho bydliště nemusí být některé akumulátory a nabíječky k dispozici.

VAROVÁNÍ: Používejte pouze výše uvedené akumulátory a nabíječky. Použití jiných akumulátorů a nabíječek může způsobit zranění a/nebo požár.

Symboly

Níže jsou uvedeny symboly, se kterými se můžete při použití nářadí setkat. Je důležité, abyste dříve, než s ním začnete pracovat, pochopili jejich význam.



Přečtěte si návod k obsluze.



V tomto výrobku je použit reprezentativní akumulátor.



Ni-MH
Li-Ion

Pouze pro země EU
Z důvodu přítomnosti nebezpečných součástí v zařízení mohou odpadní elektrické a elektronické zařízení, akumulátory a baterie negativně ovlivnit životní prostředí a lidské zdraví.
Elektrické a elektronické spotřebiče ani akumulátory nevyhazujte do domovního odpadu! V souladu s evropskou směrnicí o odpadních elektrických a elektronických zařízeních, akumulátorech a bateriích a odpadních akumulátorech a bateriích, stejně jako jejím přírůbkem ve vnitrostátním právu, by odpadní elektrická zařízení, baterie a akumulátory měly být uchovávány odděleně a měly by být odevzdány na vyhrazeném sběrném místě komunálního odpadu, které je provozováno v souladu s předpisy na ochranu životního prostředí. Toto je označeno symbolem přeškrtnuté popelnice na kolečkách, který je umístěn na zařízení.

Účel použití

Nástroj je určen k vysávání suchého prachu.

BEZPEČNOSTNÍ VÝSTRAHY

Bezpečnostní varování k akumulátorovému vysavači

VAROVÁNÍ: DŮLEŽITÉ: PŘED POUŽITÍM SI POZORNĚ PŘEČTĚTE veškeré bezpečnostní výstrahy a všechny pokyny. Zanedbání výstrah a pokynů může mít za následek úraz elektrickým proudem, vznik požáru nebo vážné zranění.

1. Nevystavujte zařízení dešti. Skladujte ve vnitřních prostorech.
2. Nedovolte, aby si se zařízením hrály děti. Při používání dětmi nebo v jejich blízkosti je vyžadována zvýšená pozornost.
3. Se zařízením pracujte pouze v souladu s touto příručkou. Používejte pouze nástavce doporučené výrobcem.
4. Přístroj nepoužívejte s poškozeným akumulátorem. Jestliže zařízení nepracuje správně, upadlo, bylo poškozeno, ponecháno venku nebo spadlo do vody, předejte je k opravě v servisním středisku.
5. Se zařízením nemanipulujte mokřýma rukama.

6. Nevkládejte žádné předměty do otvorů. S vysavačem nepracujte, pokud je nějaký otvor zablokovan – otvory udržujte v čistotě od prachu, chuchvalců, vlasů a všech nečistot, jež by mohly bránit průchodu vzduchu.
7. Vlasy, volný oděv, prsty a žádné části těla nepřibližujte k otvorům a pohyblivým částem.
8. Před vyjmutím akumulátoru vypněte všechny ovládací prvky.
9. Zvláště opatrní buďte při práci na schodech.
10. Přístroj nepoužívejte k vysávání hořlavých či zápalných kapalin, například benzínu, a nepracujte v místech, kde se tyto látky mohou vyskytovat.
11. K nabíjení používejte pouze nabíječku doporučenou výrobcem.
12. Nevysávejte nic hořícího či doutnajícího, například cigarety, zápalky ani horký popel.
13. Nepoužívejte bez vaku na prach nebo filtrů.
14. Nenabíjejte akumulátor venku.
15. Nabíjení provádějte pouze pomocí nabíječky určené výrobcem. Nabíječka vhodná pro jeden typ akumulátorů může při použití s jiným akumulátorem vést ke vzniku nebezpečí požáru.
16. Zařízení používejte pouze s určenými akumulátory. Použití jiných akumulátorů může vyvolat nebezpečí zranění a požáru.
17. Není-li akumulátor používán, uložte jej v místě bez kovových předmětů, jimiž jsou například kancelářské sponky, mince, klíče, hřebíky, šrouby či jiné drobné kovové předměty, jež by mohly spojit kontakty.
18. Při hrubém zacházení může z akumulátoru uniknout elektrolyt. Vyvarujte se styku s ním. Pokud dojde k náhodnému kontaktu, omyjte zasažené místo vodou.
19. Nepoužívejte poškozený nebo upravený akumulátor nebo zařízení. U poškozených nebo upravených akumulátorů může dojít k neočekávanému chování, které může mít za následek požár, výbuch nebo riziko poranění.
20. Akumulátor nebo zařízení nevystavujte ohni ani nadměrným teplotám. Při vystavení žáru ohně nebo teplotám nad 130 °C může dojít k výbuchu.
21. Postupujte dle pokynů pro nabíjení a akumulátor nebo zařízení nenabíjejte mimo teplotní rozsah specifikovaný v pokynech. Nesprávné nabíjení při teplotách mimo stanovený rozsah může poškodit akumulátor a zvýšit riziko požáru.

TYTO POKYNY USCHOVEJTE.

DOPLŇKOVÁ BEZPEČNOSTNÍ PRAVIDLA

Toto zařízení je určeno k použití v domácnosti.

1. Před použitím si pozorně přečtěte tento návod k obsluze a návod k obsluze nabíječky.
2. Nevysávejte následující materiály:
 - Horké látky, které hoří nebo kouří (cigarety, zápalky, vonné tyčinky, svíčky, horký popel), jiskry a kovový prach vznikající při řezání nebo broušení kovu atd.

- Hořlavá kapalina (petrolej, benzin, rozpouštědla jako technický benzin, ředidla atd.)
- Hořlavý materiál (tónovač, barva, sprej atd.)
- Výbušné nebo samozápalné látky (nitroglycerin, hliník, hořčík, titan, zinek, červený fosfor, žlutý fosfor, celulóid atd. a jejich prach, plyn nebo pára)
- Tekutina, olej, mokrá špina nebo vlhké odpadky, včetně zvratků a exkrementů
- Tvrdé střepy s ostrými hranami, (dřevěné třísky, kovové, kamenné a skleněné odštěpky, hřebíky, špendlíky, holící čepelky nebo přístroje)
- Tuhnoucí a vodivý jemný prášek (kovový nebo uhlíkový prášek)
- Pěna jako prostředek na čištění koberců atd. (mohou způsobit výbuch nebo požár)
- Velké množství práškových hmot (mouka, prášek do hasicích strojů atd.)
- Látky způsobující toxické příznaky
- Agresivní chemikálie (kyseliny, zásady atd.)
- Jemný pojící prášek, např. cement
- Jemné částice, například betonový prach
- Vysoušedla
- Azbest
- Pesticidy

Takový postup může způsobit požár, zranění či škody na majetku.

Chcete-li omezit vystavení se těmto látkám, vždy a používejte schválené prostředky pro ochranu dýchacího ústrojí, jako například protiprachové masky speciálně určené k odfiltrování mikroskopických částic. Odváděný vzduch směřujte od obličeje a těla.

3. Pokud si během provozu povšimnete čehokoliv neobvyklého, přerušete okamžitě práci.
4. Pokud vysavač upustíte nebo do něho silně bouchnete, zkontrolujte před použitím, zda nedošlo k jeho poškození.
5. Udržujte jej v bezpečné vzdálenosti od spárků a jiných zdrojů tepla.
6. Neblokujte nasávací otvor a větrací otvory.

TYTO POKYNY USCHOVEJTE.

Důležitá bezpečnostní upozornění pro akumulátor

1. Před použitím akumulátoru si přečtěte všechny pokyny a varovné symboly na (1) nabíječe, (2) akumulátoru a (3) výrobku využívajícím akumulátor.
2. Nerozebírejte akumulátor ani do něj nijak nezasahujte. Může dojít k požáru, nadměrnému zahřátí nebo výbuchu.
3. Pokud se příliš zkrátí provozní doba akumulátoru, přerušete okamžitě práci. V opačném případě existuje riziko přehřívání, popálení nebo dokonce výbuchu.
4. Budou-li vaše oči zasaženy elektrolytem, vypláchněte je čistou vodou a okamžitě vyhledejte lékařskou pomoc. Může dojít ke ztrátě zraku.

5. Akumulátor nezkratujte:

- (1) Nedotýkejte se svorek žádným vodivým materiálem.
- (2) Neskladujte akumulátor v nádobě s jinými kovovými předměty, jako jsou hřebíky, mince, apod.
- (3) Nevystavujte akumulátor vodě a dešti. Zkrat akumulátoru může způsobit velký proud proud, přehřátí, možné popálení a dokonce i poruchu.
6. Neskladujte a nepoužívejte nářadí a akumulátor na místech, kde může teplota překročit 50 °C (122 °F).
7. Nespalujte akumulátor, ani když je vážně poškozen nebo úplně nepoužitelný. Akumulátor může v ohni vybuchnout.
8. Akumulátor nesmí být proražen hřebíkem, řezán, drčen, házen či upuštěn na zem, ani nesmí dojít k nárazu tvrdého předmětu do něj. Taková situace může způsobit požár, nadměrné zahřátí či výbuch.
9. Nepoužívejte poškozené akumulátory.
10. Obsažené lithium-iontové akumulátory podléhají právním požadavkům na nebezpečné zboží.

V případě komerční přepravy například externími dopravci je třeba dodržet zvláštní požadavky na balení a značení.

Pro přípravu zboží k přepravě je nutná konzultace s odborníkem na nebezpečný materiál. Dodržujte také případné podrobnější národní předpisy. Odkryté kontakty přelepte izolační páskou či jinak zakryjte a akumulátory zabalte tak, aby se v balení nemohly pohybovat.

11. Při likvidaci akumulátoru jej vyjměte z nářadí a zlikvidujte jej na bezpečném místě. Při likvidaci akumulátoru postupujte podle místních předpisů.
12. Akumulátor používejte pouze s výrobky specifikovanými společností Makita. Instalace akumulátoru do nevhodujících výrobků může způsobit požár, nadměrné zahřívání, explozi nebo únik elektrolytu.
13. Pokud nářadí delší dobu nepoužíváte, je nutné z něj akumulátor vyjmout.
14. Během a po použití se může akumulátor zahřát, což může způsobit popálení nebo podráždění. Při manipulaci s horkými akumulátory dávejte pozor.
15. Nedotýkejte se koncovky na nářadí ihned po použití, protože ta může být horká a způsobit popálení.
16. Do koncovek, otvorů a zdířek na akumulátoru se nesmí dostat piliny, prach nebo jiné nečistoty. To může způsobit zahřátí, vznícení, prasknutí a poruchu nářadí nebo akumulátoru, což může vést k popáleninám nebo zranění osob.
17. Jestliže nářadí není zkonstruováno tak, že jej lze používat v blízkosti vysokého elektrického napětí, nepoužívejte akumulátor poblíž vedení s vysokým elektrickým napětím. Mohlo by tím dojít k poruše či selhání nářadí či akumulátoru.
18. Akumulátor uchovávejte mimo dosah dětí.

TYTO POKYNY USCHOVEJTE.

⚠ UPOZORNĚNÍ: Používejte pouze originální akumulátory Makita. Používání neoriginálních nebo upravených akumulátorů může způsobit explozi akumulátoru a následný požár, zranění a jiné poškození. Zaniká tím také záruka společnosti Makita na nářadí a nabíječku Makita.

Typy k zajištění maximální životnosti akumulátoru

1. Akumulátor nabíjete dříve, než dojde k jeho úplnému vybití. Pokud si povšimnete sníženého výkonu nářadí, vždy jej zastavte a dobijte akumulátor.
2. Nikdy nenabíjete úplně nabitý akumulátor. Přebíjení zkracuje životnost akumulátoru.
3. Akumulátor dobíjete při pokojové teplotě od 10 °C do 40 °C (50 °F až 104 °F). Před nabíjením nechejte horký akumulátor zchladnout.
4. Když není akumulátor používán, vyjměte ho z nářadí či nabíječky.
5. Pokud se akumulátor delší dobu nepoužívá (déle než šest měsíců), je nutno jej dobít.

POPIS FUNKCÍ

⚠ UPOZORNĚNÍ: Před nastavováním nářadí nebo kontrolou jeho funkce se vždy přesvědčte, zda je vypnuté a je vyjmutý akumulátor.

⚠ UPOZORNĚNÍ: Dejte pozor, abyste si při nasazování akumulátoru nepřiskřípli prsty mezi vysavač a akumulátor (viz obrázek). Přiskřípnutí prstů může způsobit zranění.

► Obr.1

Nasazení a sejmутí akumulátoru

⚠ UPOZORNĚNÍ: Před nasazením či sejmутím akumulátoru nářadí vždy vypněte.

⚠ UPOZORNĚNÍ: Při nasazování či snímání akumulátoru pevně držte nářadí i akumulátor. V opačném případě vám může nářadí nebo akumulátor vyklouznout z rukou a mohlo by dojít k jejich poškození či ke zranění.

Chcete-li akumulátor sejmout, vysuňte jej se současným přesunutím tlačítka na přední straně akumulátoru.
► Obr.2: 1. Červený indikátor 2. Tlačítko 3. Akumulátor

Při nasazování akumulátoru vyrovnejte jazyček na bloku akumulátoru s drážkou v krytu a zasuněte akumulátor na místo. Akumulátor zasuněte na doraz, až zacvakne na své místo. Není-li zcela zajištěn, uvidíte červený indikátor dle obrázku.

⚠ UPOZORNĚNÍ: Akumulátor zasunujte vždy zcela tak, aby nebyl červený indikátor vidět. Jinak by mohl akumulátor ze zařízení vypadnout a způsobit zranění obsluze či přihlížejícím osobám.

⚠ UPOZORNĚNÍ: Akumulátor nenasazujte násilím. Nelze-li akumulátor zasunout snadno, nevkládáte jej správně.

System ochrany nářadí a akumulátoru

Nářadí je vybaveno systémem ochrany nářadí a akumulátoru. Tento systém automaticky přeruší napájení motoru, aby se prodloužila životnost nářadí a akumulátoru. Budou-li nářadí nebo akumulátor vystaveny některé z níže uvedených podmínek, nářadí se během provozu automaticky vypne.

Přetížení:

S nářadím/akumulátorem se pracuje takovým způsobem, že dochází k odběru mimořádně vysokého proudu.

V takové situaci nářadí vypnete a ukončete činnost, při níž došlo k přetížení nářadí. Potom nářadí zapnete a obnovte činnost.

Došlo k přehřátí:

Nářadí/akumulátor jsou přehřátá. V takovém případě nechte nářadí/akumulátor před opětovným zapnutím vychladnout.

Nízké napětí akumulátoru:

Zbývající kapacita akumulátoru je příliš nízká a nářadí nebude fungovat. V takovém případě vyjměte akumulátor a dobijte jej.

Ochrana proti jiným příčinám:

Systém ochrany je také navržen i pro jiné příčiny, které by mohly nářadí poškodit, a umožňuje automatické zastavení nářadí. Když se nářadí dočasně pozastaví nebo přestane pracovat, proveďte veškeré následující kroky k odstranění příčin.

1. Restartujte nářadí jeho vypnutím a opětovným zapnutím.
2. Nabijte akumulátor(y) nebo jej (je) vyměňte za nabitý (nabité).
3. Nechte nářadí a akumulátor(y) vychladnout.



















Pokud se obnovou systému ochrany nedosáhne žádného zlepšení, obraťte se na místní servisní středisko společnosti Makita.

Indikace zbývající kapacity akumulátoru

Pouze pro akumulátory s diodovým ukazatelem

► Obr.3: 1. Kontrolky 2. Tlačítko kontroly

Stisknutím tlačítka kontroly na akumulátoru zjistíte zbývající kapacitu akumulátoru. Kontrolky indikátoru se na několik sekund rozsvítí.

Kontrolky			Zbývající kapacita
 Svítí	 Nesvítí	 Bliká	
			75 % až 100 %
			50 % až 75 %
			25 % až 50 %
			0 % až 25 %
			Nabíjete akumulátor.
 	 	 	Došlo pravděpodobně k poruše akumulátoru.





POZNÁMKA: Kapacita udávaná indikátorem se může mírně lišit od skutečné kapacity v závislosti na podmínkách používání a teplotě prostředí.

POZNÁMKA: První kontrolka (zcela vlevo) bude blikat, když je systém ochrany akumulátoru v provozu.

Používání spouště

► **Obr.4:** 1. Tlačítko změny sacího výkonu 2. Tlačítko ON/OFF

Vysavač spustíte jednoduše stisknutím tlačítka ON/OFF. Vypnutí provedete opětovným stisknutím tlačítka ON/OFF. Sací výkon vysavače můžete měnit ve čtyřech krocích stisknutím tlačítka změny sacího výkonu. Každé stisknutí tlačítka listuje cyklem režimů: tichý režim/režim normálních otáček/režim vysokých otáček/režim maximálních otáček.

Úroveň	Kontrolka	Režim
1		Tichý režim
2		Režim normálních otáček
3		Režim vysokých otáček
4		Režim maximálních otáček

POZNÁMKA: Sací výkon můžete změnit i před spuštěním vysavače.

POZNÁMKA: Vysavač se spustí při stejné úrovni sacího výkonu jako při posledním provozu.

Rozsvícení světla

▲UPOZORNĚNÍ: Nedívejte přímo do světla nebo jeho zdroje.

Světlo zapnete stisknutím tlačítka změny sacího výkonu. Světlo se vypne přibližně za 10 sekund. Během provozu vysavače světlo svítí. Světlo zhasne přibližně za 10 sekund po zastavení provozu.

POZNÁMKA: Při nízké zbývající kapacitě akumulátoru začne světlo blikat. Doba, kdy začne světlo blikat, závisí na teplotě na pracovišti a stavu akumulátoru.

► **Obr.5:** 1. Tlačítko změny sacího výkonu 2. Tlačítko ON/OFF 3. Světlo

SESTAVENÍ

▲UPOZORNĚNÍ: Před prováděním jakýchkoli prací na nářadí se vždy přesvědčte, zda je vypnuté a je vyjmutý akumulátor.

Popis součástí

Volitelné příslušenství

Vysoce účinný filtr a košík s pěnovým filtrem

► **Obr.6:** 1. Pouzdro 2. Vysoce účinný filtr 3. Košík 4. Pěnový filtr

Předfiltr nebo vysoce účinný filtr a HEPA filtr

► **Obr.7:** 1. Pouzdro 2. Vstupní filtr 3. Vysoce účinný filtr 4. HEPA filtr

POZOR: Nepodkládejte vysoce účinný filtr volitelným filtrem (netkaná tkanina). Filtry nebylo možné z vysavače vyjmout.

POZNÁMKA: Neinstalujte volitelný filtr (netkaná tkanina) mezi HEPA filtr a vstupní filtr. Mohlo by dojít ke snížení sacího výkonu.

POZNÁMKA: Vždy používejte vysoce účinný filtr, který je orámován originálně navrženým košíkem, když jej pokládáte přes HEPA filtr.

► **Obr.8:** 1. Vysoce účinný filtr 2. Košík (určený pro vysoce účinný filtr)

Vysypávání prachu

▲UPOZORNĚNÍ: Vyprázdněte vysavač před tím, než bude příliš plný, nebo když se sníží síla sání.

▲UPOZORNĚNÍ: Také vyčistěte od prachu vnitřní prostor vysavače. V opačném případě může dojít k ucpání filtru nebo poškození motoru.

Prach upělý na filtru v pouzdru odstraníte poklepnáním na pouzdro rukou (4krát či 5krát).

► **Obr.9:** 1. Pouzdro

Nasměrujte sací otvor dolů, otočte pouzdem ve směru šipky podle obrázku a pouzdro pomalu zpřímá vytáhněte.

► **Obr.10:** 1. Pouzdro 2. Vstup sání

POZNÁMKA: Při otevření pouzdra se může rozsypat prach – pod pouzdro si položte sáček na smetí.

Z vnitřku pouzdra a vysoce účinného filtru odstraňte nahromaděný prach.

► **Obr.11:** 1. Pouzdro 2. Vysoce účinný filtr

Vysoce účinným filtrem otočte ve směru šipky, uvolněte zajišťovací výstupek z jednotky vysavače a pak filtr vyjměte.

► **Obr.12:** 1. Zajišťovací výstupek

POZNÁMKA: Pokud používáte předfiltr, postupujte také podle pokynů výše.

Odstraňte jemný prach a lehce poklepejte na vysoce účinný filtr, abyste uvolnili všechny prach.

Sestavení

Připojte vysoce účinný filtr. Nyní zajistíte natočení vysoce účinného filtru tak, aby byl zajišťovací výstupek pevně zajištěn v jednotce vysavače.

► **Obr.13:** 1. Vysoce účinný filtr

► **Obr.14:** 1. Zajišťovací výstupek

POZOR: Před použitím vysavače vždy zkontrolujte, zda je vysoce účinný filtr správně nasazen. Při nesprávném nasazení pronikne prach do pláště motoru a způsobí poruchu motoru. Pokud později dojde k popsanému problému, byl vysoce účinný filtr nasazen nesprávně. Pro vyřešení problému jej nasadte správně.

Připojte pouzdro. Zarovnejte značku na pouzdru se značkou na rukojeti a pak pouzdro otočením pevně otočte ve směru šipky, dokud nebude zajištěno na místě.

► **Obr.15:** 1. Značka 2. Držadlo 3. Pouzdro

POZNÁMKA: Prach vždy odstraňujte včas, neboť příliš mnoho prachu ve vysavači sníží sací výkon.

Příklady problémů

Zajišťovací jazýček vysoce účinného filtru není pevně nasazen v drážce pláště vysavače.

► **Obr.16:** 1. Zajišťovací výstupek 2. Drážka v plášti vysavače

Vyjmutí a vložení košíku / HEPA filtru

Volitelné příslušenství

Pro košík a pěnový filtr

Pro vyjmutí košíku prsty zatlačte spodní část sloupců košíků a uvolněte drážku z výstupku na vysavači. Poté pěnový filtr vyjměte.

► **Obr.17:** 1. Košík 2. Pěnový filtr

Pro vložení zarovnejte drážky na košíku s výstupkem na vysavači a zatlačte jej, dokud se nezacvakne. Vložte pěnový filtr do prostoru mezi sloupci a vraťte jej do původní polohy.

Pro HEPA filtr

Pro vložení HEPA filtru zarovnejte drážku HEPA filtru s výstupkem na vysavači. Poté nasadte předfiltr nebo vysoce účinný filtr na HEPA filtr a pro zajištění jím otočte. Při vyjímání použijte opačný postup vkládání.

► **Obr.18:** 1. HEPA filtr 2. Vstupní filtr

► **Obr.19:** 1. HEPA filtr 2. Vysoce účinný filtr

PRÁCE S NÁŘADÍM

⚠ UPOZORNĚNÍ: Při používání vysavače nedávejte svůj obličej do blízkosti ventilačních otvorů. Pokud cizí předměty zasáhnou oči, může dojít k poranění osob.

Montáž a demontáž nástavců k vysávání

⚠ UPOZORNĚNÍ: Po montáži nástavců zkontrolujte, zda jsou bezpečně zajištěny. Pokud budou nástavce nasazeny nesprávně, mohou se uvolnit a způsobit úraz.

⚠ UPOZORNĚNÍ: Buďte opatrní, abyste při demontáži nástavců neuhodili rukou o stěnu atp.

Používání nástavce s funkcí zámku

Pokud chcete namontovat nástavec, vložte jej do vstupu sání vysavače, dokud nezacvakne. Ujistěte se, že je nástavec pevně zajištěný.

► **Obr.20:** 1. Vstup sání 2. Nástavec s funkcí zámku 3. Háček 4. Uvolňovací tlačítko

POZOR: Při montáži nástavce s funkcí zámku nezapomeňte zarovnat uvolňovací tlačítko na vysavači s háčkem na nástavci. Pokud nejsou zarovnané, nástavec nebude nástavec zajištěný a může se z vysavače uvolnit.

Demontáž provedete vytažením nástavce za současného stisknutí uvolňovacího tlačítka.

► **Obr.21:** 1. Uvolňovací tlačítko 2. Nástavec s funkcí zámku

Používání nástavce bez funkce zámku

⚠ UPOZORNĚNÍ: Chcete-li připojit nástavec bez funkce zámku, nasadte ho a otočte ve směru šipky, abyste zajistili pevné spojení při používání. Příslušenství odpojte otočením a vysunutím rovněž ve směru šipky. Budete-li nástavcem otáčet opačným směrem, můžete povolit pouzdro.

► **Obr.22**

Vysávání

Hubice

Hubici nasadte při čištění stolů, nábytku atd. Hubice snadno klouže.

► **Obr.23:** 1. Hubice

Hubice a prodlužovací nástavec (rovná trubice)

Prodlužovací nástavec se vkládá mezi hubici a vysavač. Tato konfigurace je vhodná k vysávání podlahy vestoje.

► **Obr.24:** 1. Těleso vysavače 2. Prodlužovací nástavec (rovná trubice) 3. Hubice

Rámová hubice

Při vysávání rohů a obtížně přístupných míst v automobilu nebo na nábytku nasadte rámovou hubici.

► **Obr.25:** 1. Rámová hubice 2. Těleso vysavače

Rámovou hubici můžete uložit v držáku hubice.

► **Obr.26:** 1. Držák hubice 2. Rámová hubice

⚠ UPOZORNĚNÍ: Dávejte pozor, abyste si mezi rámovou hubicí a držákem hubice nepřiskřípli prsty. Přiskřípnutí prstů může způsobit zranění.

Rámová hubice a prodlužovací nástavec (rovná trubice)

Tuto konfiguraci použijte při vysávání obtížně přístupných míst, do kterých se nevejde samotný vysavač, nebo při vysávání vysoko položených míst.

► **Obr.27:** 1. Rámová hubice 2. Prodlužovací nástavec (rovná trubice) 3. Těleso vysavače

Vysávání bez hubice

Prach můžete vysávat i bez hubice.

► **Obr.28**

Pro vysávání prachu na podlaze ve vzpřímené pozici je vhodné použití prodlužovacího nástavce.

► **Obr.29:** 1. Prodlužovací nástavec (rovná trubice)

ÚDRŽBA

▲ UPOZORNĚNÍ: Před zahájením kontroly nebo údržby nářadí se vždy ujistěte, zda je vypnuté a je vyjmut akumulátor.

K zachování BEZPEČNOSTI a SPOLEHLIVOSTI výrobku musí být opravy a veškerá další údržba či seřizování prováděny autorizovanými nebo továrními servisními středisky společnosti Makita s využitím náhradních dílů Makita.

Činnosti po ukončení práce

▲ UPOZORNĚNÍ: Vysavač opřený o stěnu bez žádného dalšího zajištění může spadnout, což může mít za následek zranění nebo poškození vysavače.

► **Obr.30**

Čištění

▲ UPOZORNĚNÍ: Pokud jsou zanesené, filtry vyčistěte. Budete-li pokračovat v jejich používání, i když jsou zanesené, může se tvořit nadměrné teplo či dojit k požáru.

POZOR: Nikdy nepoužívejte benzín, benzen, ředidlo, alkohol či podobné prostředky. Mohlo by tak dojít ke změně barvy, deformacím či vzniku prasklin.

POZOR: Nečistěte prach přilepený k vysavači a filtrům stlačeným vzduchem. Zanesení prachu do krytu a způsobí poruchu.

POZOR: Po omytí filtrů je nechte před dalším použitím řádně osušit. Nedostatečně vysušené filtry mohou oslabit sací výkon a zkrátit životnost motoru.

POZOR: Po očištění filtrů a pěnového filtru je nezapomeňte před dalším použitím namontovat zpět. Použijete-li vysavač bez filtrů a pěnového filtru, dostane se do motoru prach a způsobí poruchu.

Tělo vysavače

Vnější část vysavače (tělo vysavače) pravidelně otírejte hadříkem navlhčeným v mýdlové vodě.

Rovněž vyčistěte sací otvor a montážní oblast filtru.

► **Obr.31**

Vysoce účinný filtr

Jestliže je filtr ucpaný prachem a výkon vysavače se sníží, vyperte filtr v mýdlové vodě. Před použitím jej nechte řádně oschnout.

► **Obr.32**

HEPA filtr

Volitelné příslušenství

POZOR: Dejte pozor, abyste HEPA filtr neodřeli nebo nepoškrábali tvrdými předměty, například smetáčkem a lopatkou.

Ucpaný HEPA filtr způsobuje slabý výkon sání. Filtr čas od času vyčistěte.

HEPA filtr příležitostně vyperte ve vodě, opláchněte a před použitím jej nechte ve stínu řádně vyschnout. Filtr nikdy neperte v pračce.

► **Obr.33**

Pěnový filtr

Když se pěnový filtr zanesou, očistěte jej následovně.

1. Sejměte filtry, které zakrývají košík.
2. Vytáhněte pěnový filtr z prostoru mezi sloupci.
3. Vyčistěte pěnový filtr mytím nebo vyklepáním. Jestliže ho umyjete, nechte ho před použitím řádně oschnout.
4. Vložte pěnový filtr do prostoru mezi sloupci a vraťte jej do původní polohy. Ujistěte se, že každý spodní okraj sloupce drží pěnový filtr a že mezi pěnovým filtrem a sacím otvorem není mezera.

► **Obr.34:** 1. Pěnový filtr 2. Spodní okraj sloupce

Držák akumulátorového vysavače k montáži na stěnu

Volitelné příslušenství

POZNÁMKA: Šroub k upevnění držáku není součástí dodávky. Připravte si šroub, který bude vhodný k zašroubování do materiálu.

Upevněte držák akumulátorového vysavače na pevnou dřevěnou stěnu, trám nebo sloup, ke kterým lze držák akumulátorového vysavače na stěnu bezpečně upevnit. Před zavěšením vysavače se vždy ujistěte, zda je držák akumulátorového vysavače k montáži na stěnu bezpečně upevněn.

► **Obr.35:** 1. Držák akumulátorového vysavače k montáži na stěnu

▲ UPOZORNĚNÍ: Vysavač nezavěšujte do držáku k upevnění na stěnu násilím, ani do držáku nezavěšujte jiné předměty než vysavač.

Odstraňování problémů

Než požádáte o opravu, zkontrolujte následující body.

Príznak	Cíl kontroly	Způsob nápravy
Slabý sací výkon	Není pouzdro plné prachu?	Odstraňte z pouzdra prach.
	Není ucpaný filtr?	Vyčistěte nebo vyperte filtr.
	Je akumulátor vybitý?	Nabijte blok akumulátoru.
Zařízení nepracuje	Je akumulátor vybitý?	Nabijte blok akumulátoru.
Hluk a chvění	Není ucpaný filtr?	Vyčistěte nebo vyperte filtr.
	Není ucpaná hubice, trubka nebo vstup sání zařízení?	Odstraňte předměty ucpávající hubici, trubku nebo vstup sání zařízení.
	Není ucpaný vstup hubice/trubky?	Vstup hubice/trubky nezakrývejte.

⚠ UPOZORNĚNÍ: Nepokoušejte se opravovat vysavač sami.

VOLITELNÉ PŘÍSLUŠENSTVÍ

⚠ UPOZORNĚNÍ: Pro nářadí Makita popsané v tomto návodu doporučujeme používat následující příslušenství a nástavce. Při použití jiného příslušenství či nástavců může hrozit nebezpečí zranění osob. Příslušenství lze používat pouze pro stanovené účely.

Potřebujete-li bližší informace ohledně tohoto příslušenství, obraťte se na místní servisní středisko společnosti Makita.

- Prodlužovací nástavec (rovná trubice)
- Hubice
- Hubice na koberec
- Kartáčová hubice
- Rámová hubice
- Hubice s kulatým kartáčem
- Pružná hadice
- Filtr (netkaná tkanina)
- Vstupní filtr
- Vysoce účinný filtr
- HEPA filtr
- Hubice na sedačky
- Hubice na spáry
- Držák akumulátorového vysavače k montáži na stěnu
- Cyklonová jednotka
- Cyklonový nástavec
- Brašna na nářadí
- Originální akumulátor a nabíječka Makita

POZNÁMKA: Některé položky seznamu mohou být k nářadí přibaleny jako standardní příslušenství. Přibalené příslušenství se může v různých zemích lišit.

Cyklonový nástavec

Volitelné příslušenství

- **Obr.36:**
1. Uvolňovací tlačítko
 2. Háček
 3. Prodlužovací nástavec (rovná trubice)
 4. Cyklonový nástavec
 5. Vstup sání

Informace o cyklonovém nástavci

Používání vysavače s cyklonovým nástavcem snižuje množství prachu, který vstupuje do pouzdra, čímž je zabráněno postupnému snižování sacího výkonu. Rovněž je snazší čištění vysavače po jeho použití.

⚠ UPOZORNĚNÍ: Před prováděním jakýchkoli prací na nářadí se vždy přesvědčte, zda je vypnuté a je vyjmutý akumulátor. Je-li akumulátor ponechán uvnitř, může se vysavač neočekávaně spustit a způsobit zranění.

⚠ UPOZORNĚNÍ: Vyčistěte mřížkový filtr cyklonového nástavce a filtry vysavače, kdykoliv se zanesou nečistotami. Budete-li pokračovat v jejich používání, i když jsou zanesené, může se tvořit nadměrné teplo či kouř.

POZOR: Když je namontován cyklonový nástavec, nepoužívejte vysavač ve vodorovné poloze nebo v poloze směrem nahoru. Může to způsobit zanesení mřížkového filtru.

POZOR: Vysavač vždy používejte jen s nasazenými filtry, i když používáte navíc cyklonový nástavec. Používání vysavače bez filtrů může způsobit poruchu motoru.

POZNÁMKA: Před použitím se ujistěte, že jsou cyklonový nástavec, vysavač a prodlužovací nástavec (rovná trubice) správně zajištěny.

POZNÁMKA: Vyprázdněte přihrádku na prach cyklonového nástavce a pouzdro vysavače, kdykoliv je uvnitř nashromážděno větší množství prachu. Dalším používáním dojde ke snížení sacího výkonu.

POZNÁMKA: Cyklonový nástavec lze použít i bez funkce zámku.

POZNÁMKA: Postup montáže a demontáže cyklonového nástavce naleznete v části „Montáž a demontáž nástavců k vysávání“.

Vysypávání prachu

Když je nashromážděn prach až po čáru naplnění na přihrádce na prach, postupujte dle kroků níže a vysypejte prach.

1. Pevně podržte přihrádku na prach, stiskněte a podržte obě tlačítka a vyjměte ji.
► **Obr.37:** 1. Čára naplnění 2. Přihrádka na prach 3. Tlačítko (na dvou místech) 4. Mřížkový filtr
2. Vysypejte prach, který je uvnitř přihrádky na prach, a poté odstraňte také prach a nečistoty, které se usadily na mřížkovém filtru.
3. Vložte zpět přihrádku na prach, dokud obě tlačítka nezacvaknou.
► **Obr.38:** 1. Přihrádka na prach 2. Tlačítko (na dvou místech)

⚠ UPOZORNĚNÍ: Při opětovné montáži přihrádky na prach dávejte pozor, abyste si nepřiskřípli prsty.

POZNÁMKA: Před opětovným spuštěním se ujistěte, že jsou cyklonový nástavec, vysavač a prodlužovací nástavec (rovná trubice) správně zajištěny.

POZNÁMKA: Jestliže se sací výkon nezlepší ani po vysypání prachu a vyčištění mřížkového filtru, zkontrolujte, zda se uvnitř pouzdra vysavače neshromáždilo větší množství prachu nebo nedošlo k zanesení.

POZNÁMKA: Při vyklepávání prachu z cyklonového nástavce může dojít k jeho vylétávání. Dávejte pozor, aby se vám prach nedostal do očí.

Čištění

⚠ UPOZORNĚNÍ: Po omytí cyklonového nástavce jej nechte před dalším použitím řádně osušit. Nedostatečně vysušené součásti mohou způsobit zásah elektrickým proudem nebo poškození zařízení.

Když se znečistí přihrádka na prach nebo zanechá mřížkový filtr, vyjměte je a opláchněte ve vodě. (Postup vyjmutí je popsán v části „Vysypávání prachu“.)

Před opětovnou montáží a použitím částí řádně osušte.

- **Obr.39:** 1. Přihrádka na prach 2. Mřížkový filtr

Jestliže je mřížkový filtr opravdu hodně špinavý, očistěte ho dle následujícího postupu.

1. Otočte mřížkový filtr ve směru šipky a při odjité- ných háčcích ho vyjměte.

- **Obr.40:** 1. Mřížkový filtr 2. Háček

2. Odstraňte prach na mřížkovém filtru a poté ho opláchněte ve vodě. Poté ho řádně osušte.

3. Vložte mřížkový filtr zpět na základnu, přičemž háčky musí být zarovnané s otvorem. Otáčejte mřížkovým filtrem ve směru šipky, dokud háčky nezacvaknou. Ujistěte se, že je mřížkový filtr pevně nasazen.

- **Obr.41:** 1. Mřížkový filtr 2. Háček 3. Otvor

ПОПЕРЕДЖЕННЯ

- Дітям віком від 8 років, а також особам з обмеженими фізичними, сенсорними або розумовими здібностями та особам із недостатнім досвідом і знаннями дозволяється використовувати цей прилад лише за умови, що за ними встановлено нагляд або їм було надано інструкції стосовно безпечного використання цього приладу й вони усвідомлюють потенційну небезпеку від його використання.
- Дітям не дозволяється грати із цим приладом. Дітям не дозволяється виконувати чищення або проводити технічне обслуговування приладу без нагляду дорослих.
- Тип акумулятора див. у розділі «ТЕХНІЧНІ ХАРАКТЕРИСТИКИ».
- Інструкції щодо встановлення та зняття акумулятора див. у розділі «Встановлення та зняття касети з акумулятором».
- Для утилізації касети з акумулятором витягніть її з інструмента та утилізуйте безпечним способом. Дотримуйтеся норм місцевого законодавства щодо утилізації акумуляторів.
- Якщо інструментом не користуватимуться протягом тривалого періоду часу, вийміть акумулятор з інструмента.
- Не закоротіть касету з акумулятором.
- Відомості про заходи безпеки під час обслуговування виробу користувачем див. у розділі «ТЕХНІЧНЕ ОБСЛУГОВУВАННЯ».

ТЕХНІЧНІ ХАРАКТЕРИСТИКИ

Модель:		DCL284F
Ємність		730 мл
Тривалість використання (з акумулятором BL1830B)	1 (безшумний режим)	Прибл. 38 хв
	2 (режим нормальної швидкості)	Прибл. 21 хв
	3 (режим високої швидкості)	Прибл. 15 хв
	4 (режим максимальної швидкості)	Прибл. 8 хв
Загальна довжина (з трубою, насадкою та акумулятором BL1830B)		1 066 мм
Номінальна напруга		18 В пост. струму
Маса нетто		1,3—1,7 кг

- Оскільки наша програма наукових досліджень і розробок триває безперервно, наведені тут технічні характеристики можуть бути змінені без попередження.
- У різних країнах технічні характеристики можуть бути різними.
- Вага не включає жодних додаткових приладів, окрім касети (касет) з акумулятором. Найменша або найбільша комбінація ваги пристрою та касети (касет) з акумулятором наведені в таблиці.

Застосовна касета з акумулятором і зарядний пристрій

Касета з акумулятором	BL1815N / BL1820B / BL1830B / BL1840B / BL1850B / BL1860B
Зарядний пристрій	DC18RC / DC18RD / DC18RE / DC18SD / DC18SE / DC18SF / DC18SH / DC18WC

- Деякі касети з акумулятором і зарядні пристрої, які вказано вище, можуть бути недоступними залежно від вашого регіону або місця перебування.

⚠ПОПЕРЕДЖЕННЯ: Використовуйте лише касети з акумулятором і зарядні пристрої, перелічені вище. Використання будь-яких інших касет з акумулятором і зарядних пристроїв може призвести до травмування й/або пожежі.

СИМВОЛИ

Далі наведено символи, які можуть застосовуватися для позначення обладнання. Перед користуванням переконайтеся, що ви розумієте їхнє значення.



Читайте посібник з експлуатації.



Типовий акумулятор для застосування в цьому виробі.



Ni-MH
Li-Ion

Тільки для країн ЄС
Через наявність в обладнанні небезпечних компонентів відходи електричного та електронного обладнання, акумулятори та батареї можуть негативно впливати на навколишнє середовище та здоров'я людини.

Не викидайте електричні та електронні прилади або батареї разом з побутовими відходами!

Відповідно до директиви ЄС стосовно відходів електричного та електронного обладнання, акумуляторів, батарей та відходів акумуляторів і батарей, а також відповідно до її адаптації до національного законодавства, відходи електричного обладнання, батарей та акумуляторів слід зберігати окремо й доставляти на пункт роздільного збору комунальних відходів, який працює з дотриманням правил охорони навколишнього середовища.

Це позначено символом у вигляді перекресленого сміттевого контейнера з колесами, нанесеним на обладнання.

ПРИЗНАЧЕННЯ

Інструмент призначено для збирання сухого пилу.

ПОПЕРЕДЖЕННЯ ПРО ДОТРИМАННЯ ТЕХНІКИ БЕЗПЕКИ

Попередження про необхідну обережність під час роботи з бездротовим пилесосом

⚠ ПОПЕРЕДЖЕННЯ: ВАЖЛИВО!
ПРОЧИТАЙТЕ УВАЖНО всі попередження про необхідну обережність під час роботи та всі інструкції **ПЕРЕД ВИКОРИСТАННЯМ**. Недотримання попереджень та інструкцій може призвести до ураження електричним струмом, до виникнення пожежі та/або до отримання серйозних травм.

1. **Не залишайте інструмент під дощем. Зберігайте у приміщенні.**
2. **Не допускайте, щоб з цим приладом гралися діти. Потрібно бути пильним, якщо інструмент використовується дітьми або поблизу від них.**

3. **Використовуйте лише у відповідності з цією інструкцією. Використовуйте лише допоміжне обладнання, яке рекомендоване виробником.**
4. **Не використовуйте, якщо акумулятор пошкоджений. Якщо прилад не працює належним чином, його впустили, пошкодили, залишили під дощем або зронили у воду, його слід відправити до сервісного центру.**
5. **Не торкайтеся приладу мокрими руками.**
6. **Не встромляйте жодних предметів у отвори. Не використовуйте прилад із заблокованими отворами; не допускайте їх блокування пилом, пухом, волоссям або будь-чим, що може послабити потік повітря.**
7. **Слідкуйте, щоб волосся, просторий одяг, а також пальці та інші частини тіла не потрапили до отворів та рухомих частин приладу.**
8. **Перед зніманням акумулятора вимикайте всі елементи керування.**
9. **Будьте особливо обережні під час прибирання на сходах.**
10. **Уникайте потрапляння на прилад займих або палих рідин, наприклад бензину, та не використовуйте прилад в місцях їх застосування.**
11. **Для перезарядження акумулятора використовуйте тільки зарядний пристрій, що постачається виробником.**
12. **Уникайте контакту приладу з будь-якими речовинами та предметами, що горять або димлять, наприклад цигарками, сірниками або гарячим попелом.**
13. **Не використовуйте без мішка для пилу і (або) встановлених фільтрів.**
14. **Перезаряджайте акумулятор тільки в приміщенні.**
15. **Перезаряджайте акумулятор лише за допомогою зарядного пристрою, вказаного виробником. Зарядний пристрій, який підходить для одного типу акумуляторів, може призвести до пожежі при використанні з акумулятором іншого типу.**
16. **Використовуйте пристрої лише зі спеціально призначеним типом акумуляторів. Використання акумуляторів інших типів може призвести до травм і пожежі.**
17. **Коли акумулятор не використовується, тримайте його подалі від таких металевих предметів, що можуть закортити клеми акумулятора, наприклад скріпок, монет, ключів, цвяхів, гвинтів тощо.**
18. **За неналежних умов зберігання з акумулятора може витікати рідина, контакту з якою слід уникати. У разі випадкового потрапляння рідини на тіло уражену частину необхідно промити водою.**
19. **Не користуйтеся акумуляторним блоком або пристроєм, які було змінено чи пошкоджено. Експлуатація акумуляторів, які було змінено чи пошкоджено, може бути небезпечною й спричинити пожежу, вибух або травму.**

20. **Не піддавайте акумулятор або пристрій впливу вогню чи надмірної температури.** Вплив вогню або температури вище 130 °C може спричинити вибух.
21. **Дотримуйтеся всіх вказівок із заряджання й не заряджайте акумулятор або пристрій за температури за межами зазначеного в інструкції діапазону.** Неправильне заряджання або заряджання при температурі поза межами вказаного діапазону може призвести до пошкодження акумулятора й підвищити ризик займання.

ЗБЕРІГАЙТЕ ЦІ ВКАЗІВКИ.

ДОДАТКОВІ ПРАВИЛА БЕЗПЕКИ

Цей прилад призначений тільки для побутового використання.

1. **Перед використанням уважно прочитайте цю інструкцію, а також інструкцію до зарядного пристрою.**
2. **Уникайте таких речовин та предметів, як:**
 - гарячі речовини, що горять або димлять (сигарети, сірники, ароматичні палички, свічки, гарячий попіл), іскри та металевий пил, що утворюються під час різання або шліфування металу тощо;
 - легкозаймиста рідина (гас, бензин, розчинники, як-от бензин, розчинник тощо);
 - легкозаймистий матеріал (тонер, фарба, спрей тощо);
 - вибухові або пірофорні речовини (нітрогліцерин, алюміній, магній, титан, цинк, червоний фосфор, жовтий фосфор, целулоїд тощо та їх пил, газ або пара);
 - рідина, олива, вологий бруд або вологе сміття, включаючи блювоту та екскременти;
 - тверді предмети з гострими краями (дерев'яна стружка, метал, каміння, склянки, цвяхи, шпильки, бритви або столові прибори);
 - затверджуючий і провідний дрібний порошок (металевий або вугільний порошок);
 - піна, як засіб для чищення килимів тощо (може спричинити вибух або пожежу);
 - велика кількість порошку (борошно, вогнегасний порошок тощо);
 - речовини, що викликають симптоми інтоксикації;
 - агресивні хімічні речовини (кислота, луг тощо);
 - дрібний сполучний порошок, наприклад цемент;
 - дрібні частки, наприклад бетонний пил;
 - десиканти;
 - азбест;
 - пестициди.

- У протилежному випадку це може призвести до пожежі, травми та (або) пошкодження майна. Щоб зменшити вплив цих хімічних речовин, завжди надягайте схвалені засоби захисту органів дихання, наприклад протипилові маски, спеціально розроблені для фільтрації мікроскопічних часток. Направляйте вихідне повітря в бік від свого обличчя та тіла.
3. **Негайно зупиніть інструмент, якщо помітите відхилення в його роботі.**
4. **Якщо ви впустили або вдарили пилосос, перед подальшим використанням його слід ретельно оглянути на наявність тріщин або пошкоджень.**
5. **Заборонено підносити інструмент близько до кухонних плит або інших джерел тепла.**
6. **Заборонено блокувати забірний або вентиляційні отвори.**

ЗБЕРІГАЙТЕ ЦІ ВКАЗІВКИ.

Важливі інструкції з безпеки для касети з акумулятором

1. **Перед тим як користуватися касетою з акумулятором, слід прочитати всі інструкції та застережні знаки щодо (1) зарядного пристрою акумулятора, (2) акумулятора та (3) виробів, що працюють від акумулятора.**
2. **Не розбирайте касету з акумулятором і не змінюйте її конструкцію.** Це може призвести до пожежі, перегріву або вибуху.
3. **Якщо період роботи дуже покоротшав, слід негайно припинити користування.** Це може призвести до виникнення ризику перегріву, опіку та навіть вибуху.
4. **У разі потрапляння електrolіту в очі слід промити їх чистою водою та негайно звернутися до лікаря.** Це може призвести до втрати зору.
5. **Не закоротіть касету з акумулятором.**
 - (1) Не слід торкатися клем будь-яким струмопровідним матеріалом.
 - (2) Не слід зберігати касету з акумулятором у ємності з іншими металевими предметами, такими як цвяхи, монети тощо.
 - (3) Не залишайте касету з акумулятором під дощем, запобігайте контакту з водою.

Коротке замикання може призвести до появи значного струму, перегріву, можливих опіків та навіть виходу з ладу.
6. **Не слід зберігати й використовувати інструмент і касету з акумулятором у місцях, де температура може сягнути чи перевищити 50 °C (122 °F).**
7. **Не слід спалювати касету з акумулятором, навіть якщо вона була неодноразово пошкоджена або повністю спрацьована.** Касета з акумулятором може вибухнути у вогні.
8. **Заборонено забивати цвяхи в касету з акумулятором, різати, ламати, кидати, впускати касету з акумулятором або вдаряти її твердим предметом.** Це може призвести до пожежі, перегріву або вибуху.

9. Не слід використовувати пошкоджений акумулятор.
10. Літій-іонні акумулятори, що містяться в інструменті, мають відповідати вимогам законів про небезпечні товари.
Під час транспортування за допомогою комерційних перевезень, наприклад із залученням третьої сторони та експедиторів, необхідно дотримуватись особливих вимог, вказаних на пакуванні й у маркуванні.
Під час підготування позиції до відправлення необхідно проконсультуватись зі спеціалістом з небезпечних матеріалів. Крім того, слід виконувати більш докладні національні настанови, якщо такі є.
Заклейте відкриті контакти стрічкою або заховайте їх і запакуйте акумулятор таким чином, щоб він не міг рухатися в пакуванні.
11. Для утилізації касети з акумулятором витягніть її з інструмента та утилізуйте безпечним способом. Дотримуйтеся норм місцевого законодавства щодо утилізації акумуляторів.
12. Використовуйте акумулятори лише з виробами, указаними компанією Makita.
Установлення акумуляторів у невідповідні вироби може призвести до пожежі, надмірного нагрівання, вибуху чи витоку електроліту.
13. Якщо інструментом не користуватимуться протягом тривалого періоду часу, вийміть акумулятор з інструмента.
14. Під час і після використання касета з акумулятором може нагріватися, що може стати причиною опіків або низькотемпературних опіків. Будьте обережні під час поводження з гарячою касетою з акумулятором.
15. Не торкайтеся контактів інструмента відразу після використання, оскільки він може бути досить гарячим, щоб викликати опіки.
16. Не допускайте, щоб уламки, пил або земля прилипали до контактів, отворів і пазів на касеті з акумулятором. Це може призвести до перегріву, займання, вибуху та виходу з ладу інструмента або касети з акумулятором і спричинити опіки або травми.
17. Якщо інструмент не розраховано на використання поблизу високовольтних ліній електропередач, не використовуйте касету з акумулятором поблизу високовольтних ліній електропередач. Це може призвести до несправності, поломки інструмента або касети з акумулятором.
18. Тримайте акумулятор у недоступному для дітей місці.

ЗБЕРІГАЙТЕ ЦІ ВКАЗІВКИ.

⚠ОБЕРЕЖНО: Використовуйте тільки акумулятори Makita. Використання акумуляторів, інших ніж оригінальні акумулятори Makita, або акумуляторів, конструкцію яких було змінено, може призвести до вибуху акумулятора і спричинити пожежу, травму або пошкодження. У зв'язку з цим також буде анульовано гарантію Makita на інструмент Makita і на зарядний пристрій.

Поради з забезпечення максимального строку експлуатації акумулятора

1. Касету з акумулятором слід заряджати до того, як він розрядиться повністю. Завжди слід зупинити роботу інструмента та зарядити акумулятор, якщо ви помітили зменшення потужності інструмента.
2. Ніколи не слід заряджати повторно повністю заряджену касету з акумулятором. Перезарядження скорочує строк експлуатації акумулятора.
3. Заряджайте касету з акумулятором при кімнатній температурі 10°C - 40°C (50°F - 104°F). Перед тим як заряджати касету з акумулятором, слід зачекати, доки вона охолоне.
4. Коли касета з акумулятором не використовується, виймайте її з інструмента або зарядного пристрою.
5. Якщо касета з акумулятором не використовувалася тривалий час (понад шість місяців), її слід зарядити.

ОПИС РОБОТИ

⚠ОБЕРЕЖНО: Обов'язково переконайтеся, що прилад вимкнено, а касету з акумулятором знято, перед регулюванням або перевіркою функціонування інструмента.

⚠ОБЕРЕЖНО: Заряджаючи касету з акумулятором, слідкуйте, щоб між пілососом та акумулятором не потрапили пальці, як показано на малюнку. Защемлення пальців може призвести до травм.

► Рис.1

Встановлення та зняття касети з акумулятором

⚠ОБЕРЕЖНО: Завжди вимикайте інструмент перед встановленням або зняттям касети з акумулятором.

⚠ОБЕРЕЖНО: Під час встановлення або зняття касети з акумулятором слід міцно тримати інструмент та касету з акумулятором. Якщо ви утримуватимете інструмент та касету з акумулятором недостатньо міцно, вони можуть вислизнути з рук, що може призвести до пошкодження інструмента та касети з акумулятором або може спричинити травми.

Щоб зняти касету з акумулятором, слід витягнути її з інструмента, натиснувши на кнопку в передній частині касети.

► Рис.2: 1. Червоний індикатор 2. Кнопка 3. Касета з акумулятором

Щоб установити касету з акумулятором, слід сумістити виступ на касеті з акумулятором із пазом у корпусі й вставити касету на місце. Вставляйте її до кінця, щоб вона зафіксувалася з легким клацанням. Якщо ви бачите червоний індикатор, як показано на рисунку, її не зафіксовано повністю.

⚠ ОБЕРЕЖНО: Завжди вставляйте касету з акумулятором повністю, щоб червоного індикатора не було видно. Якщо цього не зробити, касета може випадково випасти з інструмента та завдати травми вам або людям, що знаходяться поряд.

⚠ ОБЕРЕЖНО: Не встановлюйте касету з акумулятором із зусиллям. Якщо касета не вставляється легко, то це означає, що ви її неправильно вставляєте.

Система захисту інструмента/ акумулятора

Інструмент оснащено системою захисту інструмента/ акумулятора. Ця система автоматично вимикає живлення двигуна з метою збільшення терміну служби інструмента й акумулятора. Інструмент автоматично зупиняється під час роботи, якщо інструмент або акумулятор опиняться в зазначених нижче умовах.

Перевантаження:

Інструмент / акумулятор споживає струм зависокої потужності під час роботи.

У такому разі вимкніть інструмент і припиніть роботу, під час виконання якої інструмент зазнав перевантаження. Щоб перезапустити інструмент, увімкніть його знову.

Перегрівання:

Інструмент / акумулятор перегрівся. У такому разі дайте інструменту / акумулятору охолонути, перш ніж знову вмикати інструмент.

Низька напруга акумулятора:

Залишкова ємність акумулятора занадто низька, тому інструмент не буде працювати. У такому разі вийміть і зарядіть акумулятор.

Захист від інших неполадок:

Система захисту також забезпечує захист від інших неполадок, які можуть призвести до пошкодження інструмента, і забезпечує автоматичне зупинення інструмента. У разі тимчасової зупинки або припинення роботи інструмента виконайте всі зазначені нижче дії для усунення причини зупинки.

1. Вимкніть і знову увімкніть інструмент, щоб перезапустити його.
2. Зарядіть акумулятор(-и) або замініть його(їх) зарядженим(-и).
3. Дайте інструменту й акумулятору(-ам) охолонути.

Якщо після відновлення вихідного стану системи захисту ситуація не зміниться, зверніться до місцевого сервісного центру Makita.

Відображення залишкового заряду акумулятора

Тільки для касет з акумулятором, які мають індикатори

► **Рис.3:** 1. Індикаторні лампи 2. Кнопка перевірки

Натисніть кнопку перевірки на касеті з акумулятором для відображення залишкового ресурсу акумулятора. Індикаторні лампи загоряться на кілька секунд.

Індикаторні лампи			Залишковий ресурс
Горить	Вимк.	Блимає	
■	■	■	від 75 до 100%
■	■	□	від 50 до 75%
■	□	□	від 25 до 50%
■	□	□	від 0 до 25%
▬	□	□	Зарядіть акумулятор.
■	□	□	Можливо, акумулятор вийшов з ладу.
□	□	■	

ПРИМІТКА: Залежно від умов використання та температури оточуючого середовища показання можуть незначним чином відрізнитися від дійсного ресурсу.

ПРИМІТКА: Перша (дальня ліва) індикаторна лампа блимає під час роботи захисної системи акумулятора.

Дія вимикача

► **Рис.4:** 1. Кнопка зміни потужності всмоктування 2. Кнопка ввімкнення / вимкнення

Для запуску пілососа просто натисніть кнопку ввімкнення / вимкнення. Для вимкнення знов натисніть кнопку ввімкнення / вимкнення.

Доступне чотирьохступеневе регулювання потужності всмоктування пілососа за допомогою кнопки зміни потужності всмоктування. За кожного наступного натискання цієї кнопки циклічно повторюється безшумний / нормальний / високий / максимальний режим.

Рівень	Індикація	Режим
1	☰	Безшумний режим
2	☰	Режим нормальної швидкості
3	☰	Режим високої швидкості
4	☰	Режим максимальної швидкості

ПРИМІТКА: Потужність всмоктування можна змінити перед ввімкненням пілососа.

ПРИМІТКА: Пілосос починає роботу з тією ж потужністю всмоктування, що й під час останньої операції.

Увімкнення підсвічування

⚠ ОБЕРЕЖНО: Не дивіться на світло або безпосередньо на джерело світла.

Щоб увімкнути індикатор, натисніть кнопку зміни потужності всмоктування. Індикатор гасне приблизно через 10 секунд.

Поки пиросос працює, індикатор горить. Індикатор гасне приблизно через 10 секунд після припинення роботи.

ПРИМІТКА: Коли залишковий заряд акумулятора стає низьким, індикатор починає блимати. Час, коли індикатор акумулятора починає блимати, залежить від температури на робочому місці та від стану касети з акумулятором.

- **Рис.5:** 1. Кнопка зміни потужності всмоктування 2. Кнопка увімкнення / вимкнення 3. Лампа

ЗБОРКА

⚠ ОБЕРЕЖНО: Обов'язково переконайтеся, що прилад вимкнено, а касету з акумулятором знято, перш ніж проводити будь-які роботи з інструментом.

Опис деталей

Додаткове приладдя

Фільтр підвищеної ефективності, каркас і губчатий фільтр

- **Рис.6:** 1. Контейнер 2. Фільтр підвищеної ефективності 3. Каркас 4. Губчатий фільтр

Фільтр попереднього очищення або Фільтр підвищеної ефективності й фільтр HEPA

- **Рис.7:** 1. Контейнер 2. Фільтр попереднього очищення 3. Фільтр підвищеної ефективності 4. Фільтр HEPA

УВАГА: Не кладіть під фільтр підвищеної ефективності додатковий фільтр (з нетканої тканини). Фільтри неможливо зняти з пирососа.

ПРИМІТКА: Не встановлюйте додатковий фільтр (з нетканої тканини) між фільтром HEPA та фільтром попереднього очищення. Це може призвести до зниження потужності всмоктування.

ПРИМІТКА: Установлюючи фільтр підвищеної ефективності на фільтр HEPA, завжди використовуйте спеціальний каркас.

- **Рис.8:** 1. Фільтр підвищеної ефективності 2. Каркас (призначений для фільтра підвищеної ефективності)

Видалення пилу

⚠ ОБЕРЕЖНО: Пиросос слід спорожнювати до повного заповнення, інакше силу всмоктування буде послаблено.

⚠ ОБЕРЕЖНО: Внутрішню частину пирососа слід обов'язково звільняти від пилу. Невиконання цієї вимоги може призвести до засмічення фільтра або пошкодження двигуна.

Для видалення пилу, налиплого на фільтри в контейнері, постукайте рукою по контейнеру 4–5 разів.

- **Рис.9:** 1. Контейнер

Поверніть отвір усмоктування вниз, поверніть контейнер у напрямку, показаному стрілкою на рисунку, і повільно від'єднайте контейнер, тягнучи його в напрямку від себе.

- **Рис.10:** 1. Контейнер 2. Отвір усмоктування

ПРИМІТКА: Під час відкриття контейнера пил може висипатися, тому під ним обов'язково встановлюйте мішок для сміття.

Видаліть пил із контейнера й фільтра підвищеної ефективності.

- **Рис.11:** 1. Контейнер 2. Фільтр підвищеної ефективності

Поверніть фільтр підвищеної ефективності в напрямку, показаному стрілкою, щоб відстібнути крипильний фланець від корпусу пирососа, після чого витягніть фільтр підвищеної ефективності.

- **Рис.12:** 1. Крипильний фланець

ПРИМІТКА: За використання фільтра попереднього очищення також дотримуйтеся наведеної вище процедури.

Вичистіть дрібний пил із злегка постукайте по фільтру підвищеної ефективності, щоб вибити пил.

Повторний монтаж

Приєднайте фільтр підвищеної ефективності. Одночасно переконайтеся, що фільтр підвищеної ефективності повернуто таким чином, щоб крипильний фланець було щільно зафіксовано в корпусі пирососа.

- **Рис.13:** 1. Фільтр підвищеної ефективності

- **Рис.14:** 1. Крипильний фланець

УВАГА: Перед використанням пирососа слід завжди перевіряти правильність встановлення фільтра підвищеної ефективності. У разі неправильного встановлення пил потраплятиме в корпус двигуна, що призведе до пошкодження двигуна.

Виникнення описаної далі проблеми означає, що фільтр підвищеної ефективності встановлено неправильно. Перевстановіть його належним чином, щоб усунути проблему.

Прикріпіть контейнер. Сумістіть позначку на контейнері з позначкою на ручці, потім із зусиллям поверніть контейнер у напрямку, показаному стрілкою, до його повної фіксації.

- **Рис.15:** 1. Позначка 2. Рукоятка 3. Контейнер

ПРИМІТКА: Пил слід видаляти заздалегідь, оскільки накопичування в пирососі великої кількості пилу призводить до послаблення сили всмоктування.

Приклади проблем

Кріпильний фланець фільтра підвищеної ефективності недостатньо щільно зафіксовано в пазу на корпусі пирососа.

► **Рис.16:** 1. Кріпильний фланець 2. Паз у корпусі пирососа

Установлення або зняття каркаса / фільтра HEPA

Додаткове приладдя

Дії для каркаса й губчатого фільтра

Для видалення каркаса підніміть нижню частину стійок каркаса пальцями й роз'єднайте паз і виступ на пирососі. Після цього зніміть губчатий фільтр.

► **Рис.17:** 1. Каркас 2. Губчатий фільтр

Для встановлення сумістіть пази на каркасі з виступом на пирососі й притисніть до клацання. Установіть губчатий фільтр в отвір між стійками в початкове положення.

Дії для фільтра HEPA

Під час установлення фільтра HEPA сумістіть паз фільтра HEPA з виступом на пирососі. Потім розмістіть фільтр попереднього очищення або фільтр підвищеної ефективності на фільтрі HEPA й поверніть для фіксації. Щоб виїняти, виконайте процедуру встановлення у зворотному порядку.

► **Рис.18:** 1. Фільтр HEPA 2. Фільтр попереднього очищення

► **Рис.19:** 1. Фільтр HEPA 2. Фільтр підвищеної ефективності

РОБОТА

⚠ОБЕРЕЖНО: Під час роботи з пирососом не тримайте обличчя занадто близько до вентиляційного отвору. Потрапляння в очі сторонніх предметів може призвести до травми.

Установлення та зняття насадок пирососа

⚠ОБЕРЕЖНО: Після встановлення насадок переконайтеся в надійності їх кріплення. У разі неправильного встановлення насадок вони можуть зіскочити й нанести травму.

⚠ОБЕРЕЖНО: Під час зняття насадок будьте обережні, щоб не вдаритися рукою об стіну тощо.

Під час використання насадки з фіксацією

Для встановлення насадки вставте її у всмоктувальний отвір пирососа до клацання. Переконайтеся в тому, що насадку надійно зафіксовано.

► **Рис.20:** 1. Отвір усмоктування 2. Насадка з фіксацією 3. Гачок 4. Кнопка розблокування

УВАГА: Під час установлення насадки з фіксацією сумістіть кнопку розблокування на пирососі з гачком на насадці. Якщо вони не суміщені, насадку не буде зафіксовано, через що вона може зіскочити з пирососа.

Для видалення потягніть насадку, натискаючи кнопку розблокування.

► **Рис.21:** 1. Кнопка розблокування 2. Насадка з фіксацією

Під час використання насадки без фіксації

⚠ОБЕРЕЖНО: Для під'єднання насадки без фіксації поверніть і вставте її в зазначеному стрілкою напрямку, щоб зафіксувати з'єднання. Щоб від'єднати приладдя, витягніть його, повертаючи також у напрямку, показаному стрілкою. Якщо насадку повернути у зворотному напрямку, контейнер може від'єднатися.

► **Рис.22**

Чищення (всмоктування)

Штуцер

Для чищення столів, парт, меблів тощо встановлюйте штуцер. Він легко надівається.

► **Рис.23:** 1. Штуцер

Штуцер + подовжувач (пряма труба)

Подовжувач вставляється між штуцером та пирососом. Така конструкція є зручною для чищення підлоги стоячи.

► **Рис.24:** 1. Корпус пирососа 2. Подовжувач (пряма труба) 3. Штуцер

Насадка з вузьким носиком

Для чищення кутів і щілин у салоні автомобіля або меблях установіть насадку з вузьким носиком.

► **Рис.25:** 1. Насадка з вузьким носиком 2. Корпус пирососа

Насадку з вузьким носиком можна зберігати в тримачі штуцера.

► **Рис.26:** 1. Тримач штуцера 2. Насадка з вузьким носиком

⚠ОБЕРЕЖНО: Будьте обережні, щоб не защемити пальці між насадкою з вузьким носиком і тримачем штуцера. Защемлення пальців може призвести до травм.

Насадка з вузьким носиком + подовжувач (пряма труба)

Цю конструкцію слід використовувати там, де пиросос не може пройти в обмеженому просторі, або у високих місцях, до яких важко дотягнутись.

► **Рис.27:** 1. Насадка з вузьким носиком 2. Подовжувач (пряма труба) 3. Корпус пирососа

Чищення без штуцера

Збирати пил можна й без штуцера.

► **Рис.28**

Для збирання пилу з підлоги в положенні стоячи до пирососа для зручності можна прикріпити подовжувач.

► **Рис.29:** 1. Подовжувач (пряма труба)

ТЕХНІЧНЕ ОБСЛУГОВУВАННЯ

⚠ОБЕРЕЖНО: Перед здійсненням перевірки або обслуговування завжди перевіряйте, щоб інструмент був вимкнений, а касета з акумулятором була знята.

Для забезпечення БЕЗПЕКИ й НАДІЙНОСТІ продукції її ремонт, а також роботи з обслуговування або регулювання мають виконуватись уповноваженими або заводськими сервісними центрами Makita з використанням запчастин виробництва компанії Makita.

Після використання

⚠ОБЕРЕЖНО: Якщо пиросос розмістити біля стіни без будь-якої іншої опори, він може впасти, пошкодитися чи спричинити травмування.

► **Рис.30**

Чистка

⚠ОБЕРЕЖНО: Якщо фільтри засмічені, почистьте їх. Подальше використання в засміченому стані може призвести до перегріву або займання.

УВАГА: Ніколи не використовуйте газолін, бензин, розріджувач, спирт та подібні речовини. Їх використання може призвести до зміни кольору, деформації або появи тріщин.

УВАГА: Не видаляйте пил з пирососа та фільтрів за допомогою повітродувки. При цьому пил потрапляє всередину корпусу і може спричинити несправності.

УВАГА: Після промивання фільтрів висушіть їх перед використанням. Вологий фільтр може стати причиною послаблення всмоктування та скорочення терміну служби двигуна.

УВАГА: Очистивши основний та губчатий фільтри, установіть їх на місце перед використанням. Під час експлуатації пирососа без основного й губчатого фільтрів пил потрапляє до корпусу двигуна й спричиняє несправності.

Корпус пирососа

Слід періодично протирати зовнішню поверхню (корпус) пирососа ганчіркою, зволоженою мильною водою. Не забудьте прочистити отвір усмоктування та ділянку встановлення фільтра.

► **Рис.31**

Фільтр підвищеної ефективності

Коли фільтр засмічується та потужність пирососа зменшується, фільтр слід вимити в мильній воді. Перед використанням його слід ретельно висушити.

► **Рис.32**

Фільтр HEPA

Додаткове приладдя

УВАГА: Не тріть і не дряпайте фільтр HEPA твердими предметами, наприклад щіткою або лопаткою.

Засмічення фільтра HEPA спричиняє зниження всмоктувальної дії. Фільтр слід періодично прочищувати.

Час від часу мийте фільтр HEPA у воді, полощіть і ретельно висушіть його в затінку перед використанням. Ніколи не періть фільтр у пральній машині.

► **Рис.33**

Губчатий фільтр

Нижче описано процедуру очищення губчатого фільтра.

1. Зніміть фільтри, що закривають каркас.
2. Витягніть губчатий фільтр із отвору між стійками.
3. Очистіть губчатий фільтр постукуванням або промиванням. У разі промивання ретельно висушіть фільтр перед використанням.
4. Установіть губчатий фільтр в отвір між стійками в початкове положення. Переконайтеся, що губчатий фільтр міцно притиснутий до нижнього краю стійок, а між фільтром та отвором усмоктування немає зазору.

► **Рис.34:** 1. Губчатий фільтр 2. Нижній край стійок

Настінне кріплення для бездротового пирососа

Додаткове приладдя

ПРИМІТКА: Гвинт для кріплення тримача до комплекту не входить. Виберіть гвинт відповідно до типу матеріалу.

Прикріпіть настінне кріплення для бездротового пирососа до стіни, балки або колони, зроблених із твердої деревини, де можна надійно закріпити бездротовий пиросос. Перед кріпленням пирососа завжди перевіряйте, щоб настінне кріплення для бездротового пирососа було надійно закріплено.

► **Рис.35:** 1. Настінне кріплення для бездротового пирососа

⚠ОБЕРЕЖНО: Вішайте пиросос на настінне кріплення обережно й не вішайте жодних інших пристроїв, окрім пирососа.

Усунення несправностей

Перш ніж здавати прилад до ремонту, слід перевірити наступні моменти.

Ознака	Ділянка, яку слід обстежити	Спосіб прикріплення
Слабка сила всмоктування	Чи заповнений контейнер пилом?	Витрусіть пил з контейнера.
	Чи засмічений фільтр?	Очистьте або промийте фільтр.
	Чи розряджена касета з акумулятором?	Зарядіть акумулятор.
Пристрій не працює	Чи розряджена касета з акумулятором?	Зарядіть акумулятор.
Шум і вібрація	Чи засмічений фільтр?	Очистьте або промийте фільтр.
	Штуцер, труба чи всмоктувальний отвір приладу засмічені?	Приберіть предмети, що призвели до засмічення, зі штуцера, труби чи всмоктувального отвору приладу.
	Впускний отвір штуцера чи труби заблоковані?	Не блокуйте впускний отвір штуцера чи труби.

⚠ОБЕРЕЖНО: Не намагайтеся відремонтувати пилосос самотужки.

ДОДАТКОВЕ ПРИЛАДДЯ

⚠ОБЕРЕЖНО: Це додаткове та допоміжне обладнання рекомендовано використовувати з інструментом Makita, зазначеним у цій інструкції з експлуатації. Використання будь-якого іншого додаткового та допоміжного обладнання може становити небезпеку травмування. Використовуйте додаткове та допоміжне обладнання лише за призначенням.

У разі необхідності отримати допомогу в більш детальному ознайомленні з оснащенням звертайтеся до місцевого сервісного центру Makita.

- Подовжувач (пряма труба)
- Штуцер
- Штуцер для килима
- Щітка для полиць
- Насадка з вузьким носиком
- Кругла щітка
- Гнучкий шланг
- Фільтр (з нетканої тканини)
- Первинний фільтр
- Фільтр підвищеної ефективності
- Фільтр HEPA
- Насадка для очищення сидіння
- Сопло для чищення щілин
- Настінне кріплення для бездротового пилососа
- Циклонний фільтр
- Циклонний фільтр
- Сумка для інструмента
- Оригінальний акумулятор та зарядний пристрій Makita

ПРИМІТКА: Деякі елементи списку можуть входити до комплекту інструмента як стандартне приладдя. Вони можуть відрізнятися залежно від країни.

Циклонний фільтр

Додаткове приладдя

- **Рис.36:** 1. Кнопка розблокування 2. Гачок
3. Подовжувач (пряма труба)
4. Циклонний фільтр 5. Отвір всмоктування

Про циклонний фільтр

Використання пилососа із циклонним фільтром зменшує кількість пилу, що потрапляє в контейнер, що запобігає зниженню сили всмоктування. Крім того, це значно спрощує очищення після використання.

⚠ОБЕРЕЖНО: Обов'язково переконайтеся в тому, що інструмент вимкнено, а касету з акумулятором знято, перш ніж проводити будь-які роботи з інструментом. Якщо касету з акумулятором залишити в пристрої, пилосос може несподівано запуститися й стати причиною травми.

⚠ОБЕРЕЖНО: Очищуйте сітчастий фільтр циклонного фільтра й фільтри пилососа, коли вони засмічуються. Подальше використання в засміченому стані може призвести до перегріву або утворення диму.

УВАГА: Не використовуйте пилосос з установленим циклонним фільтром у горизонтальному положенні або в положенні, коли його спрямовано вгору. Це може призвести до засмічення сітчастого фільтра.

УВАГА: Завжди використовуйте пилосос з установленим фільтром навіть за використання циклонного фільтра. Використання пилососа без установлених фільтрів може привести до несправності двигуна.

ПРИМІТКА: Перед використанням переконайтеся в тому, що циклонний фільтр, пилосос і подовжувач (пряму трубу) зафіксовано належним чином.

ПРИМІТКА: Спорожніть корпус для збору пилу циклонного фільтра й контейнер пилососа, коли вони заповнилися пилом. Подальше використання може призвести до зниження сили всмоктування.

ПРИМІТКА: Ви також можете використовувати циклонний фільтр без фіксації.

ПРИМІТКА: Порядок установлення або зняття циклонного фільтра див. в розділі «Установлення та зняття насадок пилососа».

Видалення пилу

Після заповнення пилом до рівня лінії заповнення в корпусі для збору пилу виконайте описану далі процедуру й утилізуйте пил.

1. Міцно втримуючи корпус для збору пилу, натисніть і утримуйте дві кнопки, після чого зніміть корпус для збору пилу.

► **Рис.37:** 1. Лінія заповнення 2. Корпус для збору пилу 3. Кнопка (два положення) 4. Сітчастий фільтр

2. Видаліть пил із корпусу для збору пилу й видавіть пил і дрібний пил із поверхні сітчастого фільтра.

3. Вставте корпус для збору пилу таким чином, щоб дві кнопки зафіксувалися з клацанням.

► **Рис.38:** 1. Корпус для збору пилу 2. Кнопка (два положення)

⚠ОБЕРЕЖНО: Під час збирання корпусу для збору пилу будьте обережні та не прищеміть пальці.

ПРИМІТКА: Перед повторним запуском переконайтеся в тому, що циклонний фільтр, пилосос і подовжувач (пряму трубу) зафіксовано належним чином.

ПРИМІТКА: Якщо сила всмоктування не відновиться навіть після видалення пилу й очищення сітчастого фільтра, переконайтеся в тому, що пил не накопичився в контейнері пилососа, або у відсутності засмічення.

ПРИМІТКА: Пил може піднятися в повітря під час видалення з циклонного фільтра. Будьте обережні, щоб пил не потрапив вам в очі.

Чищення

⚠ОБЕРЕЖНО: Після промивання циклонного фільтра ретельно висушіть його перед використанням. Недостатньо просушені компоненти можуть призвести до ураження електричним струмом або пошкодження приладу.

Коли забрудниться корпус для збору пилу чи засмітиться сітчастий фільтр, витягніть і промийте їх водою. (Процедуру видалення див. у розділі «Утилізація пилу».)

Ретельно просушіть деталі перед повторним установленням і використанням.

► **Рис.39:** 1. Корпус для збору пилу 2. Сітчастий фільтр

Якщо сітчастий фільтр сильно забруднений, очистьте його, виконавши вказані далі процедури.

1. Поверніть сітчастий фільтр у напрямку стрілки та вийміть його, коли гачки опиняться в незафіксованому положенні.

► **Рис.40:** 1. Сітчастий фільтр 2. Гачок

2. Видаліть пил із сітчастого фільтра й промийте його водою. Після цього ретельно просушіть його.

3. Вставте сітчастий фільтр у основу таким чином, щоб гачки розташувалися на одній лінії з отвором. Повертайте сітчастий фільтр у напрямку стрілки до фіксації гачків, що супроводжується клацанням. Переконайтеся в тому, що сітчастий фільтр надійно зафіксовано.

► **Рис.41:** 1. Сітчастий фільтр 2. Гачок 3. Отвір

AVERTIZARE

- Acest aparat poate fi utilizat de copiii cu vârsta de cel puțin 8 ani și de persoanele cu capacități fizice, senzoriale sau mentale reduse, sau lipsite de experiență și cunoștințe doar dacă sunt supravegheate sau au fost instruite cu privire la utilizarea aparatului în siguranță și dacă înțeleg pericolele implicate.
- Copiii nu au voie să folosească acest aparat ca jucărie. Curățarea și întreținerea nu vor fi efectuate de copii nesupravegheați.
- Consultați capitolul „SPECIFICAȚII” pentru referința tipului de acumulator.
- Consultați secțiunea „Instalarea sau scoaterea cartușului acumulatorului” pentru modul de scoatere sau de instalare a acumulatorului.
- Atunci când eliminați la deșeuri cartușul acumulatorului, scoateți-l din mașină și eliminați-l într-un loc sigur. Respectați normele dumneavoastră locale privind eliminarea la deșeuri a acumulatorului.
- Dacă mașina nu este utilizată o perioadă lungă de timp, acumulatorul trebuie scos din aceasta.
- Nu scurtcircuitați cartușul acumulatorului.
- Consultați capitolul „ÎNTREȚINERE” pentru detaliile necesare privind precauțiile în timpul lucrărilor de întreținere efectuate de utilizator.

SPECIFICAȚII

Model:	DCL284F		
Capacitate	730 ml		
Utilizare continuă (cu baterie BL1830B)	1 (Mod silențios)	Aprox. 38 min	
	2 (Mod viteză normală)	Aprox. 21 min	
	3 (Mod viteză ridicată)	Aprox. 15 min	
	4 (Mod viteză max.)	Aprox. 8 min	
Lungime totală (cu teavă, duză și acumulator BL1830B)	1.066 mm		
Tensiune nominală	18 V cc.		
Greutate netă	1,3 - 1,7 kg		

- Datorită programului nostru continuu de cercetare și dezvoltare, specificațiile pot fi modificate fără o notificare prealabilă.
- Specificațiile pot varia în funcție de țară.
- Greutatea nu include accesoriile, ci cartușul(ele) acumulatorului. Greutatea combinată cea mai mică și cea mai mare a aparatului și cartușului(elor) acumulatorului sunt prezentate în tabel.

Cartușul acumulatorului și încărcătorul aplicabile

Cartușul acumulatorului	BL1815N / BL1820B / BL1830B / BL1840B / BL1850B / BL1860B
Încărcător	DC18RC / DC18RD / DC18RE / DC18SD / DC18SE / DC18SF / DC18SH / DC18WC

- Este posibil ca unele cartușe ale acumulatorilor și încărcătoare menționate mai sus să nu fie disponibile în funcție de regiunea dvs. de reședință.

⚠️ AVERTIZARE: Utilizați numai cartușele de acumulator și încărcătoarele enumerate mai sus. Utilizarea oricăror altor cartușe de acumulator și încărcătoare poate duce la rănire și/sau incendiu.

Simboluri

Mai jos sunt prezentate simbolurile care pot fi utilizate pentru echipament. Asigurați-vă că înțelegeți sensul acestora înainte de utilizare.



Citiți manualul de utilizare.



Un acumulator reprezentativ aplicabil pentru acest produs.



Ni-MH
Li-Ion

Doar pentru țările din cadrul UE
Din cauza prezenței componentelor periculoase în echipament, deșeurile de echipamente electrice și electronice, acumulatorii și bateriile pot avea un efect negativ asupra mediului și sănătății umane.

Nu eliminați aparatele electrice și electronice sau bateriile împreună cu gunoiul menajer!

În conformitate cu Directiva europeană privind deșeurile de echipamente electrice și electronice, acumulatorii, bateriile și deșeurile de acumulatori și baterii, precum și cu adaptarea sa în legislația națională, deșeurile de echipamente electrice, de baterii și de acumulatori trebuie depozitate separat și eliminate la un centru de colectare separat pentru deșeurile municipale, care respectă reglementările privind protecția mediului.

Acest lucru este indicat prin simbolul care reprezintă o pubeză cu roți baratăă cu o cruce, aplicat pe echipament.

Destinația de utilizare

Acest aparat este destinat colectării prafului uscat.

AVERTIZĂRI DE SIGURANȚĂ

Avertismente privind siguranța pentru aspiratorul cu acumulator

⚠️ AVERTIZARE: IMPORTANT CITIȚI CU ATENȚIE toate avertizările de siguranță și toate instrucțiunile ÎNAINTE DE UTILIZARE. Nerespectarea acestor avertismente și instrucțiuni poate avea ca rezultat electrocutarea, incendiul și/ sau rănirea gravă.

1. Nu expuneți la ploaie. Depozitați în spații interioare.
2. Nu permiteți utilizarea acestuia ca jucărie. Acordați atenție utilizării acestuia de către copii sau în apropierea copiilor.
3. Utilizați doar în modul descris în acest manual. Utilizați doar accesoriile recomandate de producător.
4. Nu folosiți cu un acumulator uzat. În cazul în care aparatul nu funcționează corespunzător, a suferit șocuri, este deteriorat, a fost depozitat în exterior sau a fost scăpat în apă, returnați-l la un centru de service.

5. Nu manipulați aparatul cu mâinile umede.
6. Nu introduceți obiecte în orificii. A nu se utiliza cu orificiile blocate; feriți de praf, scame, păr și orice alte materiale care pot obstrucționa fluxul de aer.
7. Nu vă apropiați părul, hainele largi, degetele și celelalte părți ale corpului de deschideri și de piesele mobile.
8. Dezactivați toate comenzile înainte de a scoate acumulatorul.
9. Acordați atenție specială la curățarea pe trepte.
10. Nu utilizați la colectarea unor lichide inflamabile sau combustibile, cum ar fi benzina și nu utilizați în zone în care acestea ar putea fi prezente.
11. Utilizați doar încărcătorul furnizat de producător pentru reincărcare.
12. Nu colectați obiecte care ard sau fumează, cum ar fi țigări, chibrituri sau cenușă fierbinte.
13. Nu utilizați fără sac de praf și/sau filtre montate.
14. Nu încărcăți acumulatorul în exterior.
15. Efectuați reincărcarea numai cu încărcătorul specificat de producător. Un încărcător adecvat pentru un anumit tip de acumulator poate prezenta risc de incendiu dacă este utilizat cu alt tip de acumulator.
16. Folosiți aparatele numai cu grupurile de acumulatori special destinate acestora. Utilizarea altor grupuri de acumulatori poate prezenta risc de rănire și de incendiu.
17. Când nu folosiți acumulatorul, țineți-l la distanță de obiecte metalice precum agrafe de birou, monede, chei, cuie, șuruburi sau alte obiecte metalice mici, ce pot constitui o legătură între cele două borne.
18. În condiții extreme, lichidul poate fi eliminat din acumulator; evitați contactul cu acesta. Dacă intrați în contact accidental, clătiți bine cu apă zona afectată.
19. Nu utilizați un grup de acumulatori sau un aparat care este deteriorat ori modificat. Acumulatorii deteriorați sau modificați pot prezenta un comportament imprevizibil, ce poate cauza incendii, explozii sau pericol de rănire.
20. Nu expuneți un grup de acumulatori sau aparatul la foc sau la temperaturi excesive. Expunerea la foc sau la temperaturi mai mari de 130 °C poate cauza explozii.
21. Urmați toate instrucțiunile de încărcare și nu încărcăți grupul de acumulatori sau aparatul la temperaturi care nu se încadrează în intervalul specificat în instrucțiuni. Încărcarea incorectă sau la temperaturi care nu se încadrează în intervalul specificat poate cauza deteriorarea acumulatorului și creșterea riscului de incendiu.

PĂSTRAȚI ACESTE INSTRUCȚIUNI.

NORME SUPLIMENTARE DE SECURITATE

Acest aparat este destinat doar uzului casnic.

- Înainte de utilizare, citiți cu atenție acest manual de instrucțiuni și manualul de instrucțiuni al încărcătorului.
- Nu aspirați următoarele materiale:
 - Substanțele fierbinți care ard sau scot fum (țigarete, chibrituri, bețișoare parfumate, lumânări, cenușă fierbinte), scântele și particulele de praf de metal generate în urma tăierii sau a polizării metalului etc.
 - Lichide inflamabile (kerosen, benzină, solvenți precum fierfalină, diluant etc.)
 - Materiale inflamabile (colorant, vopsea, spray etc.)
 - Substanțe explozive sau piroforice (nitroglicerină, aluminiu, magneziu, titan, zinc, fosfor roșu, fosfor galben, celuloză etc. și particulele, gazele sau aburii lor)
 - Murdărie lichidă, uleioasă, umedă sau gunoi umed, inclusiv vomă și excremente
 - Obiecte dure cu margini ascuțite (așchii de lemn, metale, sticlă, cuie, ace, lame sau tacâmuri)
 - Pulbere fină de solidificare și conductoare (pulbere de metal sau pudră carbonică)
 - Spumă sub formă agenților de curățare a covoarelor etc. (care ar putea cauza explozii sau incendii)
 - Cantitate mare de pulbere (făină, pulbere pentru stingerea incendiilor etc.)
 - Substanțe care provoacă simptome toxice
 - Substanțe chimice agresive (acid, alcalii etc.)
 - Pulbere fină de legare, precum ciment
 - Particule fine, precum praful de beton
 - Desicant
 - Azbest
 - Pesticide

O astfel de acțiune poate cauza incendii, accidente și/sau daune.
Pentru a reduce expunerea la aceste substanțe chimice purtați întotdeauna un echipament de protecție respiratorie omologat, cum ar măști de protecție împotriva prafului, care sunt special concepute pentru a filtra particulele microscopice. Îndepărtați aerul de evacuare de față și corpul dumneavoastră.
- Întrepuși lucrul imediat dacă observați orice anomalie.
- Dacă scăpați pe jos sau loviți aspiratorul, înainte de utilizare verificați-l cu atenție în privința fisurării sau deteriorării.
- Nu țineți în apropierea sobelor sau a altor surse de căldură.
- Nu obturați orificiile de admisie sau de ventilație.

PĂSTRAȚI ACESTE INSTRUCȚIUNI.

Instrucțiuni importante privind siguranța pentru cartușul acumulatorului

- Înainte de a folosi cartușul acumulatorului, citiți toate instrucțiunile și atenționările de pe (1) încărcătorul acumulatorului, (2) acumulator și (3) produsul care folosește acumulatorul.
- Nu dezasamblați și nu interveniți asupra cartușului acumulatorului. Acest lucru poate cauza incendii, căldură excesivă sau explozii.
- Dacă timpul de funcționare s-a redus excesiv, întrerupeți imediat funcționarea. Aceasta poate prezenta risc de supraîncălzire, posibile arsuri și chiar explozie.
- Dacă electrolitul pătrunde în ochi, clătiți bine ochii cu apă curată și consultați imediat un medic. Există risc de orbire.
- Nu scurtcircuitați cartușul acumulatorului:
 - Nu atingeți bornele cu niciun material conductor.
 - Evitați depozitarea cartușului acumulatorului la un loc cu alte obiecte metalice cum ar fi cuie, monede etc.
 - Nu expuneți cartușul acumulatorului la apă sau ploaie.

Un scurtcircuit al acumulatorului poate provoca un flux puternic de curent electric, supraîncălzire, posibile arsuri și chiar defectarea mașinii.
- Nu depozitați și nu utilizați mașina și cartușul acumulatorului în locuri în care temperatura poate atinge sau depăși 50 °C (122 °F).
- Nu incinerati cartușul acumulatorului chiar dacă acesta este grav deteriorat sau complet uzat. Cartușul acumulatorului poate exploda în foc.
- Nu introduceți cuie în cartușul acumulatorului, nu îl tăiați, striviți, aruncați sau scăpați și nu îl loviți cu un obiect dur. Astfel de acțiuni pot provoca incendii, căldură excesivă sau explozii.
- Nu utilizați un acumulator deteriorat.
- Acumulatorii Li-Ion încorporați se supun cerințelor Legislației privind substanțele periculoase.
Pentru transporturi comerciale, efectuate de exemplu de către părți terțe, expeditori, trebuie respectate cerințele speciale de ambalare și etichetare.
Pentru pregătirea articolului care urmează să fie expediat, este necesară consultarea unui expert în materiale periculoase. Vă rugăm să respectați, de asemenea, reglementările naționale, care pot fi mai detaliate.
Izolați sau acoperiți contactele deschise și împachetați acumulatorul în așa fel încât să nu se poată mișca în ambalaj.
- Atunci când eliminați la deșeurile cartușul acumulatorului, scoateți-l din mașină și eliminați-l într-un loc sigur. Respectați normele naționale privind eliminarea la deșeurile a acumulatorului.

12. **Utilizați acumulatorii numai cu produsele specificate de Makita.** Instalarea acumulatorilor în produse neconforme poate cauza incendii, căldură excesivă, explozii sau scurgeri de electrolit.
13. **Dacă mașina nu este utilizată o perioadă lungă de timp, acumulatorul trebuie scos din acesta.**
14. **În timpul utilizării și după aceea, cartușul acumulatorului se poate încălzi, ceea ce poate cauza arsuri sau arsuri la temperaturi scăzute. Fiți atenți la manipularea cartușelor de acumulator atunci când sunt fierbinți.**
15. **Nu atingeți borna mașinii imediat după utilizare, întrucât se poate încălzi foarte tare și poate provoca arsuri.**
16. **Nu lăsați să pătrundă așchii, praf sau pământ în borne, în orificii și în canelurile cartușului acumulatorului.** Acest lucru poate provoca încălzirea, aprinderea, explozia și defectarea mașinii sau a cartușului acumulatorului, cauzând arsuri sau vătămări corporale.
17. **Nu utilizați cartușul acumulatorului în apropierea liniilor electrice de înaltă tensiune, cu excepția cazului în care mașina suportă utilizarea în apropierea liniilor electrice de înaltă tensiune.** Acest lucru poate duce la funcționarea necorespunzătoare sau la defectarea mașinii sau a cartușului acumulatorului.
18. **Țineți acumulatorul la distanță de copii.**

PĂSTRAȚI ACESTE INSTRUCȚIUNI.

⚠ATENȚIE: Folosiți numai acumulatori Makita originali. Acumulatorii Makita care nu sunt originali și acumulatorii care au suferit modificări se pot aprinde, provocând incendii, leziuni corporale și daune. De asemenea, anulează garanția oferită de Makita pentru nealtau și încărcătorul Makita.

Sfaturi pentru obținerea unei durate maxime de exploatare a acumulatorului

1. **Încărcați cartușul acumulatorului înainte de a se descărca complet.** Întrerupeți întotdeauna funcționarea mașinii și încărcați cartușul acumulatorului când observați o scădere a puterii mașinii.
2. **Nu reîncărcați niciodată un acumulator complet încărcat.** Suprîncărcarea va scurta durata de exploatare a acumulatorului.
3. **Încărcați cartușul acumulatorului la temperatura camerei, între 10 °C - 40 °C (50 °F - 104 °F).** Lăsați un acumulator fierbinte să se răcească înainte de a-l încărca.
4. **Atunci când nu utilizați cartușul acumulatorului, scoateți-l din mașină sau din încărcător.**
5. **Încărcați cartușul acumulatorului în cazul în care nu a fost utilizat pe o perioadă mai lungă (mai mult de șase luni).**

DESCRIEREA FUNCȚIILOR

⚠ATENȚIE: Asigurați-vă întotdeauna că mașina este oprită și cartușul acumulatorului este scos înainte de a ajusta sau verifica funcționarea mașinii.

⚠ATENȚIE: Aveți grijă ca la încărcarea bateriei să nu vă prindeți degetul(ele) între aspirator și baterie așa cum se arată în imagine. Prinderea degetului(elor) poate provoca vătămări.

► Fig.1

Instalarea sau scoaterea cartușului acumulatorului

⚠ATENȚIE: Opriți întotdeauna mașina înainte de montarea sau demontarea cartușului de acumulator.

⚠ATENȚIE: Țineți ferm mașina și cartușul acumulatorului la montarea sau demontarea cartușului. În cazul în care nu țineți ferm mașina și cartușul de acumulator, acestea vă pot aluneca din mâini, rezultând defectarea mașinii și cartușului de acumulator, precum și în accidentări personale.

Pentru a scoate cartușul acumulatorului, glisați-l din mașină în timp ce glisați butonul de pe partea frontală a cartușului.

► Fig.2: 1. Indicator roșu 2. Buton 3. Cartușul acumulatorului

Pentru a monta cartușul acumulatorului, aliniați limba de pe cartușul acumulatorului cu canelura din carcasă și introduceți-l în locaș. Introduceți-l complet, până când se înclichează în locaș. Dacă vedeți indicatorul roșu, astfel cum se arată în imagine, acesta nu este blocat complet.

⚠ATENȚIE: Instalați întotdeauna cartușul acumulatorului complet, până când indicatorul roșu nu mai este vizibil. În caz contrar, acesta poate cădea accidental din mașină provocând rănirea dumneavoastră sau a persoanelor din jur.

⚠ATENȚIE: Nu forțați cartușul acumulatorului la montare. Dacă acesta nu glisează ușor, înseamnă că a fost introdus incorect.

Sistem de protecție mașină/acumulator

Mașina este prevăzută cu un sistem de protecție mașină/acumulator. Acest sistem întrerupe automat alimentarea motorului pentru a extinde durata de funcționare a mașinii și acumulatorului. Mașina se va opri automat în timpul funcționării dacă mașina sau acumulatorul se află într-una din situațiile următoare.

Suprasarcină:

Mașina/acumulatorul este utilizat(ă) într-o manieră care determină atragerea unui curent de o intensitate anormal de ridicată.

În această situație, opriți mașina și aplicația care a dus la suprasolicitarea mașinii. Apoi reporniți mașina.

Supraîncălzire:

Mașina/acumulatorul este supraîncălzit(ă). În această situație, lăsați mașina/acumulatorul să se răcească înainte de a reporni mașina.

Tensiune scăzută acumulator:

Capacitatea rămasă a acumulatorului este prea mică, iar mașina nu va funcționa. În această situație, scoateți și reîncărcați acumulatorul.

Măsurile de protecție împotriva altor cauze:

Sistemul de protecție este, de asemenea, conceput pentru alte cauze care ar putea deteriora mașina și permite mașinii să se oprească automat. Parcurgeți toți pașii următori pentru a elimina cauzele, atunci când mașina a fost oprită temporar sau a fost scoasă din funcțiune.

1. Opriți mașina, apoi porniți-o din nou pentru a reporni.
2. Încărcați acumulatorul (acumulatorii) sau înlocuiți-l (înlocuiți-i) cu un acumulator (acumulatori) încărcat (încărcați).
3. Lăsați mașina și acumulatorul (acumulatorii) să se răcească.

Dacă nu se poate observa nicio îmbunătățire prin resetarea sistemului de protecție, contactați centrul local de service Makita.

Indicarea capacității rămase a acumulatorului

Numai pentru cartușe de acumulator cu indicator

► Fig.3: 1. Lămpi indicatoare 2. Buton de verificare

Apăsați butonul de verificare de pe cartușul acumulatorului, astfel încât să se indice capacitățile rămase ale acumulatorului. Lămpile indicatorului vor lumina timp de câteva secunde.

Lămpi indicatoare			Capacitate rămasă
Iluminat	Oprit	Iluminare intermitentă	
			între 75% și 100%
			între 50% și 75%
			între 25% și 50%
			între 0% și 25%
			Încărcați acumulatorul.
			Este posibil ca acumulatorul să fie defect.

NOTĂ: În funcție de condițiile de utilizare și temperatura ambientală, indicația poate fi ușor diferită de capacitatea reală.

NOTĂ: Prima lampă indicatoare (extremitatea stângă) va lumina intermitent când sistemul de protecție a acumulatorului funcționează.

Acționarea întrerupătorului

- Fig.4: 1. Buton de schimbare a puterii de aspirație
2. Buton ON/OFF (Pornire/Oprire)

Pentru a porni aspiratorul, trebuie doar să apăsați pe butonul ON/OFF (Pornire/Oprire). Pentru a opri aspiratorul, apăsați din nou butonul ON/OFF (Pornire/Oprire). Puteți schimba puterea de aspirație a aspiratorului în patru etape, apăsând butonul de schimbare a puterii de aspirație. Fiecare apăsare a acestui buton repetă modulurile Silențios/Normal/Ridicat/Max. într-un ciclu.

Nivel	Indicație	Mod
1		Mod silențios
2		Mod viteză normală
3		Mod viteză ridicată
4		Mod viteză max.

NOTĂ: Puteți schimba puterea de aspirație înainte de a porni aspiratorul.

NOTĂ: Aspiratorul începe să funcționeze cu aceeași putere de aspirație care a fost setată pentru utilizarea anterioară.

Aprinderea lămpii

ATENȚIE: Nu priviți direct în raza sau în sursa de lumină.

Pentru a aprinde lampa, apăsați butonul de schimbare a puterii de aspirație. Lampa se stinge în aproximativ 10 secunde.

În timp ce aspiratorul este în funcțiune, lampa se aprinde.

Lampa se stinge în aproximativ 10 secunde după oprirea utilizării.

NOTĂ: Când capacitatea rămasă a acumulatorului se reduce, lampa începe să lumineze intermitent. Momentul în care lampa începe să lumineze intermitent depinde de temperatura din zona de lucru și de starea cartușului acumulatorului.

- Fig.5: 1. Buton de schimbare a puterii de aspirație
2. Buton ON/OFF (Pornire/Oprire) 3. Lampă

ASAMBLARE

ATENȚIE: Asigurați-vă întotdeauna că mașina este oprită și cartușul acumulatorului este scos înainte de a executa orice lucrări la mașină.

Descrierea componentelor

Accesoriu opțional

Filtru de performanță ridicată și suport și filtru spongios

- Fig.6: 1. Capsulă 2. Filtru de performanță ridicată
3. Suport 4. Filtru spongios

Prefiltru sau filtru de performanță ridicată și filtru HEPA

► Fig.7: 1. Capsulă 2. Prefiltru 3. Filtru de performanță ridicată 4. Filtru HEPA

NOTĂ: Nu puneți sub filtrul de performanță ridicată un filtru opțional (material textil neșesut). Filtrele nu ar putea fi scoase din aspirator.

NOTĂ: Nu montați un filtru opțional (material textil neșesut) între filtrul HEPA și prefiltru. Aceasta ar putea reduce puterea de aspirare.

NOTĂ: Utilizați întotdeauna filtrul de performanță ridicată care este încadrat cu un suport cu design original atunci când îl puneți peste filtrul HEPA.

► Fig.8: 1. Filtru de performanță ridicată 2. Suport (destinat pentru filtrul de performanță ridicată)

Eliminarea prafului

ATENȚIE: Goliți aspiratorul înainte ca acesta să se umple excesiv, pentru a evita reducerea puterii de aspirare.

ATENȚIE: Asigurați-vă că îndepărtați tot praful din interiorul aspiratorului. Neefectuarea acestei operațiuni poate produce înfundarea filtrului sau deteriorarea motorului.

Pentru a îndepărta depunerile de praf de pe filtrul din capsulă, loviți capsula cu mâna de 4 sau 5 ori.

► Fig.9: 1. Capsulă

Îndreptați orificiul de aspirație în jos, răsuciți capsula în direcția săgeții din imagine și deconectați capsula lent și drept.

► Fig.10: 1. Capsulă 2. Orificiu de aspirație

NOTĂ: La deschiderea capsulei poate să curgă praf, deci asigurați-vă că ați așezat un sac de gunoi sub capsulă.

Scoateți praful acumulat în interiorul capsulei și de pe filtrul de performanță ridicată.

► Fig.11: 1. Capsulă 2. Filtru de performanță ridicată

Rotiți filtrul de performanță ridicată în direcția săgeții pentru a desface buza de fixare de unitatea aspiratorului și apoi trageți filtrul în afară.

► Fig.12: 1. Buză de fixare

NOTĂ: De asemenea, atunci când utilizați prefiltrul, urmați procedura de mai sus.

Curățați praful fin și loviți ușor pentru a disloca praful din filtrul de performanță ridicată.

Reasamblare

Conectați filtrul de performanță ridicată. În acest moment, asigurați-vă că rotiți filtrul de performanță ridicată, astfel încât buza de fixare să fie blocată ferm în unitatea aspiratorului.

► Fig.13: 1. Filtru de performanță ridicată

► Fig.14: 1. Buză de fixare

NOTĂ: Înainte de a utiliza aspiratorul, asigurați-vă întotdeauna că verificați dacă filtrul de performanță ridicată este montat corect. Dacă nu este montat corect, praful va pătrunde în carcasa motorului și va duce la defectarea motorului. Dacă apare problema descrisă mai sus, filtrul de performanță ridicată nu este montat corect. Remontați-l corect pentru a remedia problema.

Montați capsula. Aliniați marcajul de pe capsulă cu marcajul de pe mâner și apoi răsuciți ferm capsula în direcția săgeții până când aceasta se fixează.

► Fig.15: 1. Marcaj 2. Mâner 3. Capsulă

NOTĂ: Întotdeauna scoateți praful din timp, deoarece puterea de aspirație va fi redusă dacă în aspirator există prea mult praf.

Exemple de probleme

Buza de fixare a filtrului de performanță ridicată nu este blocată bine în canalul carcasei aspiratorului.

► Fig.16: 1. Buză de fixare 2. Canelura carcasei aspiratorului

Montarea sau demontarea suportului/filtrului HEPA

Accesorii opționale

Pentru suport și filtrul spongios

Pentru a demonta suportul, ridicați partea inferioară a stâlpilor suportului cu degetele și eliberați canelura acestuia din proeminența de pe aspirator. Apoi, scoateți filtrul spongios.

► Fig.17: 1. Suport 2. Filtru spongios

Pentru montare, aliniați canelurile de pe suport cu proeminența de pe aspirator și apăsați până auziți un clic. Introduceți filtrul spongios între stâlpi și fixați-l în poziția inițială.

Pentru filtrul HEPA

Atunci când montați filtrul HEPA, fixați canelura de pe filtrul HEPA pe proeminența de pe aspirator. Apoi, așezați prefiltrul sau filtrul de performanță ridicată pe filtrul HEPA și rotiți-l pentru a-l fixa ferm. Pentru demontare, executați în ordine inversă procedura de montare.

► Fig.18: 1. Filtru HEPA 2. Prefiltru

► Fig.19: 1. Filtru HEPA 2. Filtru de performanță ridicată

OPERAREA

⚠️ ATENȚIE: Nu vă apropiați fața de fanta de ventilație în timp ce aspiratorul funcționează. Dacă materialul suflat ajunge în ochi, este posibil ca acest lucru să provoace vătămări corporale.

Montarea și demontarea accesoriilor de aspirare

⚠️ ATENȚIE: După montarea accesoriilor, verificați dacă acestea sunt fixate ferm. În cazul în care accesoriile sunt montate necorespunzător, acestea se pot desprinde, cauzând vătămări corporale.

⚠️ ATENȚIE: Fiți atent să nu vă loviți cu mâna de perete etc. atunci când demontați accesoriile.

Când utilizați accesoriul cu funcție de blocare

Pentru a monta accesoriul, introduceți-l în orificiul de aspirație al aspiratorului până auziți un clic. Asigurați-vă că accesoriul este blocat.

► Fig.20: 1. Orificiu de aspirație 2. Accesoriu cu funcție de blocare 3. Cârlig 4. Buton de eliberare

NOTĂ: Atunci când montați accesoriul cu funcție de blocare, asigurați-vă că aliniați butonul de eliberare de pe aspirator cu cârligul de pe accesoriu. Dacă acestea nu sunt aliniate, accesoriul nu se va bloca și se poate desprinde de pe aspirator.

Pentru a-l extrage, trageți accesoriul în timp ce apăsați butonul de eliberare.

► Fig.21: 1. Buton de eliberare 2. Accesoriu cu funcție de blocare

Când utilizați accesoriul fără funcție de blocare

⚠️ ATENȚIE: Pentru a conecta accesoriul fără funcție de blocare, introduceți-l prin răsucire în direcția săgeții pentru a asigura conexiunea în timpul utilizării. Pentru a deconecta accesoriul, extrageți-l tot prin răsucire în direcția săgeții. Dacă accesoriul este răsucit în direcția opusă, capsula se poate slăbi.

► Fig.22

Curățarea (Aspirarea)

Duză

Montați duza pentru a curăța mesele, birourile, mobila etc. Duza alunecă foarte ușor.

► Fig.23: 1. Duză

Duză + Tub de extensie (Țeavă dreaptă)

Tubul de extensie se montează între duză și aspiratorul propriu-zis. Această configurație este confortabilă pentru curățarea podelei în timp ce stați în picioare.

► Fig.24: 1. Corp aspirator 2. Tub de extensie (Țeavă dreaptă) 3. Duză

Duză cadru

Montați duza cadru pentru a curăța colțurile și spațiile înguste ale unei mașini sau ale mobilei.

► Fig.25: 1. Duză cadru 2. Corp aspirator

Puteți depozita duza cadru în suportul pentru duze.

► Fig.26: 1. Suport pentru duze 2. Duză cadru

⚠️ ATENȚIE: Aveți grijă să nu vă prindeți degetul (degetele) între duza cadru și suportul pentru duze. Prinderea degetului (degetelor) poate provoca vătămări.

Duză cadru + Tub de extensie (Țeavă dreaptă)

În locurile strâmte unde aspiratorul nu poate fi introdus, sau în locurile înalte la care este greu de ajuns, utilizați această configurație.

► Fig.27: 1. Duză cadru 2. Tub de extensie (Țeavă dreaptă) 3. Corp aspirator

Curățarea fără duză

Puteți aspira pulberea și praful fără duză.

► Fig.28

Pentru a aspira praful de pe podea în timp ce stați în picioare, este mai confortabil să montați tubul de extensie pe aspirator.

► Fig.29: 1. Tub de extensie (Țeavă dreaptă)

ÎNȚEȚINERE

⚠️ ATENȚIE: Asigurați-vă întotdeauna că mașina este oprită și cartușul acumulatorului scos înainte de a executa lucrările de inspecție și întreținere.

Pentru a menține SIGURANȚA și FIABILITATEA produsului, reparațiile și orice alte lucrări de întreținere sau reglare trebuie executate de centre de service Makita autorizate sau proprii, folosind întotdeauna piese de schimb Makita.

După utilizare

⚠️ ATENȚIE: Sprijinirea aspiratorului de perete, fără niciun alt suport, poate cauza căderea aspiratorului, ceea ce poate conduce la vătămări corporale sau la deteriorarea aspiratorului.

► Fig.30

Curățarea

⚠ATENȚIE: Curățați filtrele atunci când acestea se înfundă. Continuarea utilizării acestora atunci când sunt înfundate poate duce la încălzire sau la apariția unui incendiu.

NOTĂ: Nu utilizați niciodată gazolină, benzină, diluant, alcool sau alte substanțe asemănătoare. În caz contrar, pot rezulta decolorări, deformări sau fisuri.

NOTĂ: Nu suflați depunerile de praf de pe aspirator și de pe filtre cu un dispozitiv de îndepărtare a prafului prin suflare cu aer comprimat. Acest lucru permite pătrunderea prafului în carcasă și cauzează defecțiuni.

NOTĂ: După spălare, uscați filtrele complet înainte de utilizare. Filtrele uscate insuficient pot avea ca efect o putere mică de aspirare și pot scurta durata de viață a motorului.

NOTĂ: După curățare, asigurați-vă că reinstalați filtrele și filtrul spongios înainte de utilizare. Praful pătrunde în carcasa motorului și cauzează defecțiuni dacă utilizați aspiratorul fără filtre și fără filtrul spongios.

Corp aspirator

Din când în când ștergeți suprafața exterioară (corpul aspiratorului) a aspiratorului utilizând o lavetă umezită în apă cu săpun.

Curățați și deschiderea de aspirare și zona de montaj a filtrului.

► Fig.31

Filtru de performanță ridicată

Spălați filtrul în apă cu săpun atunci când acesta este înfundat și când se reduce puterea aspiratorului. Uscați-l complet înainte de utilizare.

► Fig.32

Filtru HEPA

Accesorii opționale

NOTĂ: Nu frecăți și nu zgâriați filtrul HEPA cu obiecte dure, precum o perie sau o racletă.

Un filtru HEPA înfundat reduce capacitatea de aspirație. Curățați filtrul în mod regulat.

Ocazional, spălați filtrul HEPA în apă, clătiți-l și uscați-l complet la umbră înainte de utilizare. Nu spălați niciodată filtrul în mașina de spălat.

► Fig.33

Filtru spongios

Atunci când este murdar, curățați filtrul spongios respectând procedura următoare.

1. Scoateți filtrele care acoperă suportul.
2. Trageți filtrul spongios dintre stâlpi.
3. Curățați filtrul spongios, lovindu-l ușor cu palma sau spălându-l. Dacă îl spălați, uscați-l complet înainte de utilizare.
4. Introduceți filtrul spongios între stâlpi și fixați-l în poziția inițială. Asigurați-vă că fiecare margine inferioară a stâlpului apasă filtrul spongios și că nu există niciun spațiu liber între filtrul spongios și deschiderea de aspirare.

► Fig.34: 1. Filtru spongios 2. Margine inferioară a stâlpului

Suport de perete pentru aspirator cu acumulator

Accesorii opționale

NOTĂ: Șurubul pentru fixarea suportului nu este inclus. Pregătiți un șurub care să corespundă materialului de înșurubat.

Fixați suportul de perete pentru aspiratorul cu acumulator de un perete, o grindă sau o coloană solidă din lemn, unde suportul de perete pentru aspiratorul cu acumulator poate fi bine fixat. Asigurați-vă întotdeauna că suportul de perete pentru aspiratorul cu acumulator este bine fixat înainte de a agăța aspiratorul.

► Fig.35: 1. Suport de perete pentru aspirator cu acumulator

⚠ATENȚIE: Nu agățați aspiratorul de suportul de perete într-un mod violent și nu agățați de el alte aparate electrocasnice.

Depanare

Înainte de a solicita reparații, verificați următoarele puncte.

Simptom	Zona care trebuie investigată	Metoda de fixare
Putere slabă de aspirație	Capsula este plină de praf?	Eliminați tot praful din capsulă.
	Este filtrul înfundat?	Curățați sau spălați filtrul.
	Cartușul acumulatorului este descărcat?	Încărcați cartușul acumulatorului.
Nu funcționează	Cartușul acumulatorului este descărcat?	Încărcați cartușul acumulatorului.
Zgomot și vibrație	Este filtrul înfundat?	Curățați sau spălați filtrul.
	Duza, țeava sau orificiul de aspirație a/al aparatului este înfundat(ă)?	Eliminați obiectele înfundate din duza, țeava sau orificiul de aspirație a/al aparatului.
	Orificiul duzei/țevii este blocat?	Nu blocați orificiul duzei/țevii.

ATENȚIE: Nu încercați să reparați aspiratorul pe cont propriu.

ACCESORII OPȚIONALE

ATENȚIE: Folosiți accesoriile sau piesele auxiliare recomandate pentru mașina dumneavoastră Makita în acest manual. Utilizarea oricăror alte accesorii sau piese auxiliare poate prezenta risc de vătămare corporală. Utilizați accesoriile și piesele auxiliare numai în scopul destinat.

Dacă aveți nevoie de asistență sau de mai multe detalii referitoare la aceste accesorii, adresați-vă centrului local de service Makita.

- Tub de extensie (Țeavă dreaptă)
- Duză
- Duză pentru covoare
- Perie pentru rafturi
- Duză cadru
- Perie rotundă
- Furtun flexibil
- Filtru (material textil nețesut)
- Prefiltru
- Filtru de performanță ridicată
- Filtru HEPA
- Duză scaun
- Duză pentru curățarea spațiilor greu accesibile
- Suport de perete pentru aspirator cu acumulator
- Unitatea ciclon
- Ciclon pentru colectarea prafului
- Geantă de scule
- Acumulator și încărcător original Makita

NOTĂ: Unele articole din listă pot fi incluse ca accesorii standard în ambalajul de scule. Acestea pot diferi în funcție de țară.

Ciclon pentru colectarea prafului

Accesorii opționale

- **Fig.36:** 1. Buton de eliberare 2. Cărlig 3. Tub de extensie (Țeavă dreaptă) 4. Ciclon pentru colectarea prafului 5. Orificiu de aspirație

Despre ciclonul pentru colectarea prafului

Utilizarea aspiratorului cu ciclonul pentru colectarea prafului montat reduce cantitatea de praf care ajunge în capsulă, ceea ce ajută la prevenirea diminuării forței de aspirare. În plus, și curățarea după utilizare este simplă.

ATENȚIE: Înainte de a executa orice lucrări la mașină, asigurați-vă întotdeauna că mașina este oprită și cartușul acumulatorului este scos. În cazul în care cartușul acumulatorului este lăsat în aspirator, acesta ar putea porni în mod neașteptat și poate provoca vătămări.

ATENȚIE: Curățați filtrul cu găuri al ciclonului pentru colectarea prafului și filtrele unității aspiratorului atunci când se înfundă. Continuarea utilizării acestora atunci când sunt înfundate poate duce la încălzire sau la apariția emisiilor de fum.

NOTĂ: Când ciclonul pentru colectarea prafului este atașat, nu utilizați aspiratorul în poziție orizontală sau orientat în sus. În caz contrar, filtrul cu găuri se poate înfunda.

NOTĂ: Utilizați întotdeauna aspiratorul cu filtrele montate, chiar și atunci când utilizați ciclonul pentru colectarea prafului. Utilizarea aspiratorului fără filtrele montate poate provoca funcționarea necorespunzătoare a motorului.

NOTĂ: Înainte de utilizare, asigurați-vă că aspiratorul, cicloul pentru colectarea prafului și tubul de extensie (țeava dreaptă) sunt blocate în mod corespunzător.

NOTĂ: Goliți cutia pentru praf a cicloului pentru colectarea prafului și capsula aspiratorului atunci când s-a acumulat praf. Continuarea utilizării va provoca diminuarea forței de aspirare.

NOTĂ: Cicloul pentru colectarea prafului poate fi utilizat și fără funcția de blocare.

NOTĂ: Pentru montarea sau demontarea cicloului pentru colectarea prafului, consultați secțiunea „Montarea și demontarea accesoriilor de aspirare”.

Eliminarea prafului

Când s-a acumulat praf până la linia de pe cutia de praf care indică nivelul maxim, urmați procedura de mai jos și eliminați praful.

1. Țineți bine cutia pentru praf, apăsați și țineți apăsată cele două butoane și apoi scoateți cutia pentru praf.

► **Fig.37:** 1. Linia care indică nivelul maxim 2. Cutie pentru praf 3. Buton (două locuri) 4. Filtru cu găuri

2. Eliminați praful din cutia pentru praf și îndepărtați praful și particulele care s-au prins pe suprafața filtrului cu găuri.

3. Introduceți cutia pentru praf până la capăt, până când cele două butoane se blochează cu un clic.

► **Fig.38:** 1. Cutie pentru praf 2. Buton (două locuri)

⚠ATENȚIE: La reasblarea cutiei pentru praf, fiți atent să nu vă prindeți degetele.

NOTĂ: Înainte de reluarea operației, asigurați-vă că aspiratorul, cicloul pentru colectarea prafului și tubul de extensie (țeava dreaptă) sunt blocate în mod corespunzător.

NOTĂ: Dacă forța de aspirare nu revine la normal nici după eliminarea prafului și curățarea filtrului cu găuri, verificați dacă s-a acumulat praf în capsula aspiratorului sau dacă aspiratorul este înfundat.

NOTĂ: Praful poate fi proiectat la golirea cicloului pentru colectarea prafului. Aveți grijă ca praful să nu vă intre în ochi.

Curățarea

⚠ATENȚIE: După spălarea cicloului pentru colectarea prafului, uscați-l complet înainte de utilizare. Componentele uscate insuficient pot duce la electrocutare sau la deteriorarea aparatului.

Când cutia de praf se murdărește sau filtrul cu găuri se înfundă, scoateți-le și spălați-le cu apă. (Pentru procedura de îndepărtare, consultați secțiunea „Eliminarea prafului”.)

Înainte de remontare și utilizare, uscați bine componentele.

► **Fig.39:** 1. Cutie pentru praf 2. Filtru cu găuri

Când filtrul cu găuri devine extrem de murdar, spălați-l urmând procedurile de mai jos.

1. Rotiți filtrul cu găuri în direcția săgeții și scoateți-l când cârligele sunt deblocate.

► **Fig.40:** 1. Filtru cu găuri 2. Cârlig

2. Îndepărtați praful de pe filtrul cu găuri și spălați-l cu apă. Apoi, uscați-l bine.

3. Introduceți filtrul cu găuri în suport atunci când cârligele sunt aliniate cu orificiul. Rotiți filtrul cu găuri în direcția săgeții până când cârligele sunt blocate cu un clic. Asigurați-vă că filtrul cu găuri este bine fixat în poziție.

► **Fig.41:** 1. Filtru cu găuri 2. Cârlig 3. Orificiu

WARNUNG

- Dieses Gerät kann von Kindern ab 8 Jahren und Personen mit verminderten körperlichen, sensorischen oder geistigen Fähigkeiten oder Mangel an Erfahrung und Kenntnissen benutzt werden, sofern sie eine Beaufsichtigung oder Anweisung bezüglich des sicheren Gebrauchs des Gerätes erhalten haben und die damit verbundenen Gefahren verstehen.
- Kinder dürfen nicht mit dem Gerät spielen. Reinigung und Benutzerwartung dürfen nicht von Kindern ohne Aufsichtigung durchgeführt werden.
- Angaben zur Typenbezeichnung des Akkus finden Sie im Kapitel „TECHNISCHE DATEN“.
- Angaben zum Demontage- oder Installationsverfahren des Akkus finden Sie im Abschnitt „Installieren oder Demontieren des Akkus“.
- Entfernen Sie den Akku zum Entsorgen vom Werkzeug, und entsorgen Sie ihn an einem sicheren Ort. Befolgen Sie die örtlichen Vorschriften bezüglich der Entsorgung von Akkus.
- Soll das Werkzeug längere Zeit nicht benutzt werden, muss der Akku vom Werkzeug entfernt werden.
- Der Akku darf nicht kurzgeschlossen werden.
- Entsprechende Details der Vorsichtsmaßnahmen während der Benutzerwartung finden Sie im Kapitel „WARTUNG“.

TECHNISCHE DATEN

Modell:		DCL284F
Kapazität		730 mL
Dauerbetrieb (mit Akku BL1830B)	1 (Leisemodus)	ca. 38 min
	2 (Normaldrehzahlmodus)	ca. 21 min
	3 (Hochdrehzahlmodus)	ca. 15 min
	4 (Maximaldrehzahlmodus)	ca. 8 min
Gesamtlänge (mit Rohr, Düse und Akku BL1830B)		1.066 mm
Nennspannung		18 V Gleichstrom
Nettogewicht		1,3 - 1,7 kg

- Wir behalten uns vor, Änderungen der technischen Daten im Zuge der Entwicklung und des technischen Fortschritts ohne vorherige Ankündigung vorzunehmen.
- Die technischen Daten können von Land zu Land unterschiedlich sein.
- Das Gewicht schließt keine Zubehörteile, aber Akkus ein. Das niedrigste und höchste Kombinationsgewicht des Gerätes und der Akkus sind in der Tabelle angegeben.

Zutreffende Akkus und Ladegeräte

Akku	BL1815N / BL1820B / BL1830B / BL1840B / BL1850B / BL1860B
Ladegerät	DC18RC / DC18RD / DC18RE / DC18SD / DC18SE / DC18SF / DC18SH / DC18WC

- Einige der oben aufgelisteten Akkus und Ladegeräte sind je nach Ihrem Wohngebiet eventuell nicht erhältlich.

⚠️ WARNUNG: Verwenden Sie nur die oben aufgeführten Akkus und Ladegeräte. Bei Verwendung irgendwelcher anderer Akkus und Ladegeräte besteht Verletzungs- und/oder Brandgefahr.

Symbole

Nachfolgend werden Symbole beschrieben, die für das Gerät verwendet werden können. Machen Sie sich unbedingt vor der Benutzung mit ihrer Bedeutung vertraut.



Betriebsanleitung lesen.



Ein repräsentativer Akku, der für dieses Produkt geeignet ist.



Nur für EU-Länder
Aufgrund des Vorhandenseins gefährlicher Komponenten in der Ausrüstung können Elektro- und Elektronik-Altgeräte, Akkumulatoren und Batterien sich negativ auf die Umwelt und die menschliche Gesundheit auswirken. Entsorgen Sie Elektro- und Elektronikgeräte oder Batterien nicht mit dem Hausmüll!
In Übereinstimmung mit der Europäischen Richtlinie über Elektro- und Elektronik-Altgeräte, Akkumulatoren und Batterien, verbrauchte Akkumulatoren und Batterien sowie ihrer Anpassung an nationales Recht sollten Elektro-Altgeräte, Batterien und Akkumulatoren gemäß den Umweltschutzbestimmungen getrennt gelagert und zu einer getrennten Sammelstelle für Siedlungsabfälle geliefert werden. Dies wird durch das am Gerät angebrachte Symbol der durchgestrichenen Abfalltonne auf Rädern angezeigt.

Vorgesehene Verwendung

Das Werkzeug ist für das Absaugen von Trockenstaub vorgesehen.

SICHERHEITSWARNUNGEN

Sicherheitswarnungen für Akku-Staubsauger

⚠️ WARNUNG: WICHTIG! Alle Sicherheitswarnungen und Anweisungen **VOR GEBRAUCH AUFMERKSAM LESEN**. Eine Missachtung der Warnungen und Anweisungen kann zu einem elektrischen Schlag, Brand und/oder schweren Verletzungen führen.

1. Das Gerät keinem Regen aussetzen. In Innenräumen aufbewahren.
2. Das Gerät darf nicht als Spielzeug benutzt werden. Wenn das Gerät von Kindern oder in deren Nähe benutzt wird, ist besondere Vorsicht geboten.
3. Nur gemäß der Beschreibung in dieser Anleitung benutzen. Nur vom Hersteller empfohlene Zusatzvorrichtungen verwenden.
4. Nicht mit beschädigtem Akku benutzen. Falls das Gerät nicht ordnungsgemäß funktioniert, fallen gelassen, beschädigt, im Freien liegen gelassen wurde oder ins Wasser gefallen ist, bringen Sie es zu einem Kundenzentrum.

5. Fassen Sie das Gerät nicht mit nassen Händen an.
6. Stecken Sie keine Gegenstände in die Öffnungen. Benutzen Sie das Gerät nicht mit einer blockierten Öffnung; halten Sie es frei von Staub, Fusseln, Haaren und Fremdkörpern, die den Luftstrom behindern können.
7. Halten Sie Haare, lose Kleidung, Finger und alle Körperteile von den Öffnungen und beweglichen Teilen fern.
8. Schalten Sie sämtliche Bedienelemente aus, bevor Sie den Akku abnehmen.
9. Lassen Sie bei der Reinigung von Treppen besondere Vorsicht walten.
10. Verwenden Sie das Gerät nicht zum Aufsaugen von brennbaren oder feuergefährlichen Flüssigkeiten, wie z. B. Benzin, und benutzen Sie es auch nicht in der Nähe solcher Flüssigkeiten.
11. Verwenden Sie nur das vom Hersteller gelieferte Ladegerät zum Aufladen.
12. Saugen Sie keine brennenden oder rauchenden Gegenstände auf, wie z. B. Zigaretten, Streichhölzer oder heiße Asche.
13. Benutzen Sie das Gerät nicht ohne angebrachten Staubsack und/oder Filter.
14. Laden Sie den Akku nicht im Freien.
15. Laden Sie den Akku nur mit dem vom Hersteller vorgeschriebenen Ladegerät. Ein Ladegerät, das für einen Akkutyp geeignet ist, kann bei Verwendung mit einem anderen Akku eine Brandgefahr darstellen.
16. Benutzen Sie Geräte nur mit den ausdrücklich vorgeschriebenen Akkus. Bei Verwendung irgendwelcher anderer Akkus besteht Verletzungs- und Brandgefahr.
17. Bewahren Sie den Akku bei Nichtgebrauch nicht zusammen mit Metallgegenständen, wie Büroklammern, Münzen, Schlüssel, Nägeln, Schrauben, und anderen kleinen Metallteilen auf, welche die Kontakte kurzschließen können.
18. Bei Missbrauch kann Flüssigkeit aus dem Akku austreten. Vermeiden Sie Kontakt mit dieser Flüssigkeit. Falls Sie versehentlich mit der Flüssigkeit in Berührung kommen, spülen Sie die betroffenen Stellen mit Wasser ab.
19. Verwenden Sie keine Akkus oder Geräte, die beschädigt oder modifiziert sind. Beschädigte oder modifizierte Akkus können unvorhersehbares Verhalten zeigen, das zu einem Brand, einer Explosion oder Verletzungsgefahr führen kann.
20. Setzen Sie einen Akku oder ein Gerät nicht Feuer oder übermäßigen Temperaturen aus. Bei Einwirkung von Feuer oder Temperaturen über 130 °C kann es zu einer Explosion kommen.
21. Befolgen Sie alle Ladeanweisungen, und laden Sie den Akku bzw. das Gerät nicht außerhalb des in den Anweisungen angegebenen Temperaturbereichs. Wird der Ladevorgang unsachgemäß oder bei Temperaturen außerhalb des angegebenen Bereichs durchgeführt, kann es zu einer Beschädigung des Akkus und erhöhter Brandgefahr kommen.

BEWAHREN SIE DIESE ANLEITUNG AUF.

ZUSÄTZLICHE SICHERHEITSREGELN

Dieses Gerät ist für Haushaltsgebrauch vorgesehen.

1. Lesen Sie diese Gebrauchsanleitung und die Gebrauchsanleitung des Ladegerätes vor der Benutzung aufmerksam durch.
2. Unterlassen Sie das Aufsaugen der folgenden Materialien:
 - Heiße Stoffe, die brennen oder rauchen (Zigaretten, Streichhölzer, Räucherstäbchen, Kerzen, heiße Asche), Funken und Metallstaub, der beim Schneiden oder Schleifen von Metall usw. entsteht.
 - Entflammare Flüssigkeiten (Kerosin, Benzin, Lösungsmittel wie Waschbenzin, Verdünner usw.)
 - Entflammables Material (Toner, Lack, Spray usw.)
 - Explosive oder pyrophore Stoffe (Nitroglycerin, Aluminium, Magnesium, Titan, Zink, roter Phosphor, gelber Phosphor, Zelluloid usw. sowie deren Staub, Gas oder Dampf)
 - Flüssigkeit, Öl, nasser Schmutz oder feuchte Abfälle, einschließlich Erbrochenem und Ausscheidungen
 - Harte Gegenstände mit scharfen Kanten (Holzspäne, Metalle, Steine, Gläser, Nägel, Nadeln, Rasierklingen oder Besteck)
 - Erstarrendes und leitfähiges feines Pulver (Metall- oder Kohlenstoffpulver)
 - Schäume wie Teppichreinigungsmittel usw. (sie können Explosionen oder Brände verursachen)
 - Große Mengen an Pulver (Mehl, Feuerlöschpulver usw.)
 - Stoffe, die toxische Symptome verursachen
 - Aggressive Chemikalien (Säuren, Laugen usw.)
 - Feines Bindepulver wie Zement
 - Feine Partikel wie Betonstaub
 - Trocknungsmittel
 - Asbest
 - PestizideSolche Handlungen können einen Brand, Verletzungen und/oder Sachschäden verursachen.
Um Ihre Exposition gegenüber diesen Chemikalien zu verringern, sollten Sie stets einen zugelassenen Atemschutz tragen, z. B. eine Staubmaske, die speziell dafür ausgelegt ist, mikroskopisch kleine Partikel herauszufiltern. Leiten Sie die Abluft von Ihrem Gesicht und Körper weg.
3. Brechen Sie den Betrieb sofort ab, wenn Sie irgendetwas Ungewöhnliches bemerken.

4. Falls Sie den Staubsauger fallen lassen oder anstoßen, überprüfen Sie ihn vor der Benutzung sorgfältig auf Risse oder Beschädigung.
5. Bringen Sie das Gerät nicht in die Nähe von Öfen oder anderen Wärmequellen.
6. Blockieren Sie nicht die Einlassöffnung oder die Belüftungsöffnungen.

BEWAHREN SIE DIESE ANLEITUNG AUF.

Wichtige Sicherheitsanweisungen für Akku

1. Lesen Sie vor der Benutzung des Akkus alle Anweisungen und Warnhinweise, die an (1) Ladegerät, (2) Akku und (3) Akkuwerkzeug angebracht sind.
2. Unterlassen Sie Zerlegen oder Manipulieren des Akkus. Es kann sonst zu einem Brand, übermäßiger Hitzeentwicklung oder einer Explosion kommen.
3. Falls die Betriebszeit beträchtlich kürzer geworden ist, stellen Sie den Betrieb sofort ein. Anderenfalls besteht die Gefahr von Überhitzung, möglichen Verbrennungen und sogar einer Explosion.
4. Falls Elektrolyt in Ihre Augen gelangt, waschen Sie sie mit sauberem Wasser aus, und begeben Sie sich unverzüglich in ärztliche Behandlung. Anderenfalls können Sie Ihre Sehkraft verlieren.
5. Der Akku darf nicht kurzgeschlossen werden:
 - (1) Die Kontakte dürfen nicht mit leitfähigem Material berührt werden.
 - (2) Lagern Sie den Akku nicht in einem Behälter zusammen mit anderen Metallgegenständen, wie z. B. Nägel, Münzen usw.
 - (3) Setzen Sie den Akku weder Wasser noch Regen aus.Ein Kurzschluss des Akkus verursacht starken Stromfluss, der Überhitzung, mögliche Verbrennungen und einen Defekt zur Folge haben kann.
6. Lagern und benutzen Sie das Werkzeug und den Akku nicht an Orten, an denen die Temperatur 50 °C erreichen oder überschreiten kann.
7. Versuchen Sie niemals, den Akku zu verbrennen, selbst wenn er stark beschädigt oder vollkommen verbraucht ist. Der Akku kann im Feuer explodieren.
8. Unterlassen Sie Nageln, Schneiden, Zerquetschen, Werfen, Fallenlassen des Akkus oder Schlagen des Akkus mit einem harten Gegenstand. Eine solche Handlung kann zu einem Brand, übermäßiger Hitzeentwicklung oder einer Explosion führen.
9. Benutzen Sie keine beschädigten Akkus.

10. **Die enthaltenen Lithium-Ionen-Akkus unterliegen den Anforderungen der Gefahrgut-Gesetzgebung.**
Für kommerzielle Transporte, z. B. durch Dritte oder Spediteure, müssen besondere Anforderungen zu Verpackung und Etikettierung beachtet werden.
Zur Vorbereitung des zu transportierenden Artikels ist eine Beratung durch einen Experten für Gefahrgut erforderlich. Bitte beachten Sie möglicherweise ausführlichere nationale Vorschriften. Überkleben oder verdecken Sie offene Kontakte, und verpacken Sie den Akku so, dass er sich in der Verpackung nicht umher bewegen kann.
11. **Entfernen Sie den Akku zum Entsorgen vom Werkzeug, und entsorgen Sie ihn an einem sicheren Ort. Befolgen Sie die örtlichen Vorschriften bezüglich der Entsorgung von Akkus.**
12. **Verwenden Sie die Akkus nur mit den von Makita angegebenen Produkten.** Das Einsetzen der Akkus in nicht konforme Produkte kann zu einem Brand, übermäßiger Hitzebildung, einer Explosion oder Auslaufen von Elektrolyt führen.
13. **Soll das Werkzeug längere Zeit nicht benutzt werden, muss der Akku vom Werkzeug entfernt werden.**
14. **Bei und nach dem Gebrauch kann der Akku heiß werden, was Verbrennungen oder Niedertemperaturverbrennungen verursachen kann. Beachten Sie die Handhabung von heißen Akkus.**
15. **Berühren Sie nicht den Anschlusskontakt des Werkzeugs unmittelbar nach dem Gebrauch, da er heiß genug werden kann, um Verbrennungen zu verursachen.**
16. **Achten Sie darauf, dass sich keine Späne, Staub oder Schmutz in den Anschlusskontakten, Löchern und Nuten des Akkus absetzen.** Es könnte sonst zu Erhitzung, Brandauslösung, Bersten und Funktionsstörungen des Werkzeugs oder des Akkus kommen, was zu Verbrennungen oder Personenschäden führen kann.
17. **Wenn das Werkzeug den Einsatz in der Nähe einer Hochspannungs-Stromleitung nicht unterstützt, benutzen Sie den Akku nicht in der Nähe einer Hochspannungs-Stromleitung.** Dies kann zu einer Funktionsstörung oder Betriebsstörung des Werkzeugs oder des Akkus führen.
18. **Halten Sie die Batterie von Kindern fern.**

DIESE ANWEISUNGEN AUFBEWAHREN.

⚠ VORSICHT: Verwenden Sie nur **Original-Makita-Akkus**. Die Verwendung von Nicht-Original-Makita-Akkus oder von Akkus, die abgeändert worden sind, kann zum Bersten des Akkus und daraus resultierenden Bränden, Personenschäden und Beschädigung führen. Außerdem wird dadurch die Makita-Garantie für das Makita-Werkzeug und -Ladegerät ungültig.

Hinweise zur Aufrechterhaltung der maximalen

Akku-Nutzungsdauer

1. **Laden Sie den Akku, bevor er vollkommen erschöpft ist. Schalten Sie das Werkzeug stets aus, und laden Sie den Akku, wenn Sie ein Nachlassen der Werkzeugleistung feststellen.**
2. **Unterlassen Sie erneutes Laden eines voll aufgeladenen Akkus. Überladen führt zu einer Verkürzung der Nutzungsdauer des Akkus.**
3. **Laden Sie den Akku bei Raumtemperatur zwischen 10 – 40 °C. Lassen Sie einen heißen Akku abkühlen, bevor Sie ihn laden.**
4. **Wenn Sie den Akku nicht benutzen, nehmen Sie ihn vom Werkzeug oder Ladegerät ab.**
5. **Der Akku muss geladen werden, wenn er lange Zeit (länger als sechs Monate) nicht benutzt wird.**

FUNKTIONSBESCHREIBUNG

⚠ VORSICHT: Vergewissern Sie sich vor der Durchführung von Einstellungen oder Funktionsprüfungen des Werkzeugs stets, dass das Werkzeug ausgeschaltet und der Akku abgenommen ist.

⚠ VORSICHT: Achten Sie beim Einsetzen des Akkus darauf, dass Sie sich nicht die Finger zwischen Staubsauger und Akku klemmen, wie in der Abbildung gezeigt. Einklemmen von Fingern kann Verletzungen verursachen.

► **Abb.1**

Anbringen und Abnehmen des Akkus

⚠ VORSICHT: Schalten Sie das Werkzeug stets aus, bevor Sie den Akku anbringen oder abnehmen.

⚠ VORSICHT: Halten Sie das Werkzeug und den Akku beim Anbringen oder Abnehmen des Akkus sicher fest. Wenn Sie das Werkzeug und den Akku nicht sicher festhalten, können sie Ihnen aus der Hand rutschen, was zu einer Beschädigung des Werkzeugs und des Akkus und zu Körperverletzungen führen kann.

Ziehen Sie den Akku zum Abnehmen vom Werkzeug ab, während Sie den Knopf an der Vorderseite des Akkus verschieben.

► **Abb.2:** 1. Rote Anzeige 2. Knopf 3. Akku

Richten Sie zum Anbringen des Akkus dessen Führungsfeder auf die Nut im Gehäuse aus, und schieben Sie den Akku hinein. Schieben Sie ihn vollständig ein, bis er mit einem leisen Klicken einrastet. Wenn Sie die rote Anzeige sehen können, wie in der Abbildung gezeigt, ist der Akku nicht vollständig verriegelt.

⚠ VORSICHT: Schieben Sie den Akku stets bis zum Anschlag ein, bis die rote Anzeige nicht mehr sichtbar ist. Anderenfalls kann er aus dem Werkzeug herausfallen und Sie oder umstehende Personen verletzen.

⚠ VORSICHT: Unterlassen Sie Gewaltanwendung beim Anbringen des Akkus. Falls der Akku nicht reibungslos hineingeleitet, ist er nicht richtig ausgerichtet.

Werkzeug/Akku-Schutzsystem

Das Werkzeug ist mit einem Werkzeug/Akku-Schutzsystem ausgestattet. Dieses System schaltet die Stromversorgung des Motors automatisch ab, um die Lebensdauer von Werkzeug und Akku zu verlängern. Das Werkzeug bleibt während des Betriebs automatisch stehen, wenn das Werkzeug oder der Akku einer der folgenden Bedingungen unterliegt.

Überlastung:

Das Werkzeug/der Akku wird auf eine Weise benutzt, die eine ungewöhnlich hohe Stromaufnahme bewirkt. Schalten Sie in dieser Situation das Werkzeug aus, und brechen Sie die Arbeit ab, die eine Überlastung des Werkzeugs verursacht hat. Schalten Sie dann das Werkzeug wieder ein, um neu zu starten.

Überhitzt:

Das Werkzeug/der Akku ist überhitzt. Lassen Sie das Werkzeug/den Akku in dieser Situation abkühlen, bevor Sie das Werkzeug wieder einschalten.

Niedrige Akkuspannung:

Die Akku-Restkapazität ist zu niedrig, und das Werkzeug funktioniert nicht. Nehmen Sie in dieser Situation den Akku ab, und laden Sie ihn auf.

Schutz gegen andere Ursachen:

Das Schutzsystem ist auch für andere Ursachen ausgelegt, die eine Beschädigung des Werkzeugs bewirken könnten, und ermöglicht automatisches Anhalten des Werkzeugs. Führen Sie alle folgenden Schritte aus, um die Ursachen zu beseitigen, wenn das Werkzeug zu einem vorübergehenden Stillstand oder Betriebsstopp gekommen ist.

1. Schalten Sie das Werkzeug aus und wieder ein, um es neu zu starten.
2. Laden Sie den/die Akku(s) auf, oder tauschen Sie ihn/sie gegen einen aufgeladenen Akku/aufgeladene Akkus aus.
3. Lassen Sie das Werkzeug und den/die Akku(s) abkühlen.

Falls die Wiederherstellung des Schutzsystems keine Besserung bringt, wenden Sie sich an Ihr lokales Makita-Servicecenter.

Anzeigen der Akku-Restkapazität

Nur für Akkus mit Anzeige

► **Abb.3:** 1. Anzeigelampen 2. Prüftaste

Drücken Sie die Prüftaste am Akku, um die Akku-Restkapazität anzuzeigen. Die Anzeigelampen leuchten wenige Sekunden lang auf.

Anzeigelampen			Restkapazität
Erleuchtet	Aus	Blinkend	
■ ■ ■ ■			75% bis 100%
■ ■ ■ □			50% bis 75%
■ ■ □ □			25% bis 50%
■ □ □ □			0% bis 25%
◻ □ □ □		◻ □ □ □	Den Akku aufladen.
■ ■ □ □		◻ □ □ □	Möglicherweise liegt eine Funktionsstörung im Akku vor.
◻ □ □ □		■ ■ □ □	

HINWEIS: Abhängig von den Benutzungsbedingungen und der Umgebungstemperatur kann die Anzeige geringfügig von der tatsächlichen Kapazität abweichen.

HINWEIS: Die erste (äußerste linke) Anzeigelampe blinkt, wenn das Akku-Schutzsystem aktiv ist.

Schalterfunktion

► **Abb.4:** 1. Saugkraft-Umschalttaste 2. EIN/AUS-Taste

Drücken Sie zum Einschalten des Staubsaugers einfach die EIN/AUS-Taste. Drücken Sie zum Ausschalten die EIN/AUS-Taste erneut.

Durch Drücken der Saugkraft-Umschalttaste können Sie die Saugkraft des Staubsaugers in vier Stufen umschalten. Mit jedem Drücken dieser Taste werden die Modi Leise/Normal/Hoch/Max in einem Zyklus wiederholt.

Stufe	Anzeige	Modus
1	☰	Leisemodus
2	☷	Normaldrehzahlmodus
3	☶	Hochdrehzahlmodus
4	☵	Maximaldrehzahlmodus

HINWEIS: Sie können die Saugkraft vor dem Einschalten des Staubsaugers ändern.

HINWEIS: Der Staubsauger beginnt den Betrieb mit der gleichen Saugkraft wie beim letzten Betrieb.

Einschalten der Lampe

⚠ VORSICHT: Blicken Sie nicht direkt in die Lampe oder die Lichtquelle.

Um die Lampe einzuschalten, drücken Sie die Saugkraft-Umschalttaste. Die Lampe erlischt nach ungefähr 10 Sekunden. Während des Betriebs des Staubsaugers leuchtet die Lampe. Die Lampe erlischt ungefähr 10 Sekunden nach dem Stoppen des Betriebs.

HINWEIS: Wenn die Akku-Restkapazität niedrig wird, beginnt die Lampe zu blinken. Der Zeitpunkt, zu dem die Lampe zu blinken beginnt, hängt von der Temperatur am Arbeitsplatz und dem Zustand des Akkus ab.

► **Abb.5:** 1. Saugkraft-Umschalttaste 2. EIN/AUS-Taste 3. Lampe

MONTAGE

⚠ VORSICHT: Vergewissern Sie sich vor der Ausführung von Arbeiten am Werkzeug stets, dass das Werkzeug ausgeschaltet und der Akku abgenommen ist.

Beschreibung der Teile

Sonderzubehör

Hochleistungsfilter, Strebe und Schwammfilter

► **Abb.6:** 1. Kapsel 2. Hochleistungsfilter 3. Strebe 4. Schwammfilter

Vorfilter oder Hochleistungsfilter und HEPA-Filter

► **Abb.7:** 1. Kapsel 2. Vorfilter 3. Hochleistungsfilter 4. HEPA-Filter

ANMERKUNG: Unterlegen Sie den Hochleistungsfilter nicht mit einem optionalen Filter (Vliestuch). Die Filter könnten sonst nicht aus dem Staubsauger entfernt werden.

HINWEIS: Installieren Sie keinen optionalen Filter (Vliestuch) zwischen HEPA-Filter und Vorfilter. Die Saugleistung kann sich verringern.

HINWEIS: Benutzen Sie immer den Hochleistungsfilter, der mit einer originalen Strebe umrahmt ist, wenn Sie ihn auf den HEPA-Filter aufsetzen.

► **Abb.8:** 1. Hochleistungsfilter 2. Strebe (konzipiert für Hochleistungsfilter)

Staubentleerung

⚠ VORSICHT: Leeren Sie den Staubsauger, bevor er voll wird oder die Saugleistung nachlässt.

⚠ VORSICHT: Entleeren Sie auch unbedingt den Staub im Staubsauger selbst. Anderenfalls kann sich der Filter zusetzen, oder der Motor kann beschädigt werden.

Um den am Filter in der Kapsel haftenden Staub abzuschütteln, klopfen Sie 4- bis 5-mal mit Ihrer Hand auf die Kapsel.

► **Abb.9:** 1. Kapsel

Richten Sie den Saugeinlass nach unten, drehen Sie die Kapsel in Richtung des Pfeils in der Abbildung, und ziehen Sie die Kapsel langsam und gerade ab.

► **Abb.10:** 1. Kapsel 2. Saugeinlass

HINWEIS: Halten Sie einen Müllsack unter die Kapsel, da beim Öffnen der Kapsel Staub herausfallen kann.

Entfernen Sie angesammelten Staub aus dem Innenraum der Kapsel und des Hochleistungsfilters.

► **Abb.11:** 1. Kapsel 2. Hochleistungsfilter

Drehen Sie den Hochleistungsfilter in Pfeilrichtung, um die Sicherungslippe von der Staubsaugereinheit zu lösen, und ziehen Sie dann den Filter ab.

► **Abb.12:** 1. Sicherungslippe

HINWEIS: Wenn Sie den Vorfilter verwenden, befolgen Sie auch das obige Verfahren.

Entleeren Sie den Feinstaub, und klopfen Sie den Hochleistungsfilter leicht aus, um Staub abzuschütteln.

Zusammenbau

Schließen Sie den Hochleistungsfilter an. Drehen Sie dabei den Hochleistungsfilter so, dass die Sicherungslippe fest in der Staubsaugereinheit verankert ist.

► **Abb.13:** 1. Hochleistungsfilter

► **Abb.14:** 1. Sicherungslippe

ANMERKUNG: Vergewissern Sie sich vor der Benutzung des Staubsaugers stets, dass der Hochleistungsfilter korrekt eingesetzt ist. Falls er nicht korrekt eingesetzt ist, dringt Staub in das Motorgehäuse ein und verursacht eine Motorstörung. Falls das Problem wie später beschrieben auftritt, ist der Hochleistungsfilter nicht korrekt eingesetzt. Setzen Sie ihn korrekt ein, um das Problem zu beheben.

Bringen Sie die Kapsel an. Richten Sie die Markierung an der Kapsel auf die Markierung am Handgriff aus, und drehen Sie dann die Kapsel fest in Pfeilrichtung, bis sie gesichert ist.

► **Abb.15:** 1. Markierung 2. Handgriff 3. Kapsel

HINWEIS: Entfernen Sie den Staub stets rechtzeitig, da die Saugleistung verringert wird, wenn sich zu viel Staub im Staubsauger befindet.

Problemeispiele

Die Sicherungslippe des Hochleistungsfilters ist nicht fest in der Nut des Staubsaugergehäuses verankert.

- **Abb.16:** 1. Sicherungslippe 2. Nut des Staubsaugergehäuses

Anbringen oder Abnehmen von Strebe/HEPA-Filter

Sonderzubehör

Für Strebe und Schwammfilter

Um die Strebe zu entfernen, drücken Sie den unteren Teil der Säulen der Strebe mit Ihren Fingern hoch, und lösen Sie ihre Nut von dem Vorsprung am Staubsauger. Entfernen Sie anschließend den Schwammfilter.

- **Abb.17:** 1. Strebe 2. Schwammfilter

Zum Anbringen richten Sie die Nuten an der Strebe auf den Vorsprung am Staubsauger aus, und drücken Sie die Strebe hinein, bis sie einrastet.

Führen Sie den Schwammfilter zwischen den Säulen ein, und setzen Sie ihn in seine Ausgangsposition ein.

Für den HEPA-Filter

Wenn Sie den HEPA-Filter einsetzen, richten Sie die Nut des HEPA-Filters auf den Vorsprung des Staubsaugers aus. Setzen Sie dann den Vorfilter oder den Hochleistungsfilter auf den HEPA-Filter, und drehen Sie ihn, um ihn zu sichern. Zum Abnehmen ist das Anbringungsverfahren umgekehrt anzuwenden.

- **Abb.18:** 1. HEPA-Filter 2. Vorfilter

- **Abb.19:** 1. HEPA-Filter 2. Hochleistungsfilter

BETRIEB

⚠ VORSICHT: Bringen Sie Ihr Gesicht beim Betrieb des Staubsaugers nicht in die Nähe der Ventilationsöffnung. Falls Fremdkörper in die Augen von Personen oder Tieren gelangen werden, kann dies zu Verletzungen führen.

Montieren und Demontieren von Saugergeräteaufsätzen

⚠ VORSICHT: Prüfen Sie nach der Anbringung von Aufsätzen, ob sie sicher angebracht sind. Falls die Aufsätze unvollständig angebracht sind, können sie sich lösen und Personenschäden verursachen.

⚠ VORSICHT: Achten Sie beim Abnehmen des Aufsatzes darauf, dass Sie mit Ihrer Hand nicht gegen eine Wand usw. schlagen.

Bei Verwendung des Aufsatzes mit Verriegelungsfunktion

Um den Aufsatz anzubringen, führen Sie ihn in den Saugeinlass des Staubsaugers ein, bis er einrastet. Vergewissern Sie sich, dass der Aufsatz verriegelt ist.

- **Abb.20:** 1. Saugeinlass 2. Aufsatz mit Verriegelungsfunktion 3. Raste 4. Entriegelungsknopf

ANMERKUNG: Achten Sie beim Anbringen des Aufsatzes mit Verriegelungsfunktion darauf, dass der Entriegelungsknopf am Staubsauger auf die Raste am Aufsatz ausgerichtet ist. Falls sie nicht ausgerichtet sind, wird der Aufsatz nicht verriegelt und kann sich vom Staubsauger lösen.

Zum Abnehmen des Aufsatzes ziehen Sie ihn, während Sie den Entriegelungsknopf drücken.

- **Abb.21:** 1. Entriegelungsknopf 2. Aufsatz mit Verriegelungsfunktion

Bei Verwendung des Aufsatzes ohne Verriegelungsfunktion

⚠ VORSICHT: Um den Aufsatz ohne Verriegelungsfunktion anzuschließen, führen Sie ihn unter gleichzeitigem Drehen in Pfeilrichtung ein, um einwandfreie Verbindung während des Gebrauchs zu gewährleisten. Um den Aufsatz abzutrennen, ziehen Sie ihn unter gleichzeitigem Drehen in Pfeilrichtung ab. Wird der Aufsatz in die entgegengesetzte Richtung gedreht, kann sich die Kapsel lockern.

- **Abb.22**

Reinigen (Saugen)

Düse

Bringen Sie die Düse an, um Tische, Pulte, Möbelstücke usw. abzusaugen. Die Düse lässt sich leicht aufstecken.

- **Abb.23:** 1. Düse

Düse + Verlängerungsrohr (gerades Rohr)

Das Verlängerungsrohr wird zwischen Düse und Staubsauger angebracht. Diese Anordnung ist praktisch, um den Fußboden im Stehen zu saugen.

- **Abb.24:** 1. Staubsauger-Hauptteil
2. Verlängerungsrohr (gerades Rohr)
3. Düse

Spitzdüse

Bringen Sie die Spitzdüse an, um Ecken und Ritzen eines Autos oder Möbelstücks zu reinigen.

- **Abb.25:** 1. Spitzdüse 2. Staubsauger-Hauptteil

Sie können die Spitzdüse im Düsenhalter aufbewahren.

- **Abb.26:** 1. Düsenhalter 2. Spitzdüse

⚠ VORSICHT: Achten Sie darauf, dass keine Finger zwischen der Spitzdüse und dem Düsenhalter eingeklemmt werden. Einklemmen von Fingern kann Verletzungen verursachen.

Spitzdüse + Verlängerungsrohr (gerades Rohr)

Benutzen Sie diese Anordnung in engen Zwischenräumen, in die der Staubsauger selbst nicht hineinpasst, oder an schwer erreichbaren hohen Orten.

- **Abb.27:** 1. Spitzdüse 2. Verlängerungsrohr (gerades Rohr) 3. Staubsauger-Hauptteil

Staubsaugen ohne Düse

Sie können Pulver und Staub ohne Düse aufsaugen.

► **Abb.28**

Um Staub im Stehen von einem Fußboden aufzusaugen, ist es praktisch, das Verlängerungsrohr am Staubsauger anzubringen.

► **Abb.29:** 1. Verlängerungsrohr (gerades Rohr)

WARTUNG

⚠ VORSICHT: Vergewissern Sie sich vor der Durchführung von Inspektions- oder Wartungsarbeiten stets, dass das Werkzeug ausgeschaltet und der Akku abgenommen ist.

Um die SICHERHEIT und ZUVERLÄSSIGKEIT dieses Produkts zu gewährleisten, sollten Reparaturen und andere Wartungs- oder Einstellarbeiten nur von Makita-Vertragswerkstätten oder Makita-Kundendienstzentren unter ausschließlicher Verwendung von Makita-Originalersatzteilen ausgeführt werden.

Nach dem Gebrauch

⚠ VORSICHT: Wird der Staubsauger ohne irgendeine Stütze gegen eine Wand gelehnt, kann er umkippen, was zu Personenschäden oder einer Beschädigung des Staubsaugers führen kann.

► **Abb.30**

Reinigen

⚠ VORSICHT: Reinigen Sie die Filter, wenn sie verstopft sind. Fortgesetzter Gebrauch im verstopften Zustand kann zu Erhitzung oder Brand führen.

ANMERKUNG: Verwenden Sie auf keinen Fall Benzin, Waschbenzin, Verdünnern, Alkohol oder dergleichen. Solche Mittel können Verfärbung, Verformung oder Rissbildung verursachen.

ANMERKUNG: Blasen Sie am Staubsauger und an den Filtern haftenden Staub nicht mit einem Druckluftspray ab. Dadurch wird der Staub in das Gehäuse geblasen und ein Ausfall verursacht.

ANMERKUNG: Nachdem Sie die Filter gewaschen haben, lassen Sie sie vor Gebrauch gründlich trocknen. Unzureichend getrocknete Filter können schlechte Saugleistung verursachen und die Lebensdauer des Motors verkürzen.

ANMERKUNG: Nachdem Sie die Filter und den Schwammfilter gereinigt haben, setzen Sie sie vor Gebrauch unbedingt wieder ein. Wird der Staubsauger ohne Filter und Schwammfilter benutzt, kann Staub in das Motorgehäuse eindringen und eine Funktionsstörung verursachen.

Staubsauger-Hauptteil

Wischen Sie die Außenseite (Staubsauger-Hauptteil) des Staubsaugers von Zeit zu Zeit mit einem mit Seifenwasser getränkten Tuch ab.

Putzen Sie auch die Saugöffnung und den Filtermontagebereich aus.

► **Abb.31**

Hochleistungsfilter

Waschen Sie den Filter in Seifenwasser aus, wenn er mit Staub zugesetzt ist und die Saugleistung nachlässt. Lassen Sie ihn vor der Benutzung gründlich trocknen.

► **Abb.32**

HEPA-Filter

Sonderzubehör

ANMERKUNG: Unterlassen Sie Abreiben oder Abkratzen des HEPA-Filters mit harten Gegenständen, wie z. B. einer Bürste und einer Kratze.

Ein verstopfter HEPA-Filter verursacht schlechte Saugleistung. Säubern Sie den Filter von Zeit zu Zeit.

Waschen Sie den HEPA-Filter gelegentlich in Wasser aus, spülen Sie ihn ab, und lassen Sie ihn vor Gebrauch im Schatten trocknen. Waschen Sie den Filter niemals in einer Waschmaschine.

► **Abb.33**

Schwammfilter

Wenn der Schwammfilter verschmutzt wird, reinigen Sie ihn wie folgt.

1. Entfernen Sie Filter, die die Strebe abdecken.
2. Ziehen Sie den Schwammfilter zwischen den Säulen heraus.
3. Reinigen Sie den Schwammfilter durch Ausklopfen oder Waschen. Wenn Sie ihn waschen, lassen Sie ihn vor Gebrauch gründlich trocknen.
4. Führen Sie den Schwammfilter zwischen den Säulen ein, und setzen Sie ihn in seine Ausgangsposition ein. Vergewissern Sie sich, dass die Unterkanten der Säulen den Schwammfilter niederhalten, und dass kein Spalt zwischen dem Schwammfilter und der Saugöffnung vorhanden ist.

► **Abb.34:** 1. Schwammfilter 2. Unterkante der Säule

Wandhalterung für Akku-Staubsauger

Sonderzubehör

HINWEIS: Die Schraube für die Montage des Halters ist nicht im Lieferumfang enthalten. Besorgen Sie eine für das Einschraubmaterial passende Schraube.

Befestigen Sie die Wandhalterung für Akku-Staubsauger an einer festen Wand, einem Träger oder einer Säule aus Holz, an der die Wandhalterung für Akku-Staubsauger einwandfrei gesichert werden kann. Vergewissern Sie sich vor dem Aufhängen des Staubsaugers immer, dass die Wandhalterung für Akku-Staubsauger sicher befestigt ist.

► **Abb.35:** 1. Wandhalterung für Akku-Staubsauger

⚠ VORSICHT: Unterlassen Sie gewaltsames Aufhängen des Staubsaugers an der Wandhalterung oder Aufhängen anderer Geräte außer dem Staubsauger.

Fehlersuche

Bevor Sie eine Reparatur anfordern, überprüfen Sie bitte die folgenden Punkte.

Symptom	Prüfbereich	Abhilfemaßnahmen
Schwache Saugkraft	Ist die Kapsel mit Staub gefüllt?	Entleeren Sie den Staub aus der Kapsel.
	Ist der Filter verstopft?	Reinigen oder waschen Sie den Filter.
	Ist der Akku entladen?	Laden Sie den Akku auf.
Gerät funktioniert nicht	Ist der Akku entladen?	Laden Sie den Akku auf.
Geräusche und Vibrationen	Ist der Filter verstopft?	Reinigen oder waschen Sie den Filter.
	Ist die Düse, das Rohr oder der Saugeinlass des Gerätes verstopft?	Entfernen Sie die feststehenden Gegenstände in der Düse, dem Rohr oder dem Saugeinlass des Gerätes.
	Ist die Düse/der Rohreinlass blockiert?	Blockieren Sie nicht die Düse/den Rohreinlass.

⚠ VORSICHT: Versuchen Sie nicht, den Staubsauger selbst zu reparieren.

SONDERZUBEHÖR

⚠ VORSICHT: Die folgenden Zubehörteile oder Vorrichtungen werden für den Einsatz mit dem in dieser Anleitung beschriebenen Makita-Werkzeug empfohlen. Die Verwendung anderer Zubehörteile oder Vorrichtungen kann eine Verletzungsgefahr darstellen. Verwenden Sie Zubehörteile oder Vorrichtungen nur für ihren vorgesehenen Zweck.

Wenn Sie weitere Einzelheiten bezüglich dieser Zubehörteile benötigen, wenden Sie sich bitte an Ihre Makita-Kundendienststelle.

- Verlängerungsrohr (gerades Rohr)
- Düse
- Düse für Teppich
- Regalbürste
- Spitzdüse
- Rundbürste
- Flexibler Schlauch
- Filter (Vliestuch)
- Vorfilter
- Hochleistungsfilter
- HEPA-Filter
- Sitzdüse
- Spaltendüse
- Wandhalterung für Akku-Staubsauger
- Zykloneinheit
- Zyklonaufsatz
- Werkzeugtasche
- Original-Makita-Akku und -Ladegerät

HINWEIS: Manche Teile in der Liste können als Standardzubehör im Werkzeugsatz enthalten sein. Sie können von Land zu Land unterschiedlich sein.

Zyklonaufsatz

Sonderzubehör

- **Abb.36:** 1. Entriegelungsknopf 2. Raste
3. Verlängerungsrohr (gerades Rohr)
4. Zyklonaufsatz 5. Saugeinlass

Info zum Zyklonaufsatz

Wird der Staubsauger mit installiertem Zyklonaufsatz verwendet, so wird die Staubmenge, die in die Kapsel gelangt, reduziert, was dazu beiträgt, eine Abschwächung der Saugkraft zu verhindern. Außerdem wird die Reinigung nach dem Gebrauch ebenfalls vereinfacht.

⚠ VORSICHT: Vergewissern Sie sich vor der Ausführung von Arbeiten am Werkzeug stets, dass das Werkzeug ausgeschaltet und der Akku abgenommen ist. Wird der Akku eingesetzt gelassen, kann der Staubsauger unerwartet anlaufen, was zu Verletzungen führen kann.

⚠ VORSICHT: Reinigen Sie den Netzfilter des Zyklonaufsatzes und die Filter der Staubsaugereinheit, wenn sie verstopft werden. Fortgesetzter Gebrauch im verstopften Zustand kann zu Erhitzung oder Rauchbildung führen.

ANMERKUNG: Verwenden Sie den Staubsauger bei angebrachtem Zyklonaufsatz nicht im horizontalen oder nach oben gerichteten Zustand. Anderenfalls kann der Netzfilter verstopft werden.

ANMERKUNG: Benutzen Sie den Staubsauger selbst bei Verwendung des Zyklonaufsatzes immer mit installierten Filtern. Wird der Staubsauger ohne die Filter benutzt, kann es zu einer Funktionsstörung des Motors kommen.

HINWEIS: Stellen Sie vor Gebrauch sicher, dass Zyklonaufsatz, Staubsauger und Verlängerungsrohr (gerades Rohr) einwandfrei verriegelt sind.

HINWEIS: Entleeren Sie den Staubsammelbehälter des Zyklonaufsatzes und die Kapsel des Staubsaugers, wenn Staub sich angesammelt hat. Fortgesetzter Gebrauch führt zu einer Abschwächung der Saugkraft.

HINWEIS: Sie können den Zyklonaufsatz auch ohne Verriegelungsfunktion verwenden.

HINWEIS: Nehmen Sie zum Montieren oder Demontieren des Zyklonaufsatzes auf den Abschnitt „Montieren und Demontieren von Sauggeräteaufsätzen“ Bezug.

Staubentleerung

Wenn Staub sich bis zur Voll-Linie des Staubsammelbehälters angesammelt hat, entsorgen Sie den Staub nach dem folgenden Verfahren.

1. Halten Sie den Staubsammelbehälter mit festem Griff, während Sie die zwei Knöpfe gedrückt halten, und entfernen Sie den Staubsammelbehälter.

► **Abb.37:** 1. Voll-Linie 2. Staubsammelbehälter
3. Knopf (zwei Stellen) 4. Netzfilter

2. Entsorgen Sie den Staub im Staubsammelbehälter, und entfernen Sie jeglichen an der Oberfläche des Netzfilters haftenden Staub und Pulver.

3. Führen Sie den Staubsammelbehälter vollständig ein, bis die zwei Knöpfe mit einem Klicken einrasten.

► **Abb.38:** 1. Staubsammelbehälter 2. Knopf (zwei Stellen)

⚠ VORSICHT: Achten Sie beim Zusammenbauen des Staubsammelbehälters darauf, dass Sie sich nicht die Finger klemmen.

HINWEIS: Stellen Sie vor dem erneuten Starten des Betriebs sicher, dass Zyklonaufsatz, Staubsauger und Verlängerungsrohr (gerades Rohr) einwandfrei verriegelt sind.

HINWEIS: Falls die Saugkraft selbst nach der Entsorgung des Staubs und der Reinigung des Netzfilters nicht wiederhergestellt wird, prüfen Sie, ob Staub sich in der Kapsel des Staubsaugers angesammelt hat, oder ob eine Verstopfung aufgetreten ist.

HINWEIS: Beim Entsorgen von dem Zyklonaufsatz kann Staub hochfliegen. Achten Sie darauf, dass kein Staub in Ihre Augen gelangt.

Reinigen

⚠ VORSICHT: Trocknen Sie den Zyklonaufsatz nach dem Waschen gründlich ab, bevor Sie ihn benutzen. Unzureichend getrocknete Komponenten können einen elektrischen Schlag oder eine Beschädigung des Gerätes verursachen.

Wenn der Staubsammelbehälter schmutzig wird oder der Netzfilter verstopft ist, entfernen Sie die Teile, und waschen Sie sie mit Wasser. (Angaben zum Demontageverfahren finden Sie unter „Staubentleerung“.)

Lassen Sie die Teile gründlich trocknen, bevor Sie sie wieder installieren und benutzen.

► **Abb.39:** 1. Staubsammelbehälter 2. Netzfilter

Wenn der Netzfilter stark verschmutzt wird, reinigen Sie ihn nach den folgenden Verfahren.

1. Drehen Sie den Netzfilter in Pfeilrichtung, und entfernen Sie ihn bei entriegelten Rasten.

► **Abb.40:** 1. Netzfilter 2. Raste

2. Entfernen Sie den Staub am Netzfilter, und waschen Sie ihn dann mit Wasser. Lassen Sie ihn danach gründlich trocknen.

3. Führen Sie den Netzfilter in die Basis ein, während die Rasten auf den Anschluss ausgerichtet sind. Drehen Sie den Netzfilter in Pfeilrichtung, bis die Rasten mit einem Klick einrasten. Vergewissern Sie sich, dass der Netzfilter sicher installiert ist.

► **Abb.41:** 1. Netzfilter 2. Raste 3. Anschluss

Makita Europe N.V. Jan-Baptist Vinkstraat 2,
3070 Kortenberg, Belgium

Makita Corporation 3-11-8, Sumiyoshi-cho,
Anjo, Aichi 446-8502 Japan

www.makita.com

885A25-972
EN, PL, HU, SK,
CS, UK, RO, DE
20221114